



**NESPA**  
TILED SPAS

# **Production Booklet**

**for**

## **Ritz Carlton Lakeshore Spa**

2800 Richter Ave. Suite C, Oroville, CA 95965 • **voice:** (530)534-9910  
**fax:** (530)534-9915 • **email:** sales@tiledspas.com • **website:** www.tiledspas.com



## RECOMMENDED MAINTENANCE

### *Please Note:*

These are only recommended guidelines to care for a Nespa all tiled spa. Local codes may require additional procedures, therefore consult with a pool professional that is LA county Health Department certified for more information on local codes and requirements.

### ***SPA SURFACE***

Your spa tile is acid resistant and frost-proof. The Tile does not absorb germs or algae. Tile does not stain and is very easy to clean. Color does not fade or lose its luster. All grouts are epoxy based and are extremely durable. To remove scum line use soft nylon brush and small amounts of biodegradable soaps. Do not use abrasive brushes or chemicals.

### **MAINTENANCE**

#### **A. CHEMICALS:**

- 1) It is important to maintain a chlorine residual of 2 PPM in the spa. That residual can be provided by chlorine or bromine.
- 2) It is recommended to use Bromine or dichlor (granular) forms of chlorine. If bromine Tabs are used we suggest floating or inline dispenser.
- 3) Never use acid to lower Ph in the tile spa.
- 4) Never use trichlor chlorine (1" or 3") tablets in the Nespa spas.
- 5) Never place tablets in skimmer basket.

#### **B. DRAINING THE SPA:**

- 1) It is recommended to drain the spa at least once every 2 months depending on bath load and water clarity.
- 2) The spa should be drained through valve exiting re-circulation pump in the spa equipment room or sump pump.
- 3) Note: Use caution to drain spa in the winter months or rainy season when water table is at its highest. It is possible for the spa to float due to hydraulic pressure from surrounding water table. We advise that you consult with your local spa specialist prior to draining the spa.

#### **C. SPA EQUIPMENT:**

- 1) Clean filter cartridge at least once every month, or when needed; i.e., if water clarity does not improve after several days.
- 2) Keep area free and clear from leaves and debris build-up.
- 3) Keep area free and clear from flooding.

#### **D. SPA LIGHT:**

- 1) Spa light has to be on GFCI circuit. It is controlled at spa side with ON/OFF.

#### **E. TILE SERVICING:**

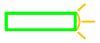
- 1) Contact manufacture when servicing tile or grout. @ (530) 534-9910

WATERPROOF SKID SUPPORT STRUCTURE ATTACHED TO SPA AT NESPA FACTORY



\*SKIDS SUPPLIED BY NESPA

**LIGHT NICHE**



LED LV LIGHT, 12 VOLT, U.L. APPROVED

**SIDEWALL SUCTION**



6" Round Hockey Puck AquaStar 6HPHxxx Sumpless Suction Outlet Floor 177 GPM Wall 122 GPM Complies w/ ANSI / ASME A112.19.8 & NSF / ANSI 16-2011

**EQUALIZER**



6" Round Hockey Puck AquaStar 6HPHxxx Sumpless Suction Outlet Floor 177 GPM Wall 122 GPM Complies w/ ANSI / ASME A112.19.8 & NSF / ANSI 16-2011

**SKIMMER**



HAYWARD SP-1084 SURFACE SKIMMER W/ EQUALIZERS, NSF / ANSI 50 - 2012

**JET**

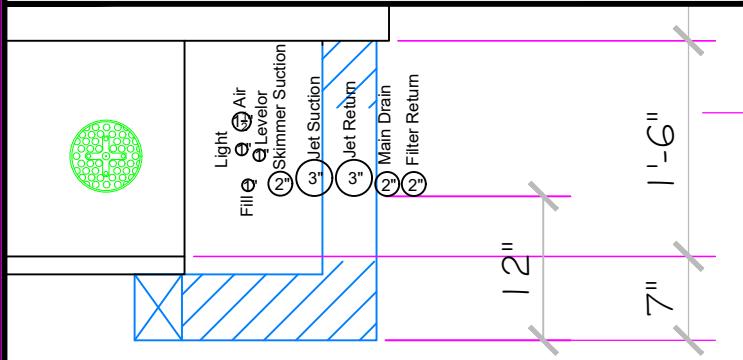
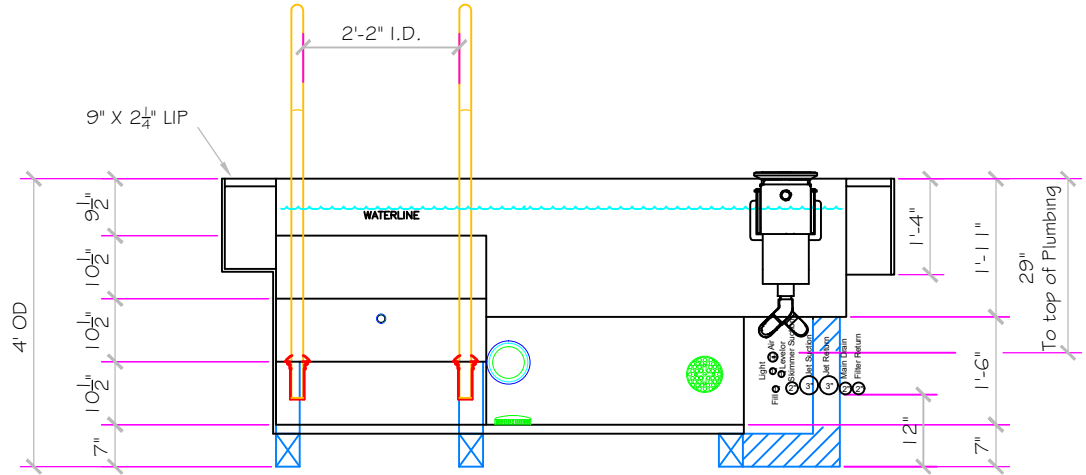
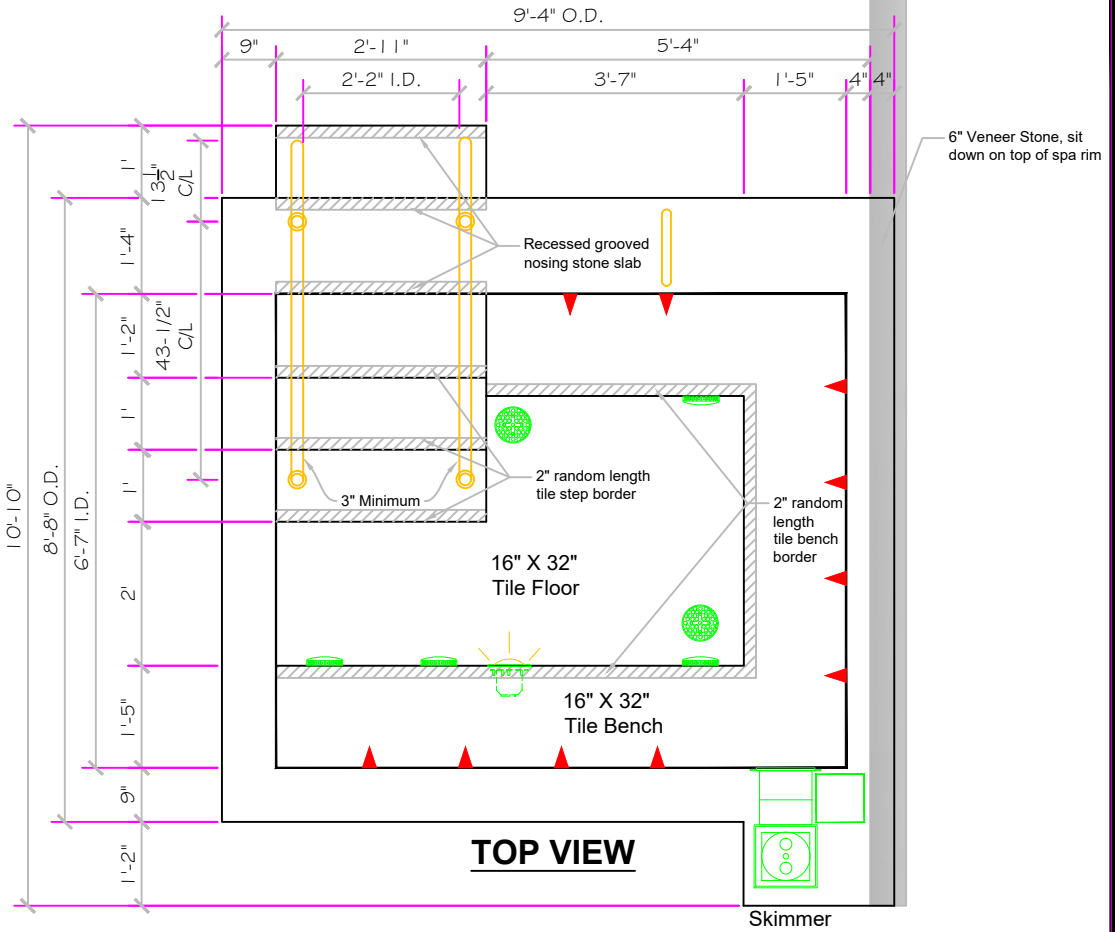
HYDRO INLETS 1-1/2" WATER - 1-1/2" AIR HYDROAIR #10-5100 COMPLIES W/ ANSI CODE ASME A112.19.8-07 UL APPROVED

**RETURN**

INLET FITTINGS 1-1/2" WALL TYPE W/ EYEBALL HYDROAIR #10-3500 65 GPM MAX COMPLIES W/ ANSI CODE ASME A112.19.8-07 UL APPROVED

**FILL**

INLET FITTINGS 1-1/2" WALL TYPE W/ EYEBALL HYDROAIR #10-3500 COMPLIES W/ ANSI CODE ASME A112.19.8-07 UL APPROVED



**APPROVED**  
As-Built

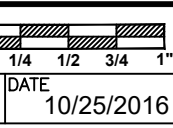
ALL DIMENSIONS SUBJECT TO 1/4" TOLERANCES

**NESPA ENTERPRISES INC.**  
2800 Richter Ave. Suite C Oroville, CA 95966  
Office: (530) 534-9910 Fax: (530) 534-9915  
E-Mail: [jim@tiledspas.com](mailto:jim@tiledspas.com) Web Site: [www.tiledspas.com](http://www.tiledspas.com)



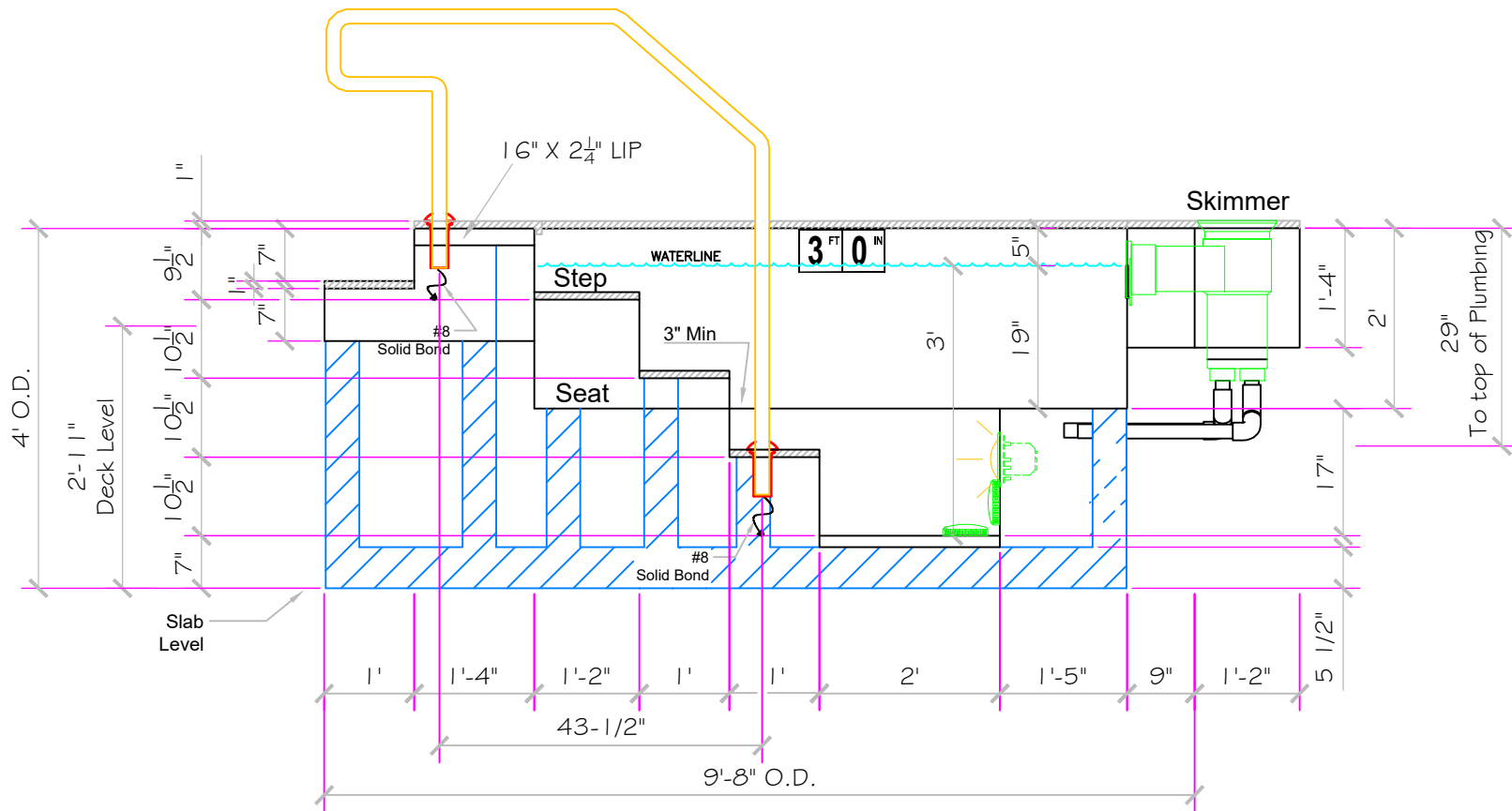
If printing as a PDF:  
Page Scaling:  None     
DWG NAME: RITZ CARLTON SHOP

SCALE: 3/8" = 1"  
DATE: 10/25/2016



DWG TYPE: SD  
SHEET: PAGE 1 OF 8

These drawings, concepts, and details contained herein are the original proprietary designs of NESPA ENTERPRISES INC., developed over many years of experience in the industry and as such are protected by the copyright laws of the United States Government. Reproduction of any of the above without written permission to do so by NESPA ENTERPRISES INC., is illegal.



**SOUTH VIEW**

**APPROVED**

As-Built

ALL DIMENSIONS SUBJECT TO 1/4" TOLERANCES

These drawings, concepts, and details contained herein are the original proprietary designs of **NESPA ENTERPRISES INC.**, developed over many years of experience in the industry and as such are protected by the copyright laws of the United States Government. Reproduction of any of the above without written permission to do so by **NESPA ENTERPRISES INC.**, is illegal.

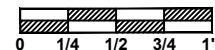
**NESPA ENTERPRISES INC.**  
 2800 Richter Ave. Ste. C Oroville, CA 95966  
 Office: (530) 534-9910 Fax: (530) 534-9915  
 E-Mail: [jim@tiledspas.com](mailto:jim@tiledspas.com) Web Site: [www.tiledspas.com](http://www.tiledspas.com)



If printing as a PDF:

Page Scaling: None

SCALE  
 1/2" = 1'

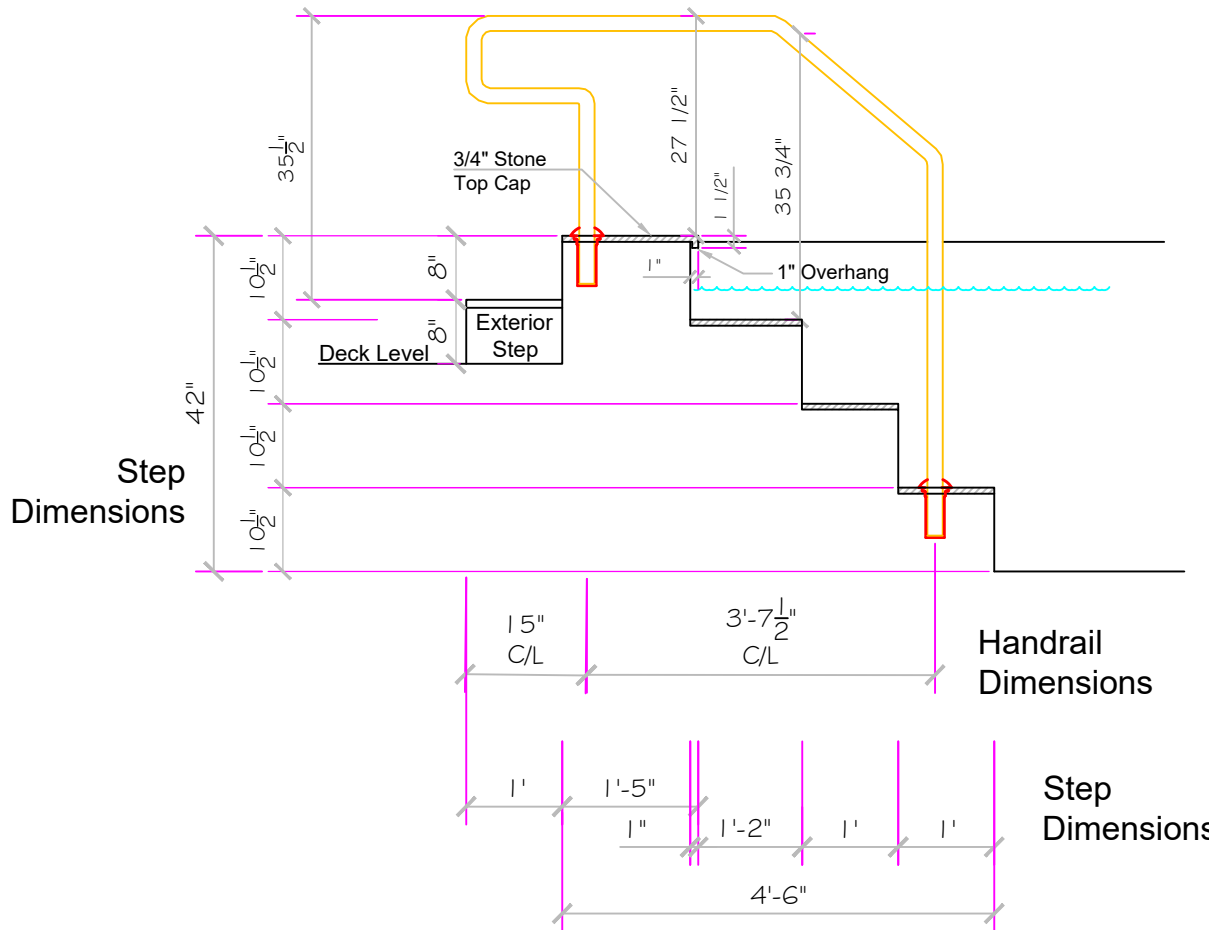


DWG TYPE  
 South View

DWG NAME  
 RITZ CARLTON SHOP

DATE  
 10/25/2016

SHEET  
 PAGE 2 OF 8



NOTE: Fabricator to adjust riser heights for tile thickness

## HANDRAIL DETAIL

**APPROVED**

As-Built

ALL DIMENSIONS SUBJECT TO 1/4" TOLERANCES

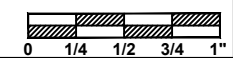
These drawings, concepts, and details contained herein are the original proprietary designs of **NESPA ENTERPRISES INC.**, developed over many years of experience in the industry and as such are protected by the copyright laws of the United States Government. Reproduction of any of the above without written permission to do so by **NESPA ENTERPRISES INC.**, is illegal.

**NESPA ENTERPRISES INC.**  
 2800 Richter Ave. Ste. C Oroville, CA 95966  
 Office: (530) 534-9910 Fax: (530) 534-9915  
 E-Mail: [jim@tiledspas.com](mailto:jim@tiledspas.com) Web Site: [www.tiledspas.com](http://www.tiledspas.com)



If printing as a PDF:  
 Page Scaling:

SCALE  
 1/2" = 1'



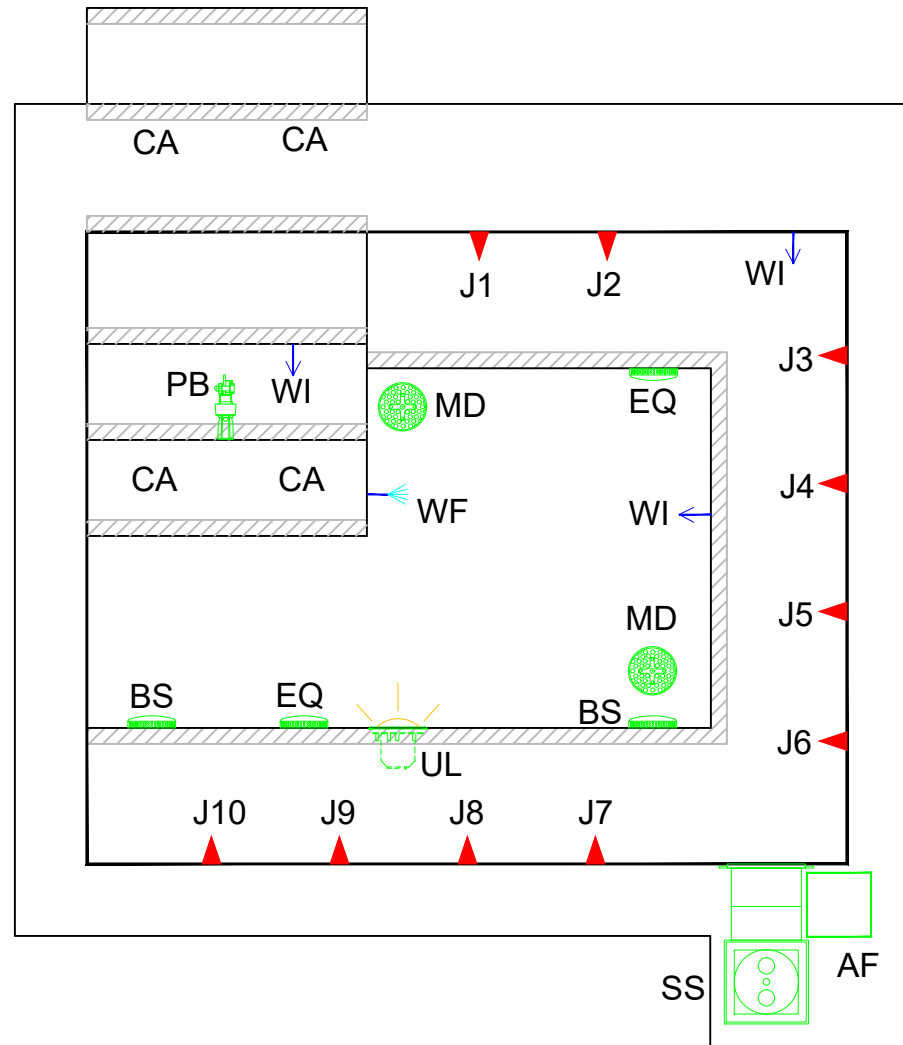
DWG NAME RITZ CARLTON SHOP

DATE 10/29/2016

DWG TYPE Handrail Detail  
 SHEET PAGE 3 OF 8

## POOL PIPING LEGEND

- SS = SURFACE SKIMMER: HAYWARD  
SP-1084, AUTOMATIC w/ EQUALIZER
- EQ = EQUALIZER: AQUASTAR 6HPHAxxx,  
6" ROUND HOCKEY PUCK SUMPLESS  
SUCTION OUTLET, FLOOR - 177 GPM,  
WALL - 122 GPM. V.G.B.APPROVED.
- BS = BOOSTER SUCTION: AQUASTAR 6HPHAxxx,  
6" ROUND HOCKEY PUCK SUMPLESS  
SUCTION OUTLET, FLOOR - 177 GPM,  
WALL - 122 GPM. V.G.B.APPROVED.
- MD = MAIN DRAIN: AQUASTAR 6HPHAxxx,  
6" ROUND HOCKEY PUCK SUMPLESS  
SUCTION OUTLET, FLOOR - 177 GPM,  
WALL - 122 GPM. V.G.B.APPROVED.
- J# = JETS: HYDROAIR 10-5100, 1-1/2" WATER,  
1-1/2" AIR.
- WI = WATER INLETS: HYDROAIR 10-3500,  
1-1/2" WALL TYPE w/ EYEBALL.
- AF = AUTOFILL SENSOR:  
TO BE MOUNTED BY NESPA
- UL = LIGHT NICHE: SPA BRIGHT,  
120 V, 100 WATT, 50' CORD, U.L. APPROVED
- PB = POOL BOND: PERMA-CAST - PB-2008
- CA = CUP ANCHOR: PERMA-CAST -  
6" BIG BOY SOCKET -  
USES PW-4C WEDGE



## PLUMBING LAYOUT

**APPROVED**  
As-Built

ALL DIMENSIONS SUBJECT TO 1/4" TOLERANCES

These drawings, concepts, and details contained herein are the original proprietary designs of **NESPA ENTERPRISES INC.**, developed over many years of experience in the industry and as such are protected by the copyright laws of the United States Government. Reproduction of any of the above without written permission to do so by **NESPA ENTERPRISES INC.**, is illegal.

### NESPA ENTERPRISES INC.

2800 Richter Ave. Ste. C Oroville, CA 95966

Office: (530) 534-9910

Fax: (530) 534-9915

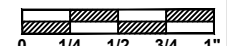
E-Mail: [jim@tiledspas.com](mailto:jim@tiledspas.com) Web Site: [www.tiledspas.com](http://www.tiledspas.com)



If printing as a PDF:

Page Scaling: None

SCALE  
1/2" = 1'

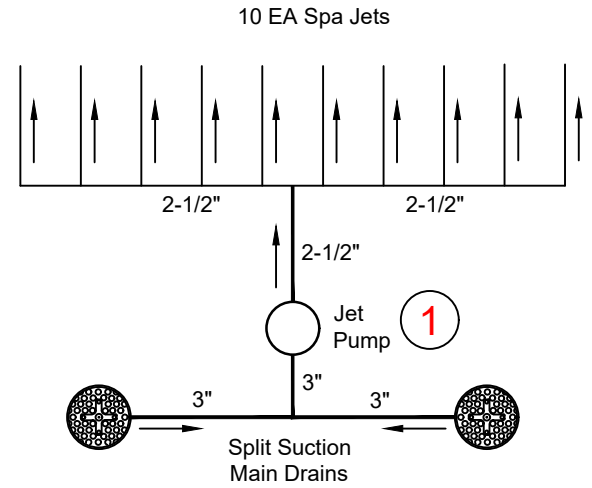
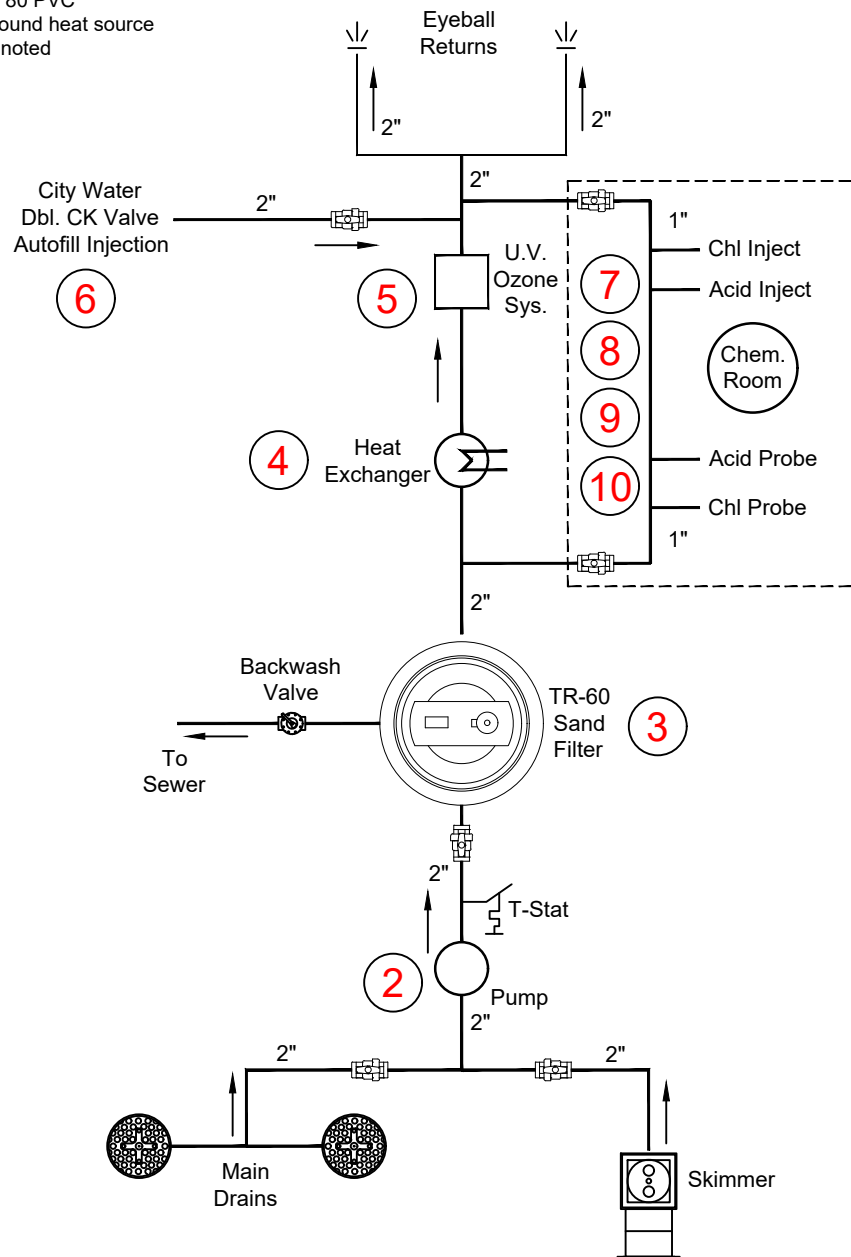


DWG NAME RITZ CARLTON SHOP

DATE  
10/29/2016

DWG TYPE  
Plumbing Layout  
SHEET  
PAGE 4 OF 8

NOTE:  
 Circulation System  
 All piping Sch 80 PVC  
 Use CPUC around heat source  
 Pipe sizes as noted



**SPA EQUIPMENT**

1. BOOSTER PUMP - PENTAIR WHISPERFLOW XF - 3HP
2. CIRCULATION PUMP - PENTAIR INTELLIFLO 2 VST
3. FILTER AND INFLUENT PRESSURE GAUGE - PENTAIR TR-40 SAND FILTER W/ VITROCLEAN
4. HEAT EXCHANGER - AICO B-LINE - MODEL #B-180
5. ECLIPSE 10 DELZONE SOLAR ECLIPSE W/ UV & OZONE SYSTEM
6. 1" POTABLE WATER SUPPLY WITH TESTABLE BACKFLOW PREVENTER
7. CHEMICAL CONTROL - CHEMTROL MODEL #250, ORP AND Ph CONTROL
8. CHEMICAL PUMPS - STENNER MODEL #45MHP10
9. CHLORINE TANKS - CHEMTAINER MODEL #TC2435DC DOUBLE CONTAINMENT
10. ACID TANK - 5 GAL. CBY INSIDE DOUBLE CONTAINMENT TANK HDPE
11. CONTROL SYSTEM - PENTAIR COMPOOL MODEL #LX-80 W/ LOAD CENTER AND ESO-2 EMERGENCY SHUTOFF

**APPROVED**  
 As-Built

ALL DIMENSIONS SUBJECT TO 1/4" TOLERANCES

These drawings, concepts, and details contained herein are the original proprietary designs of **NESPA ENTERPRISES INC.**, developed over many years of experience in the industry and as such are protected by the copyright laws of the United States Government. Reproduction of any of the above without written permission to do so by **NESPA ENTERPRISES INC.**, is illegal.

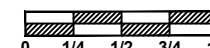
**NESPA ENTERPRISES INC.**  
 2800 Richter Ave. Ste. C Oroville, CA 95966  
 Office: (530) 534-9910 Fax: (530) 534-9915  
 E-Mail: [jim@tiledspas.com](mailto:jim@tiledspas.com) Web Site: [www.tiledspas.com](http://www.tiledspas.com)



If printing as a PDF:

Page Scaling:

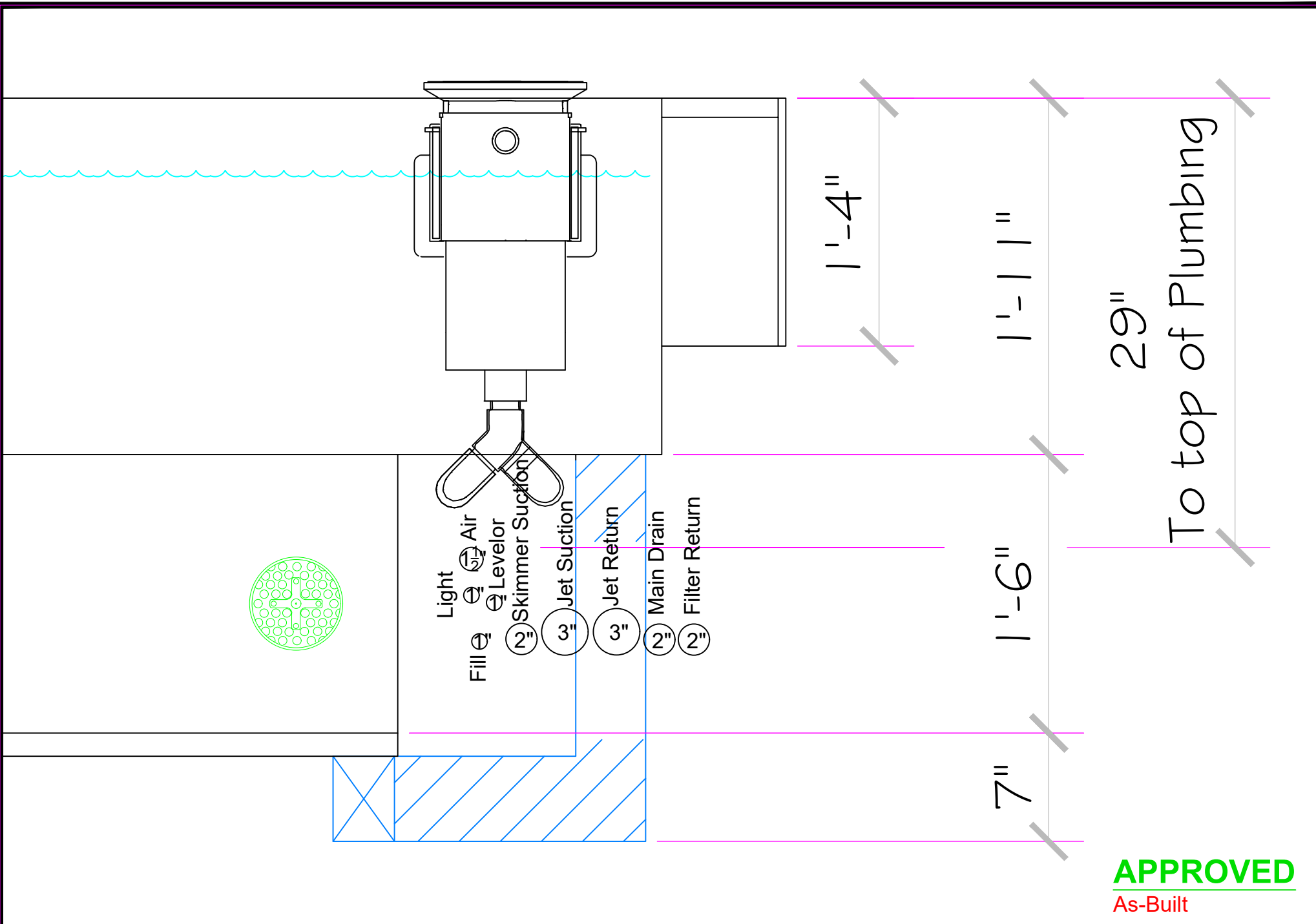
SCALE  
 N/A



DWG NAME RITZ CARLTON SHOP

DATE 10/29/2016

DWG TYPE Plumbing Schematic  
 SHEET PAGE 5 OF 8



These drawings, concepts, and details contained herein are the original proprietary designs of **NESPA ENTERPRISES INC.**, developed over many years of experience in the industry and as such are protected by the copyright laws of the United States Government. Reproduction of any of the above without written permission to do so by **NESPA ENTERPRISES INC.**, is illegal.

**NESPA ENTERPRISES INC.**  
 2800 Richter Ave. Ste. C Oroville, CA 95966  
 Office: (530) 534-9910 Fax: (530) 534-9915  
 E-Mail: [jim@tiledspas.com](mailto:jim@tiledspas.com) Web Site: [www.tiledspas.com](http://www.tiledspas.com)



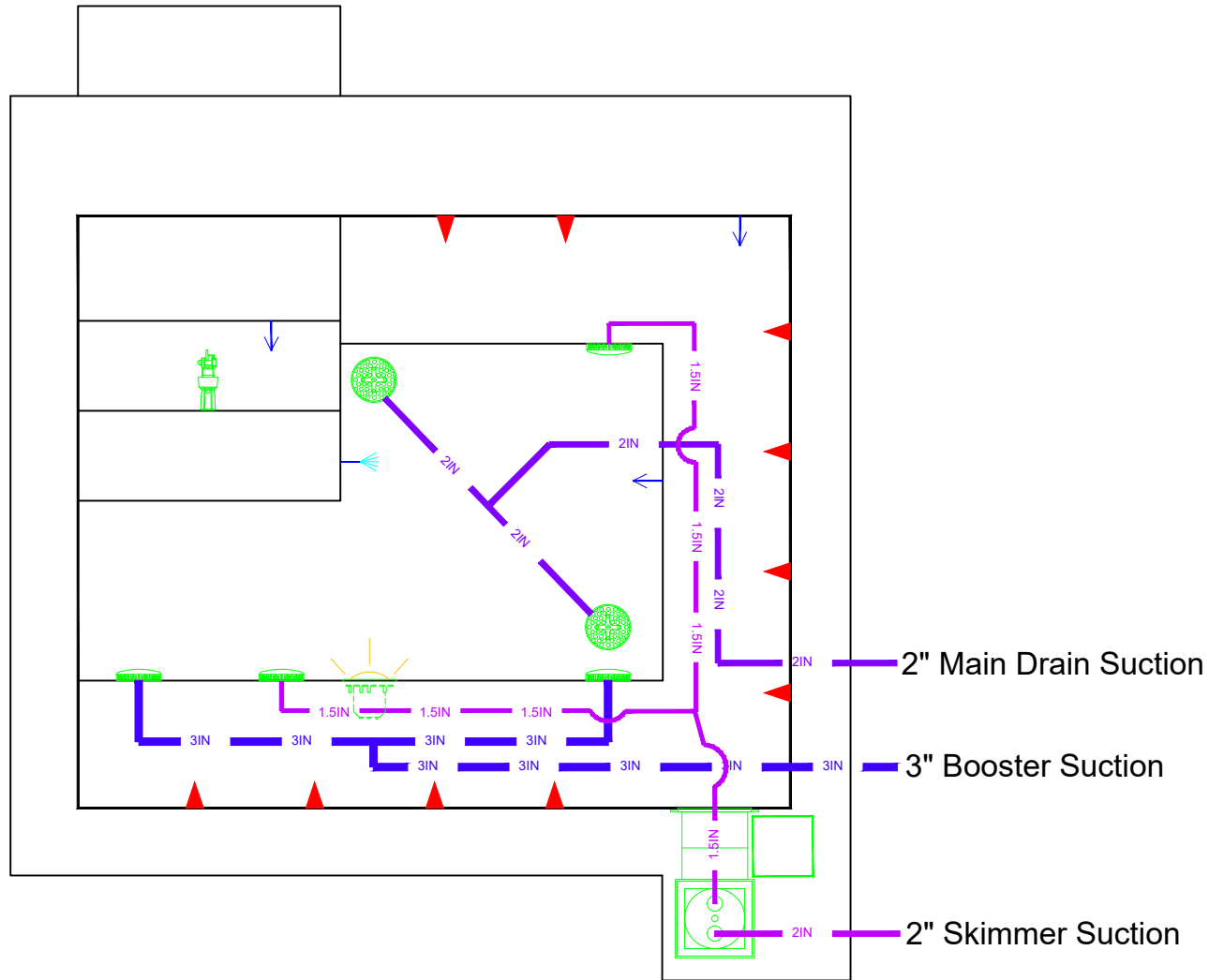
**If printing as a PDF:**  
 Page Scaling:

SCALE  
 N/A  
 DWG NAME  
 RITZ CARLTON SHOP

DATE  
 10/29/2016

DWG TYPE  
 Plumbing Stub-out  
 SHEET  
 PAGE 1 OF 1





# SUCTION PLUMBING

**APPROVED**  
As-Built

These drawings, concepts, and details contained herein are the original proprietary designs of **NESPA ENTERPRISES INC.**, developed over many years of experience in the industry and as such are protected by the copyright laws of the United States Government. Reproduction of any of the above without written permission to do so by **NESPA ENTERPRISES INC.**, is illegal.

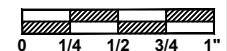
**NESPA ENTERPRISES INC.**  
2800 Richter Ave. Ste. C Oroville, CA 95966  
Office: (530) 534-9910 Fax: (530) 534-9915  
E-Mail: [jim@tiledspas.com](mailto:jim@tiledspas.com) Web Site: [www.tiledspas.com](http://www.tiledspas.com)



If printing as a PDF:

Page Scaling:

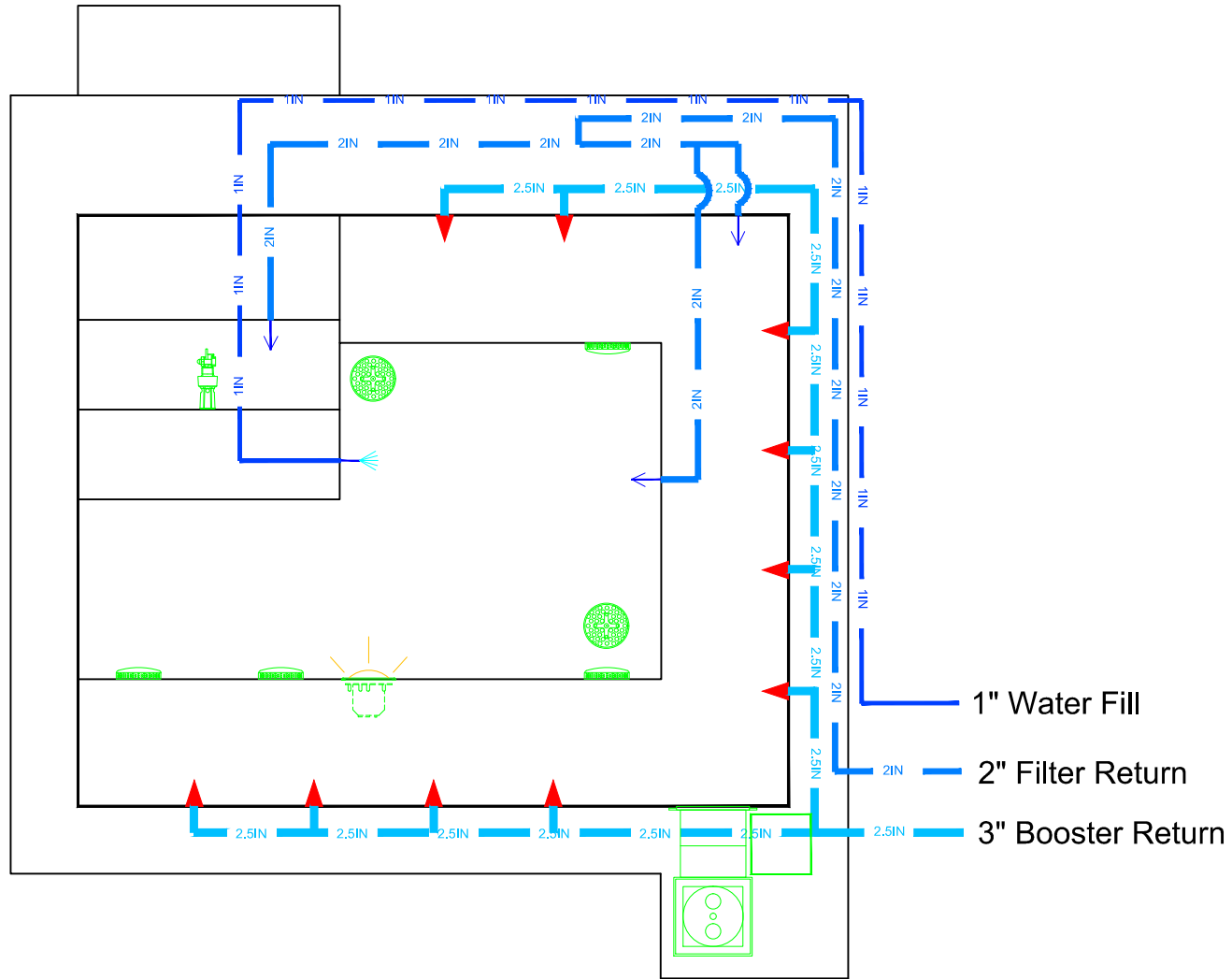
SCALE  
1/2" = 1'



DWG NAME RITZ CARLTON SHOP

DATE 10/25/2016

DWG TYPE Suction Plumbing  
SHEET PAGE 6 OF 8



# RETURN PLUMBING

**APPROVED**  
As-Built

ALL DIMENSIONS SUBJECT TO 1/4" TOLERANCES

These drawings, concepts, and details contained herein are the original proprietary designs of **NESPA ENTERPRISES INC.**, developed over many years of experience in the industry and as such are protected by the copyright laws of the United States Government. Reproduction of any of the above without written permission to do so by **NESPA ENTERPRISES INC.**, is illegal.

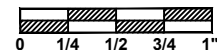
**NESPA ENTERPRISES INC.**  
2800 Richter Ave. Ste. C Oroville, CA 95966  
Office: (530) 534-9910 Fax: (530) 534-9915  
E-Mail: [jim@tiledspas.com](mailto:jim@tiledspas.com) Web Site: [www.tiledspas.com](http://www.tiledspas.com)



If printing as a PDF:

Page Scaling:

SCALE  
1/2" = 1'

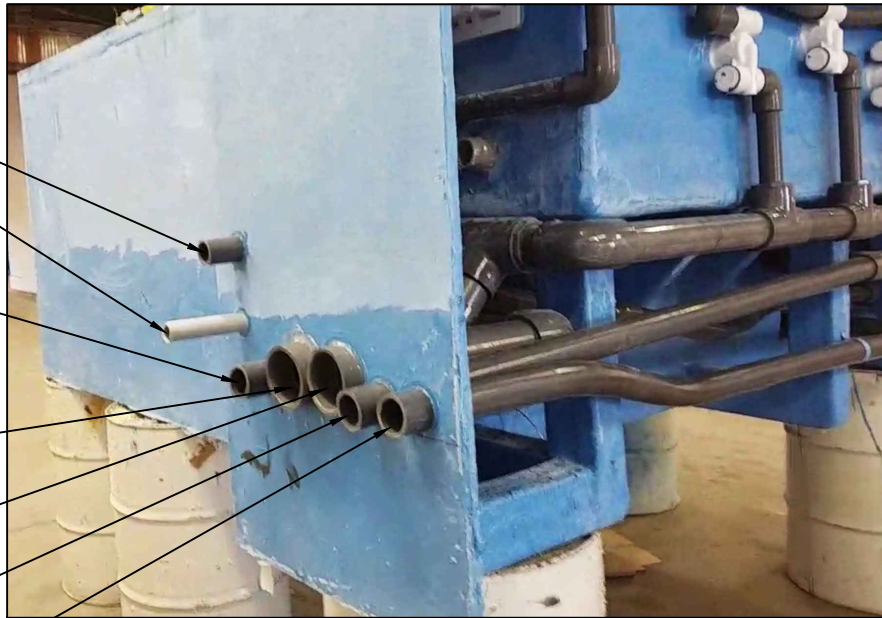


DWG NAME RITZ CARLTON SHOP

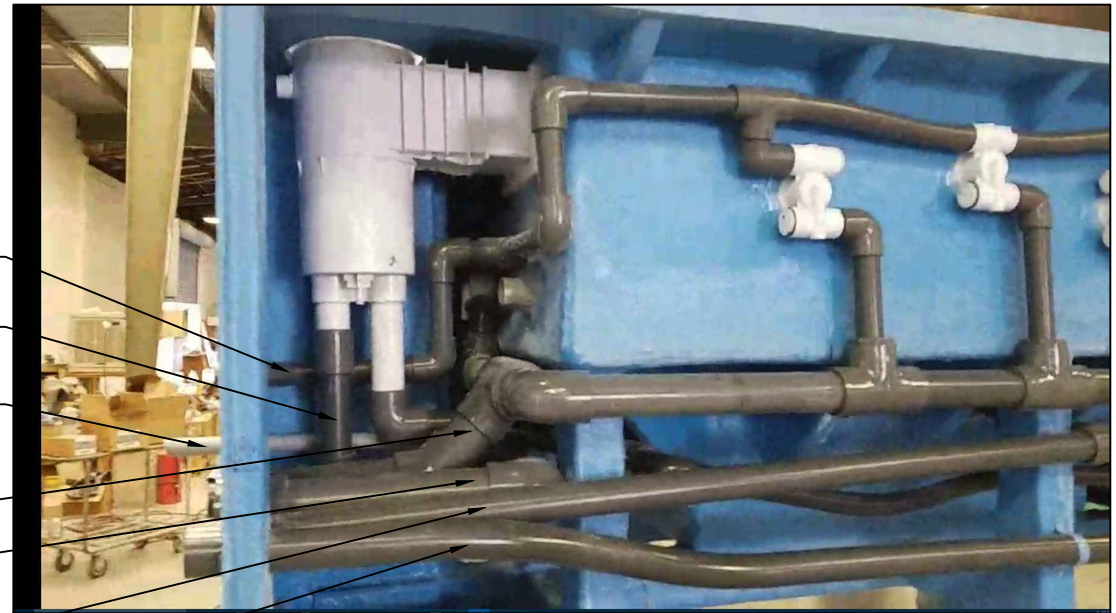
DATE 10/25/2016

DWG TYPE Return Plumbing  
SHEET PAGE 7 OF 8

AIR VENTURI  
 LIGHT CONDUIT  
 SKIMMER SUCTION  
 BOOSTER RETURN  
 BOOSTER SUCTION  
 FILTER RETURN  
 FILTER SUCTION



AIR VENTURI  
 SKIMMER SUCTION  
 LIGHT CONDUIT  
 BOOSTER RETURN  
 BOOSTER SUCTION  
 FILTER RETURN  
 FILTER SUCTION



**APPROVED**

As-Built

These drawings, concepts, and details contained herein are the original proprietary designs of **NESPA ENTERPRISES INC.**, developed over many years of experience in the industry and as such are protected by the copyright laws of the United States Government. Reproduction of any of the above without written permission to do so by **NESPA ENTERPRISES INC.**, is illegal.

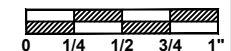
**NESPA ENTERPRISES INC.**  
 2800 Richter Ave. Ste. C Oroville, CA 95966  
 Office: (530) 534-9910 Fax: (530) 534-9915  
 E-Mail: [jim@tiledspas.com](mailto:jim@tiledspas.com) Web Site: [www.tiledspas.com](http://www.tiledspas.com)



If printing as a PDF:

Page Scaling:

SCALE  
 N/A

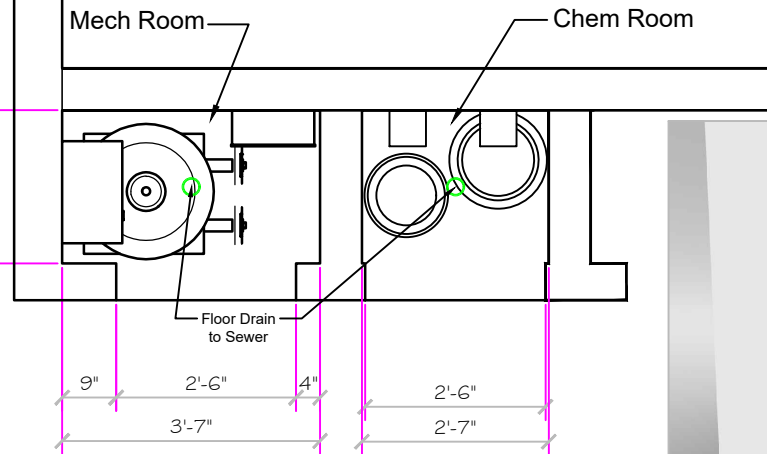
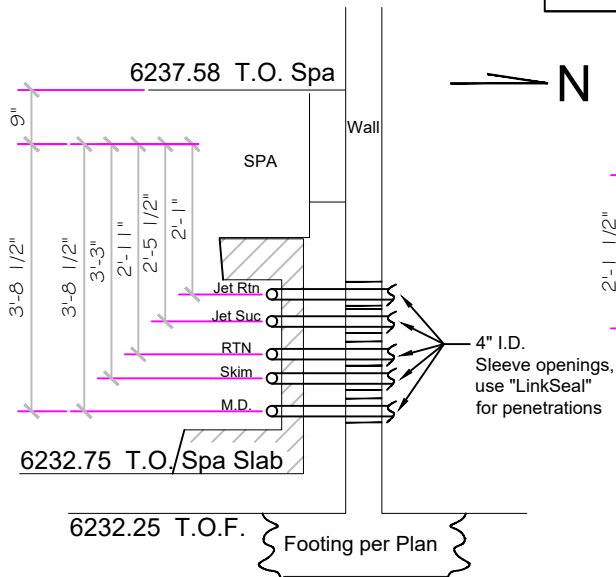
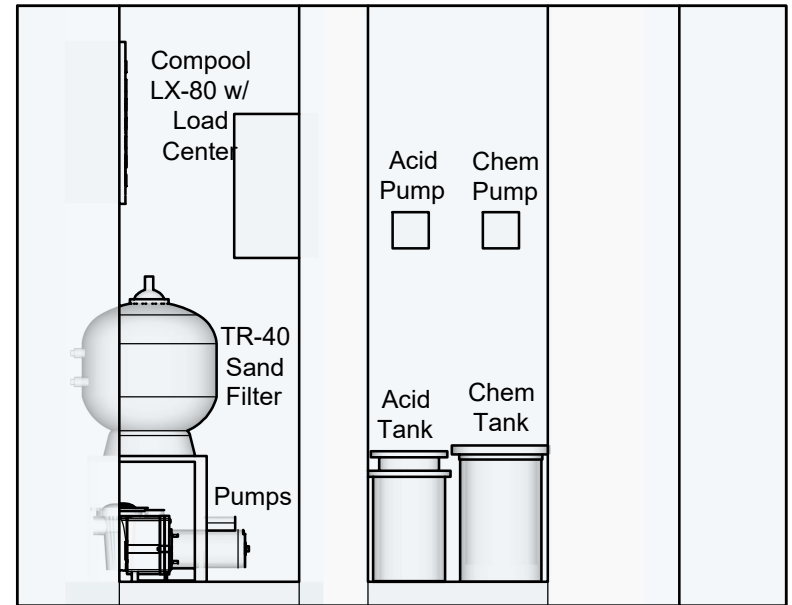
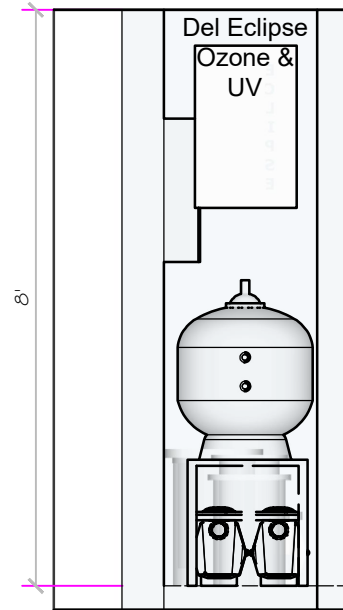
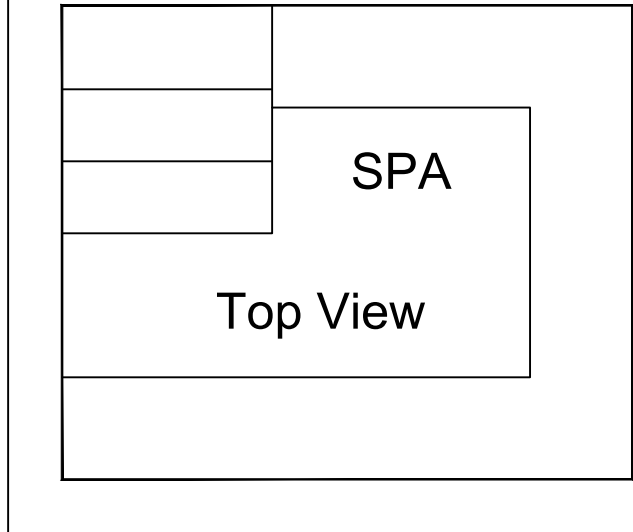


DWG TYPE  
 Plumbing ID

DWG NAME  
 RITZ CARLTON SHOP

DATE  
 10/28/2016

SHEET  
 PAGE 1 OF 1



**APPROVED**  
As-Built

These drawings, concepts, and details contained herein are the original proprietary designs of **NESPA ENTERPRISES INC.**, developed over many years of experience in the industry and as such are protected by the copyright laws of the United States Government. Reproduction of any of the above without written permission to do so by **NESPA ENTERPRISES INC.**, is illegal.

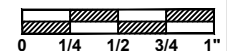
**NESPA ENTERPRISES INC.**  
2800 Richter Ave. Ste. C Oroville, CA 95966  
Office: (530) 534-9910 Fax: (530) 534-9915  
E-Mail: [jim@tiledspas.com](mailto:jim@tiledspas.com) Web Site: [www.tiledspas.com](http://www.tiledspas.com)



If printing as a PDF:

Page Scaling: None

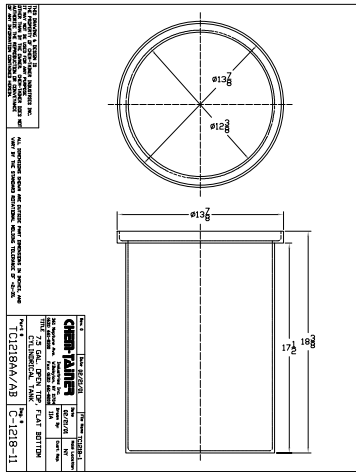
SCALE  
3/8" = 1'



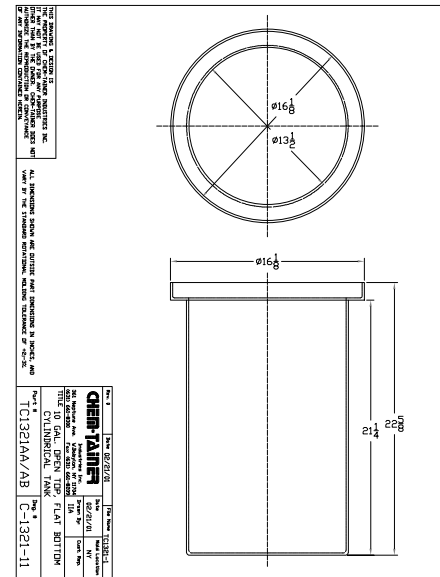
DWG NAME  
RITZ CARLTON SHOP

DATE  
10/29/2016

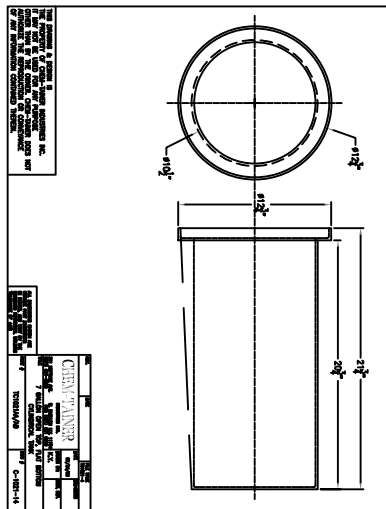
DWG TYPE  
Mechanical Room  
SHEET  
PAGE 8 OF 8



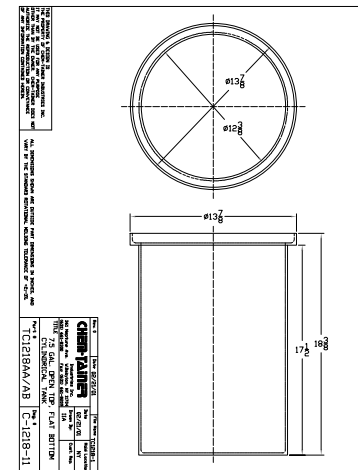
7.5 Gal. Chemical Inner w/ Lid



10 Gal. Outer Chemical



7 Gal. Inner Acid w/ Lid



7.5 Gal. Outer Acid

## CHEMICAL TANK DETAILS

**APPROVED**  
As-Built

These drawings, concepts, and details contained herein are the original proprietary designs of **NESPA ENTERPRISES INC.**, developed over many years of experience in the industry and as such are protected by the copyright laws of the United States Government. Reproduction of any of the above without written permission to do so by **NESPA ENTERPRISES INC.**, is illegal.

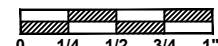
**NESPA ENTERPRISES INC.**  
2800 Richter Ave. Ste. C Oroville, CA 95966  
Office: (530) 534-9910 Fax: (530) 534-9915  
E-Mail: [jim@tiledspas.com](mailto:jim@tiledspas.com) Web Site: [www.tiledspas.com](http://www.tiledspas.com)



If printing as a PDF:

Page Scaling:

SCALE  
3/4" = 1'

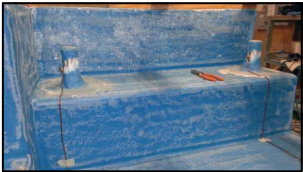
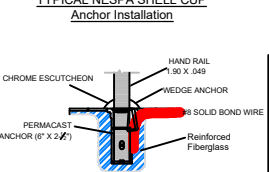


DWG NAME  
RITZ CARLTON SHOP

DATE  
10/29/2016

DWG TYPE  
Chemical Tank Detail  
SHEET  
PAGE 1 OF 1

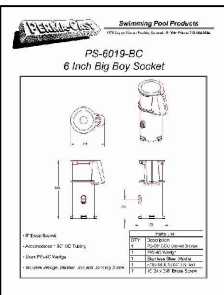
### TYPICAL NESPA SHELL CUP Anchor Installation

CHROME ESCUTCHEON  
HAND RAIL 1.50 X .049  
WEDGE ANCHOR  
PERMACAST ANCHOR (6" X 2-1/2")  
#8 SOLID BOND WIRE  
Reinforced Fiberglass

**NOTE:**  
DETAIL REFLECTS ANCHOR INSTALLATION IN NESPA SHELLS ONLY.  
CUP ANCHOR SHALL BE BONDED WITH A SOLID #8 COPPER BOND WIRE AND VERIFIED BY A CALIFORNIA LICENSED ELECTRICAL CONTRACTOR.  
BOND WIRE WILL BE ENCASED AND COVERED IN FIBERGLASS TO PREVENT WATER LEAKAGE THRU SHELL.  
BOND WIRE SHALL EXIT AT EDGE OF SPA AND ATTACH TO DECK BONDING GRID.

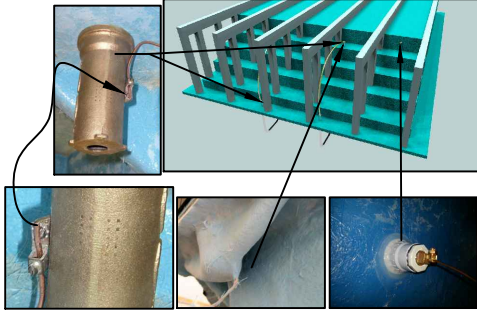
① Anchor Detail



PS-6019-BC  
6 Inch Big Boy Socket

Part No.	Description	Quantity
1	PS-6019-BC	1
2	PS-6019-BC	1
3	PS-6019-BC	1
4	PS-6019-BC	1
5	PS-6019-BC	1
6	PS-6019-BC	1
7	PS-6019-BC	1
8	PS-6019-BC	1
9	PS-6019-BC	1
10	PS-6019-BC	1

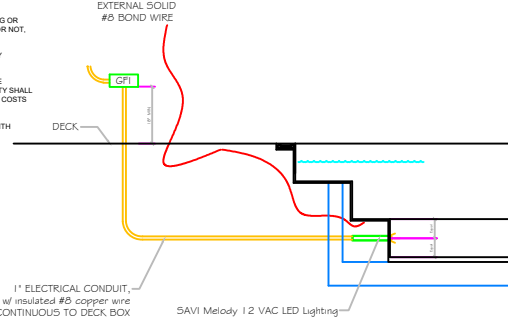
### BONDING DETAIL



#8 SOLID BOND WIRE ENCASED IN FIBERGLASS


### POOL BONDING REQUIREMENTS:

- THE FOLLOWING PARTS SHALL BE BONDED TOGETHER AND CONNECTED TO THE COMMON BONDING GRID:
  - ALL THE METALLIC PARTS OF THE POOL STRUCTURE INCLUDING COPYING STONES, DECK, PERMANENT PLAY STRUCTURES, PERMANENT EXERCISE STRUCTURES.
  - ALL METAL FITTINGS WITHIN OR ATTACHED TO THE POOL STRUCTURE.
  - METAL PARTS ASSOCIATED WITH THE POOL WATER CIRCULATING SYSTEM INCLUDING PUMPS, FILTERS, AND HEATERS.
  - METAL PARTS ASSOCIATED WITH POOL COVERS.
  - METAL SHEATHED CABLES AND RACEWAYS, METAL PIPING AND ALL FIXED METAL PARTS WITHIN 5 FEET HORIZONTALLY OF INSIDE WALLS OF POOL AND WITHIN 12 FEET ABOVE MAXIMUM WATER LEVEL OF POOL.
  - METAL PARTS ASSOCIATED WITH OBSERVATION STANDS, TOWERS, PLATFORMS, AND DIVING STRUCTURES.
- BONDING CONDUCTORS SHALL BE MINIMUM #8 SOLID COPPER, INSULATED E.C. SHALL COORDINATE APPROVED CONNECTOR TYPE AND METHOD WITH LOCAL ELECTRICAL AND/OR POOL INSPECTOR.
- SPECIFIC MANUFACTURERS INSTRUCTIONS REGARDING BONDING OR GROUNDING OF POOL EQUIPMENT, WHETHER INDICATED HEREIN OR NOT, SHALL BE STRICTLY FOLLOWED.
- THE COMMON BONDING GRID SHALL NOT BE CONNECTED TO ANY ELECTRICAL DISTRIBUTION EQUIPMENT.
- ANY PARTS IN ADDITION TO THOSE DESCRIBED HEREIN THAT ARE INDICATED BY POOL CONTRACTOR OR LOCAL INSPECTION AUTHORITY SHALL BE BONDED TO THE COMMON BONDING GRID WITH NO ADDITIONAL COSTS INCURRED BY THE OWNER.
- THE ELECTRICAL CONTRACTOR SHALL COORDINATE BONDING WITH GENERAL CONTRACTOR.



EXTERNAL SOLID #8 BOND WIRE  
DECK  
1" ELECTRICAL CONDUIT, w/ insulated #8 copper wire CONTINUOUS TO DECK BOX  
SAVI Melody 12 VAC LED Lighting

### LED LIGHT DETAIL



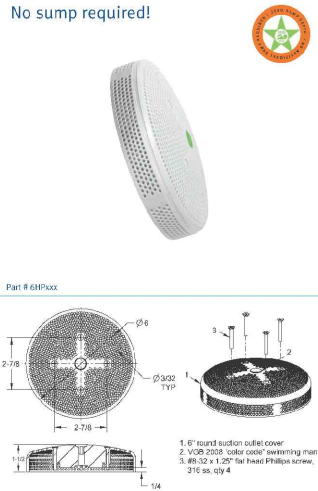
### 6" ROUND HOCKEY PUCK SUMPLESS SUCTION OUTLET COVER, HYDROAIR/ITT REPLACEMENT

**VGB Series**

The AquaStar line of suction outlet covers, compliant with the Virginia Uniform State Pool and Spa Safety Act (ANSI/ASPP 16-2011 and NSF/ANSI 50-2009A)

**FEATURES**  
For single or multiple drain use in quartz, stone, fiberglass and tile pool and spa (see installation instructions)  
Single - sumpless  
Flow/Noil 1" girth / 1.5A GPM at 4.2 fss  
Flow/Noil 1.5" girth / 1.7A GPM at 6.0 fss  
Flow/Noil 2" girth / 2.2 GPM at 3.0 fss  
Flow/Noil 2.5" girth / 2.8 GPM at 1.5 fss  
Flow/Noil 3.0" girth / 3.5 GPM at 1.0 fss  
Flow/Noil 3.5" girth / 4.2 GPM at 0.5 fss  
60.4 square inch opening  
Underlaid VGB non-plastic bottom easily separates VGB 2008 compliant cover from deck and underlaid  
#12.5 stainless steel screws  
Manufactured from superior UV resistant recycled polymers  
All components meet or exceed ANSI/ASPP 16-2011 and NSF/ANSI 50-2009A national standards and California 15416 testing response  
See user page for eight suction outlet solid separately available for sumpless connections to 10", 1.5" female adapters, 1.5" and 2" male and o-rings to 1.5" and 2" female adapters or hydroair/wall fitting. (NSF #10-60155 and #10-60156) with brass inserts)  
Replace every five years from the date of installation or 21 per case

**Part # 6HP12x2**



1. 6" round suction outlet cover  
2. VGB 2008 "solar code" swimming mat  
3. 48" x 24" x 1.25" flat head Phillips screw, 216 ss, qty 4

**STANDARD COLORS**

- 6HPHA101 - White
- 6HPHA102 - Black
- 6HPHA103 - Light Gray
- 6HPHA104 - Blue
- 6HPHA105 - Dark Gray
- 6HPHA106 - Tan

Can replace MaxFlow covers used with p/n 6MA3172Cover

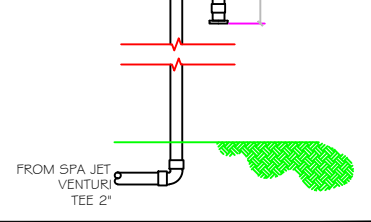
VGB 2008 Compliant

Benefits to Spa-Reli/Festair 48311 and AquaStar 4880000 equalizer

P 877-768-2717 F 877-276-POOL Outside the US: P +1-805-620-5060 F +1-949-336-1940 info@aquastarpoolproducts.com www.aquastarpoolproducts.com

PROUDLY MADE IN THE U.S.A.

### AIR SUPPLY LOOP DETAIL



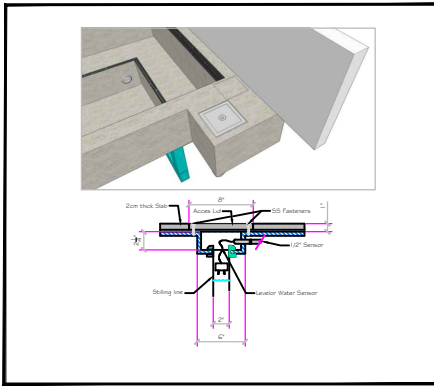
FROM SPA JET VENTURI TEE 2"

Keep Under 4"

10"

### SUCTION DETAIL

### LEVELOR DETAIL



2mm thick slab  
Accu-Lite  
SS Fasteners  
1/2" Sensor  
Sinking tile  
Levelor Water Sensor

## APPROVED

### As-Built

These drawings, concepts, and details contained herein are the original proprietary designs of **NESPA ENTERPRISES INC.**, developed over many years of experience in the industry and as such are protected by the copyright laws of the United States Government. Reproduction of any of the above without written permission to do so by **NESPA ENTERPRISES INC.**, is illegal.

**NESPA ENTERPRISES INC.**  
2800 Richter Ave. Ste. C Oroville, CA 95966  
Office: (530) 534-9910 Fax: (530) 534-9915  
E-Mail: [jim@tiledspas.com](mailto:jim@tiledspas.com) Web Site: [www.tiledspas.com](http://www.tiledspas.com)



If printing as a PDF:  
Page Scaling: None  
DWG NAME: RITZ CARLTON SHOP

SCALE: N/A  
DATE: 10/29/2016

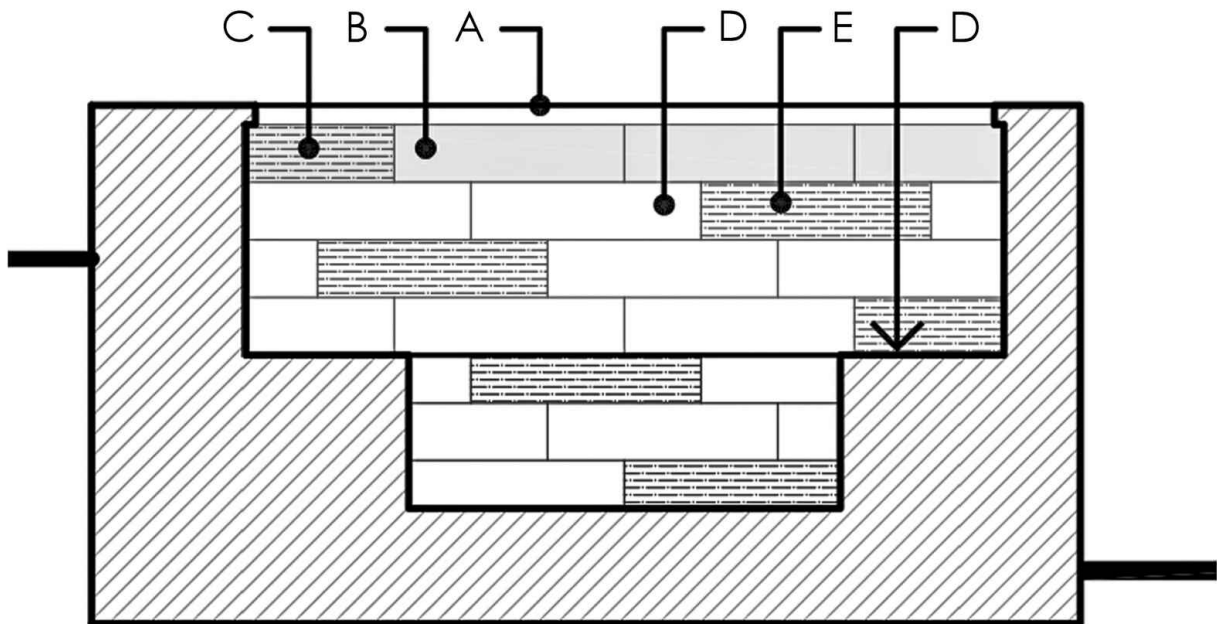
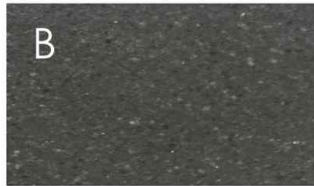
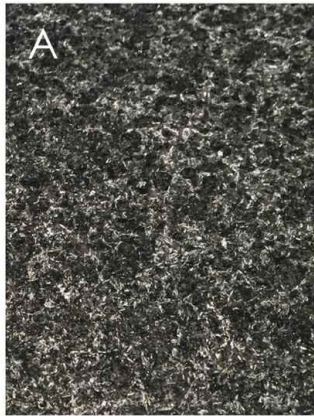
DWG TYPE: Detail  
SHEET: PAGE 1 OF 1

SCALE: N/A  
DATE: 10/29/2016  
DWG TYPE: Detail  
SHEET: PAGE 1 OF 1



- A. spa cap/coping and skirting - flamed granite slab
- B. water line tile - 6x24 steel gray, matte finish
- C. water line accent tile - 6x24 steel gray, stream finish
- D. walls, floors, bench top and stair top field tile - 6x24 crema luna, matte finish
- E. walls and floor field accent tile - 6x24 crema luna, stream finish

spa materials



walton **a e**  
architecture+  
engineering|inc

Ritz-Carlton  
lakeside

**NESPA ENTERPRISES INC.**

2800 Richter Ave. Suite C Oroville, CA 95966

Office: (530) 534-9910

Fax: (530) 534-9915

E-Mail: [jim@tiledspas.com](mailto:jim@tiledspas.com) Web Site: [www.tiledspas.com](http://www.tiledspas.com)

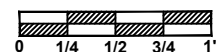


If printing as a PDF:

Page Scaling:

SCALE

N/A



DWG TYPE

Tile

DWG NAME

RITZ CARLTON SHOP

DATE

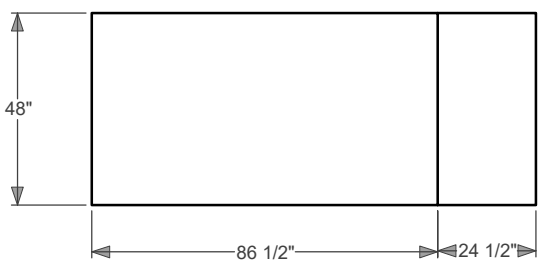
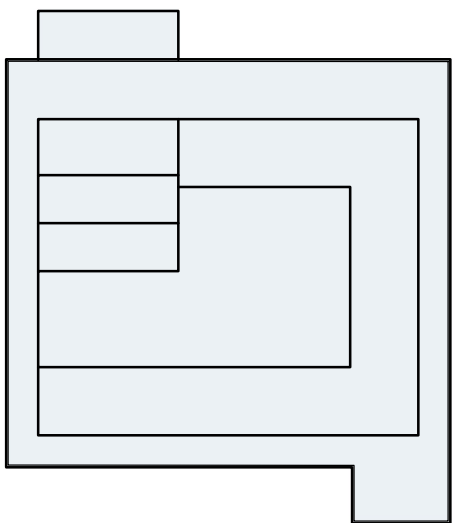
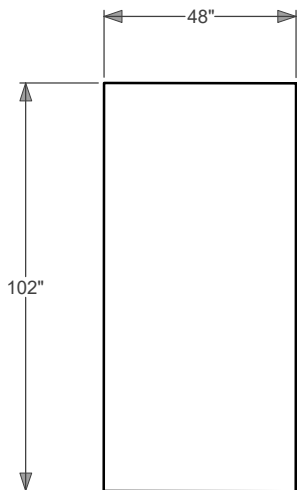
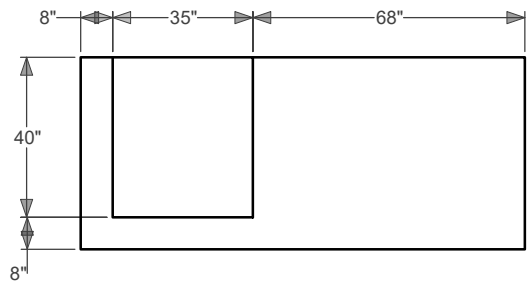
8/20/2015

SHEET

PAGE 1 OF 1







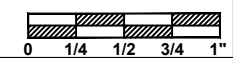
These drawings, concepts, and details contained herein are the original proprietary designs of **NESPA ENTERPRISES INC.**, developed over many years of experience in the industry and as such are protected by the copyright laws of the United States Government. Reproduction of any of the above without written permission to do so by **NESPA ENTERPRISES INC.**, is illegal.

**NESPA ENTERPRISES INC.**  
 2800 Richter Ave. Ste. C Oroville, CA 95966  
 Office: (530) 534-9910 Fax: (530) 534-9915  
 E-Mail: [jim@tiledspas.com](mailto:jim@tiledspas.com) Web Site: [www.tiledspas.com](http://www.tiledspas.com)



**If printing as a PDF:**  
 Page Scaling:

SCALE  
 1/4" = 1'

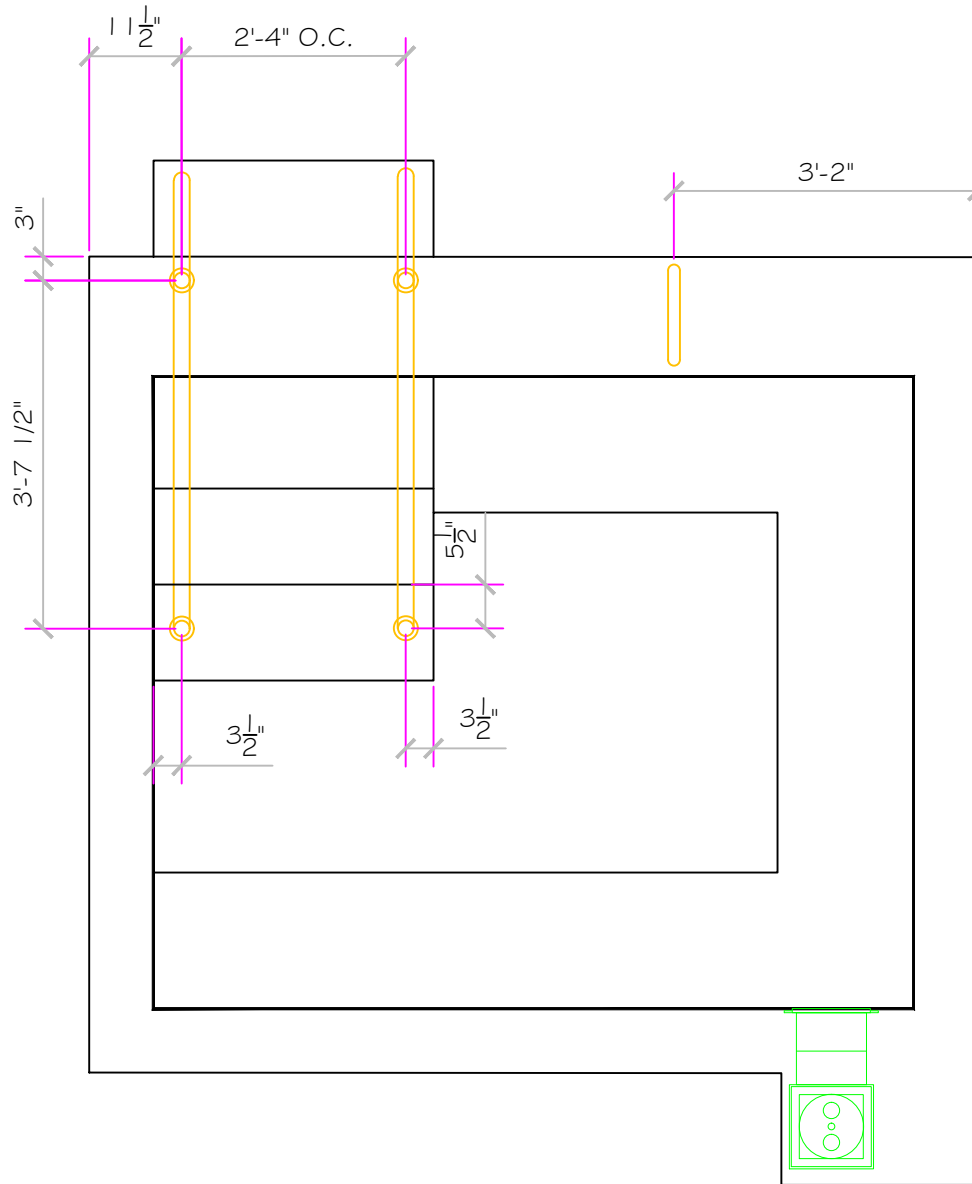


DWG TYPE  
 Outside Walls

DWG NAME  
 RITZ CARLTON SHOP

DATE  
 9/21/2016

SHEET  
 PAGE 1 OF 1



**APPROVED**  
As-Built

These drawings, concepts, and details contained herein are the original proprietary designs of **NESPA ENTERPRISES INC.**, developed over many years of experience in the industry and as such are protected by the copyright laws of the United States Government. Reproduction of any of the above without written permission to do so by **NESPA ENTERPRISES INC.**, is illegal.

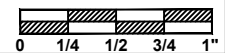
**NESPA ENTERPRISES INC.**  
2800 Richter Ave. Ste. C Oroville, CA 95966  
Office: (530) 534-9910 Fax: (530) 534-9915  
E-Mail: [jim@tiledspas.com](mailto:jim@tiledspas.com) Web Site: [www.tiledspas.com](http://www.tiledspas.com)



If printing as a PDF:

Page Scaling:

SCALE  
 $1/2'' = 1'$

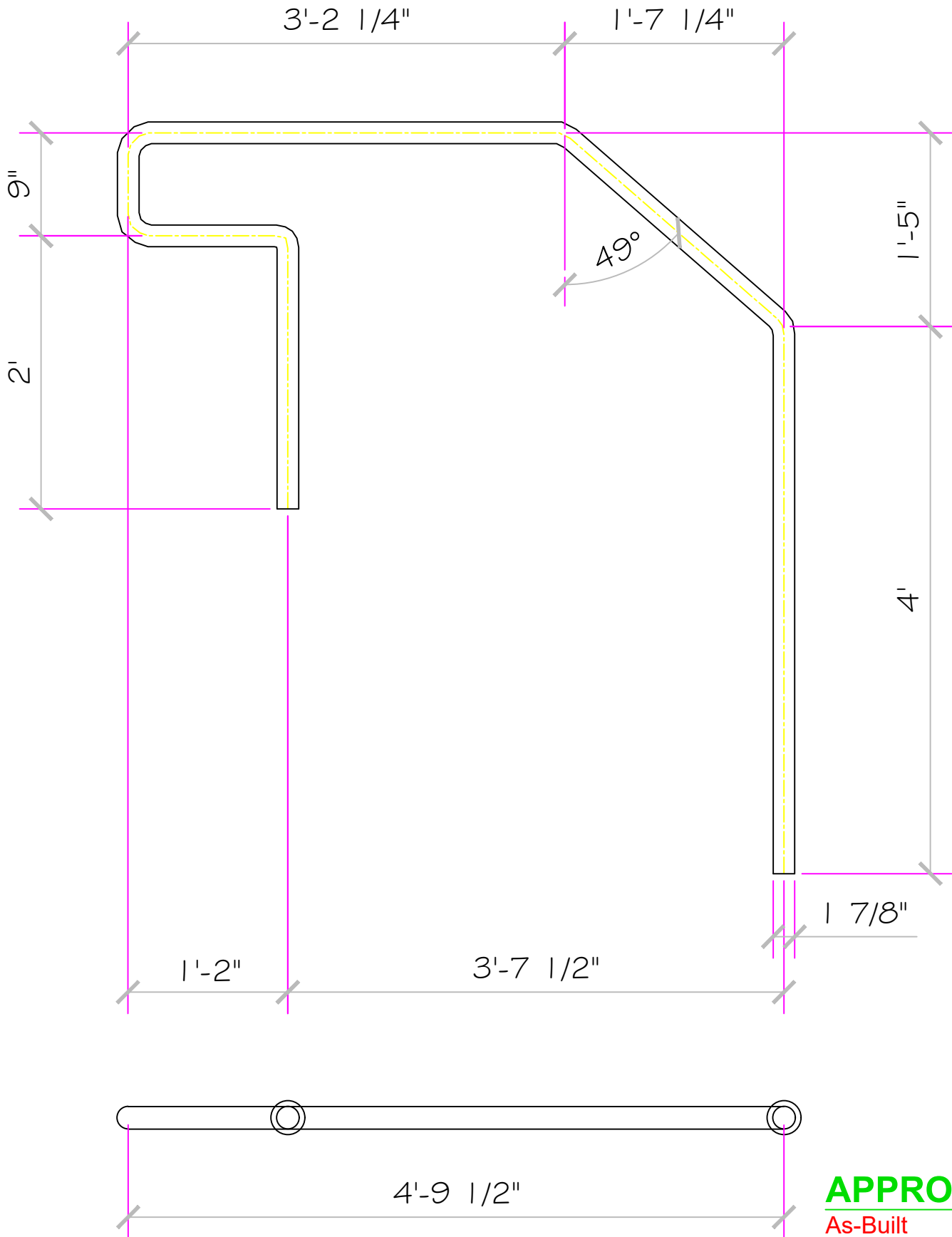


DWG TYPE  
Rails SD

DWG NAME  
RITZ CARLTON SHOP

DATE  
10/29/2016

SHEET  
PAGE 1 OF 1



**APPROVED**  
As-Built

**NESPA ENTERPRISES INC.**

2800 Richter Ave. Suite C Oroville, CA 95966

Office: (530) 534-9910

Fax: (530) 534-9915

E-Mail: [jim@tiledspas.com](mailto:jim@tiledspas.com) Web Site: [www.tiledspas.com](http://www.tiledspas.com)

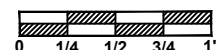


If printing as a PDF:

Page Scaling:  None

SCALE

1" = 1'



DWG TYPE

Handrail

DWG NAME

RITZ CARLTON SHOP

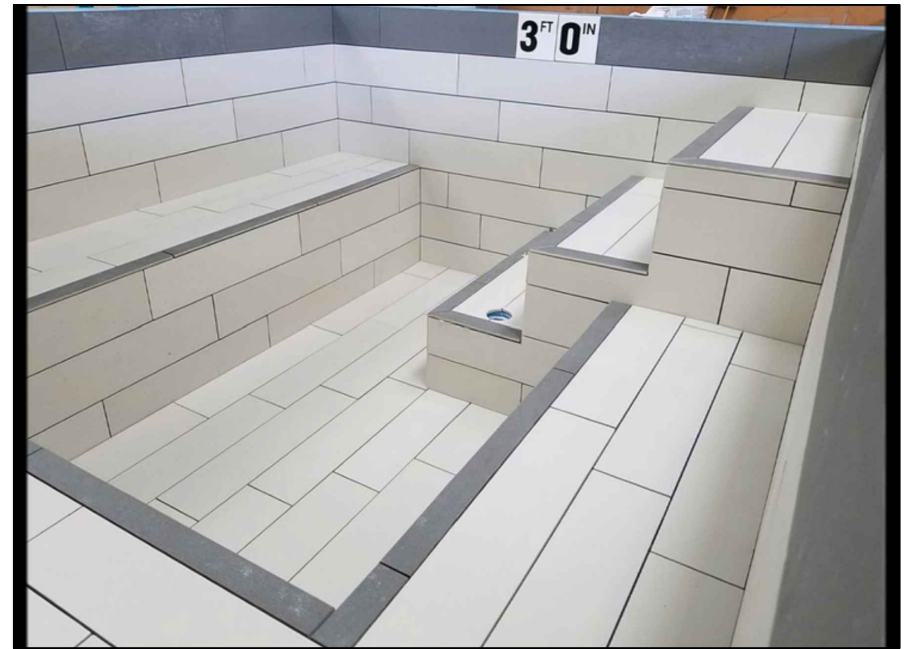
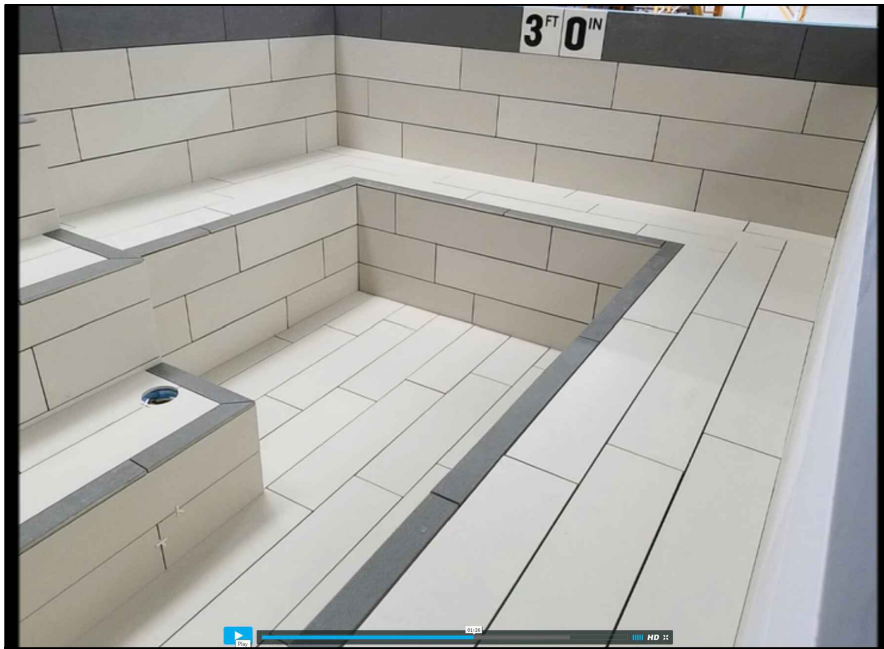
DATE

10/10/2016

SHEET

PAGE 1 OF 1





These drawings, concepts, and details contained herein are the original proprietary designs of **NESPA ENTERPRISES INC.**, developed over many years of experience in the industry and as such are protected by the copyright laws of the United States Government. Reproduction of any of the above without written permission to do so by **NESPA ENTERPRISES INC.**, is illegal.

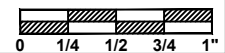
**NESPA ENTERPRISES INC.**  
 2800 Richter Ave. Ste. C Oroville, CA 95966  
 Office: (530) 534-9910 Fax: (530) 534-9915  
 E-Mail: [jim@tiledspas.com](mailto:jim@tiledspas.com) Web Site: [www.tiledspas.com](http://www.tiledspas.com)



**If printing as a PDF:**

Page Scaling:

SCALE  
N/A



DWG TYPE

Photos

DWG NAME

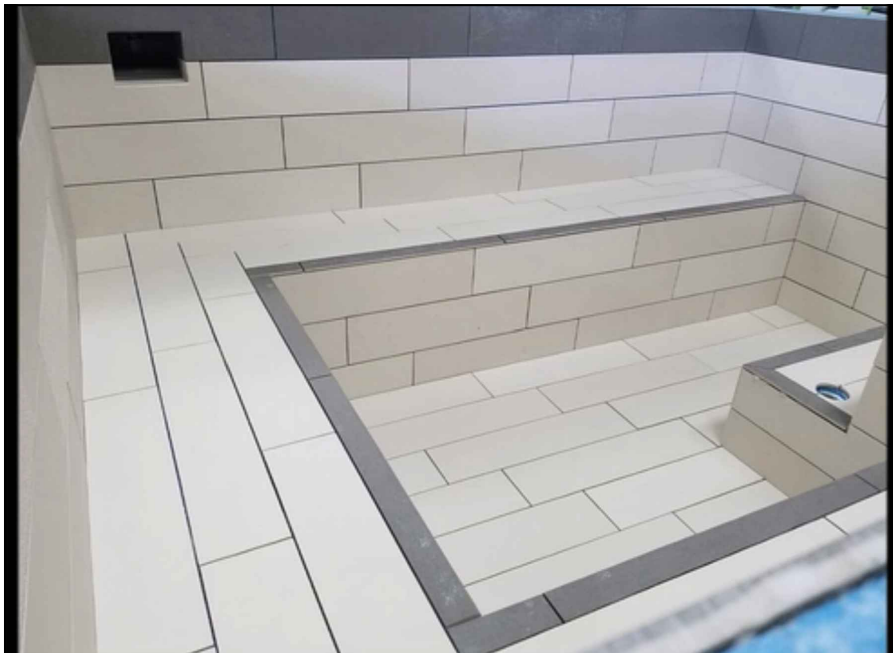
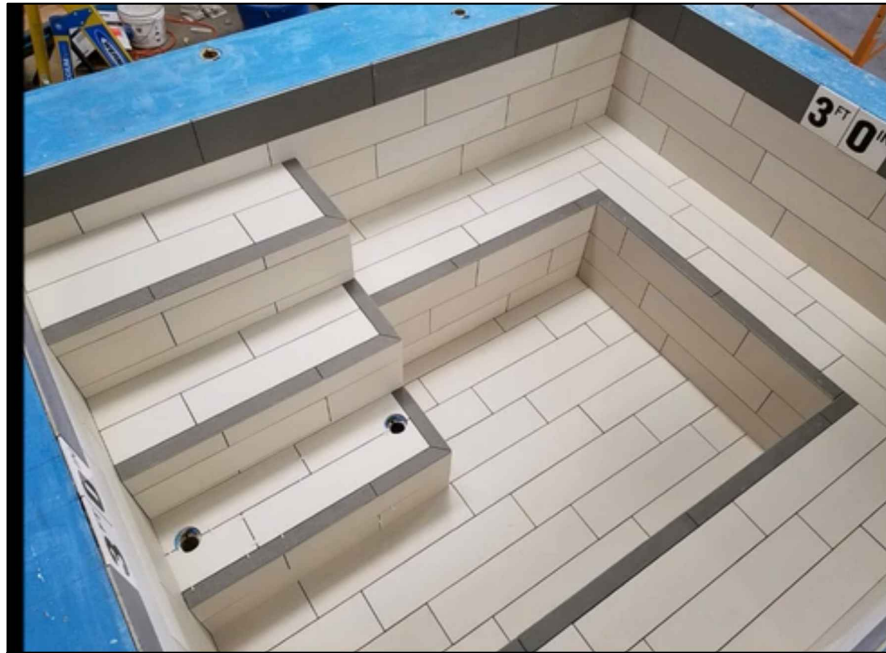
RITZ CARLTON SHOP

DATE

10/25/2016

SHEET

PAGE 1 OF 1



These drawings, concepts, and details contained herein are the original proprietary designs of **NESPA ENTERPRISES INC.**, developed over many years of experience in the industry and as such are protected by the copyright laws of the United States Government. Reproduction of any of the above without written permission to do so by **NESPA ENTERPRISES INC.**, is illegal.

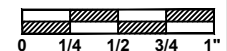
**NESPA ENTERPRISES INC.**  
 2800 Richter Ave. Ste. C Oroville, CA 95966  
 Office: (530) 534-9910 Fax: (530) 534-9915  
 E-Mail: [jim@tiledspas.com](mailto:jim@tiledspas.com) Web Site: [www.tiledspas.com](http://www.tiledspas.com)



**If printing as a PDF:**

Page Scaling:

SCALE  
 N/A



DWG TYPE  
 Photos (2)

DWG NAME  
 RITZ CARLTON SHOP

DATE  
 10/25/2016

SHEET  
 PAGE 1 OF 1

# STANDARD NESPA IN-GROUND INSTALLATION *INSTRUCTIONS* **SET-UP AND EXCAVATION**

**Prerequisites:** Before installing your Nespa spa. You may be required to acquire a permit from your local State, County, and City building dept and or Health department. (Commercial jobs need Health Dept. Approval). Your spa installation must comply with the most current codes. ( **Uniform Swimming Pool, Spas & Hot Tub Code 2006 ( USPC 2006)**).

**Spa drawings:** Request from Nespa a current spa specific construction detail, plan and section, spa plumbing detail.

**Delivery Access:** Clearly determine the method of getting the spa to jobsite and into the hole. This may require the use of a crane, forklift, hoist, backhoe and/or manpower etc.

- 1) The following instructions are general guidelines and may not apply to your specific jobsite conditions. When excavating for your spa remember to provide for plumbing and light connection clearances. In order to determine how to excavate for your spa or swim spa, measure spas outside dimension ( O.D.) and add minimum 3” to all sides. This 3” clearance is to accommodate jet and suction plumbing. This 3” clearance can change or be reduced upon request. Note: skimmer location, this area may have to be larger than 3”, if commercial 22”.
- 2) **Freeze Climates-** If the spa is place into a vault (typical of freeze climates) a standard 18” or more of clearance minimum from spa perimeter should be provided. This dead air space is for possible future access to spa plumbing in case of a freeze. Area drain is mandatory. **Ask your local installer** for his experienced opinion. Do not hesitate to call us because we want to be sure that your installation progresses as smoothly as possible. If you have questions call us. (888) 479-4677.
- 2) **Hole depth** is determined by spa’s outside height dimension. This height may vary depending if spa has skids or no skids. The spa lip may be finished or non- finished. How is the perimeter deck elevation transitioning to the spa? Focus on the finish surrounding deck elevations, thickness of the finish material on spa upper horizontal lip, equal to lip or under the spa lip. This material can be tile, stone, concrete or brick.
- 3) **Preplumb** the spa before it goes into the hole. If there are needs for electrical , bonding or control conduits run them as well before dropping in hole. Connect bond wire to niche would be best.
- 4) **Spa should sit on level 3 ½” thick reinforced concrete pad. Sweep debris off pad prior to dropping in hole.**
- 5) **Install spa** into the hole on top of concrete pad. Use the Eye bolts provided for crane, forklift etc. rigging. Do not hold onto pipes. Use caution with suction and jet plumbing when lowering into hole. **DO NOT STRESS FITTINGS!** Fill Spa with water and check for leaks prior to backfill.



- 6) **Check site reference** points for proper spa positioning (i.e., squaring to house, garage, etc.).
- 7) **Shim to level spa.** Shim with non-compression able material. Re square to house, or ref. point.
- 8) **Dry pack** with cement the gaps that have been created when shimming spa level.
- 9) **Connect pipes to tees** if spa is preplumb. Installers properly support your new plumbing from stressing spas preplumb fittings. After electrical conduit and bond wire is connected to light niche, water test spa before back filling with sand.  
**NOTE: All Nespa products are water tested prior to leaving factory.**

### **ELECTRICAL:**

- 1) All electrical connections to spa or equipment should comply with the most recent national electrical code (NEC), state and local codes.
- 2) Connect electrical conduit to light niche. This work should be done or reviewed by a licensed electrician.
- 3) To install spa light you will need to include inside the PVC conduit to the light niche a solid #8 coated copper wire. (If you are use brass conduit, internal bond wire is not required.) This bond wire should be pulled with the light cord at the same time. This bond wire needs to be attached to the internal bonding lug of the light niche. An approved encapsulate should be applied to bond wire connection in niche.
- 4) An external #8 copper wire shall be connected to the external bonding lug on the rear of the light niche. This copper wire can then be used for additional bonding requirements (i.e., handrails or any other metallic object within 5' of the spa.

### **PLUMBING:**

- 1) **When plumbing a Nespa it is important to properly size the plumbing. We highly recommend that you follow the pump manufacturer's pipe sizing requirements and Uniform Swimming Pool, Spas & Hot Tub Code 2006 ( USPC 2006). This code book is available at [www.IAPMO.org](http://www.IAPMO.org) or (909) 472 4100.**
- 2) The jet air venturi should be a Hartford loop design adjacent to spa shell and air entry point can be located next to spa or remotely at equipment.
- 3) Fill spa with water and test the system for leaks PRIOR to backfilling with sand.

### **SAND BACK FILL:**

- 1) **With water in spa, back-fill around spa perimeter with dry plaster sand and wet wash with hydraulic attachment to hose. Let set for one hour and hydraulic dry again. Be sure water level in spa is at the highest level. Any questions please call us. ( 888) 479-4677.**
- 2) **If spa is free standing on elevated deck or a structure, it is important to fill spa with water and load area prior to installing coping or perimeter decking. If spa is installed in a vault situation a area drain is needed.**



**NESPA ENTERPRISES INC.**

2800 Richter Ave. Suite E

Oroville, CA 95966

Office: (888) 479-4677 Fax: (530) 534-9915

E-Mail: nespa@pacbell.net www.tiledspas.com

**IN-GROUND**

**INSTALLATION**

\*ALL DIMENSIONS SUBJECT TO 1/4" TOLERANCES\*

SCALE: 1/2" = 1'-0"

DATE: 3/27/02

JOB : STANDARD INSTALL

DW #: SI-1, SI-2

**NOTE:**

Sump pump or gravity drain is required for removing water from vault



**STANDARD VAULT INSTALLATION**

SI-1



**HOLE EXCAVATION:**

EXCAVATE HOLE 1'-0" LARGER THAN THE OUTSIDE DIAMETER (OD) OF SPA

4" CONCRETE SLAB REINFORCED WITH #10 MESH

**STANDARD INGROUND INSTALLATION**

SI-2

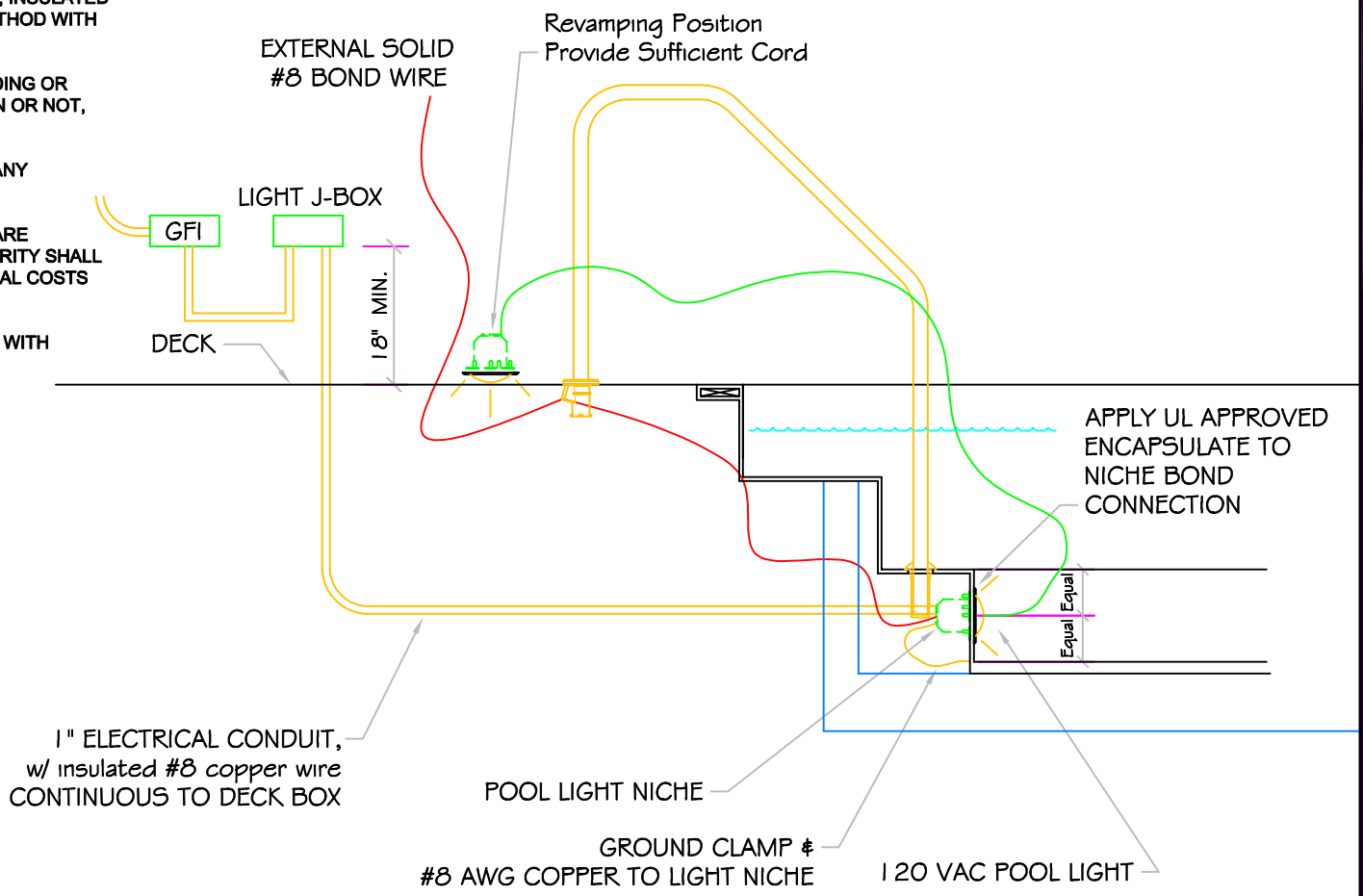
**NOTE:**

Footing can not surcharge spa. Slope from bottom of slab to nearest corner of house footing must not exceed 1" = 1".

# POOL BONDING REQUIREMENTS:

1. THE FOLLOWING PARTS SHALL BE BONDED TOGETHER AND CONNECTED TO THE COMMON BONDING GRID.
  - A. ALL THE METALLIC PARTS OF THE POOL STRUCTURE INCLUDING COPING STONES, DECK, PERMANENT PLAY STRUCTURES, PERMANENT EXERCISE STRUCTURES.
  - B. ALL METAL FITTINGS WITHIN OR ATTACHED TO THE POOL STRUCTURE
  - C. METAL PARTS ASSOCIATED WITH THE POOL WATER CIRCULATING SYSTEM, INCLUDING PUMPS, FILTERS, AND HEATERS.
  - D. METAL PARTS ASSOCIATED WITH POOL COVERS
  - E. METAL SHEATHED CABLES AND RACEWAYS, METAL PIPING AND ALL FIXED METAL PARTS WITHIN 5 FEET HORIZONTALLY OF INSIDE WALLS OF POOL AND WITHIN 12 FEET ABOVE MAXIMUM WATER LEVEL OF POOL.
  - F. METAL PARTS ASSOCIATED WITH OBSERVATION STANDS, TOWERS, PLATFORMS, AND DIVING STRUCTURES.
2. BONDING CONDUCTORS SHALL BE MINIMUM #8 SOLID COPPER, INSULATED E.C. SHALL COORDINATE APPROVED CONNECTOR TYPE AND METHOD WITH LOCAL ELECTRICAL AND/ OR POOL INSPECTOR.
3. SPECIFIC MANUFACTURER'S INSTRUCTIONS REGARDING BONDING OR GROUNDING OF POOL EQUIPMENT, WHETHER INDICATED HEREIN OR NOT, SHALL BE STRICTLY FOLLOWED.
4. THE COMMON BONDING GRID SHALL NOT BE CONNECTED TO ANY ELECTRICAL DISTRIBUTION EQUIPMENT.
5. ANY PARTS IN ADDITION TO THOSE DESCRIBED HEREIN THAT ARE INDICATED BY POOL CONTRACTOR OR LOCAL INSPECTION AUTHORITY SHALL BE BONDED TO THE COMMON BONDING GRID WITH NO ADDITIONAL COSTS INCURRED BY THE OWNER.
6. THE ELECTRICAL CONTRACTOR SHALL COORDINATE BONDING WITH GENERAL CONTRACTOR.

# LIGHT DETAIL



\*ALL DIMENSIONS SUBJECT TO 1/4" TOLERANCES\*

These drawings, concepts, and details contained herein are the original proprietary designs of NESPA ENTERPRISES, developed over many years of experience in the pool and spa industry and as such are protected by the copyright laws of the United States Government. Reproduction of any of the above without written permission to do so by NESPA ENTERPRISES, is illegal.

**NESPA ENTERPRISES INC.**  
 2800 Richter Ave. Ste. C Oroville, CA 95966  
 Office: (530) 534-9910 Fax: (530) 534-9915  
 E-Mail: [sales@tiledspas.com](mailto:sales@tiledspas.com) Web Site: [www.tiledspas.com](http://www.tiledspas.com)



SIZE A	DWG NAME DETAILS	DWG TYPE Detail
SCALE 1/2" = 1'	DATE 7/24/2008	SHEET PAGE 1 OF 1

## **NESPA ENTERPRISES, Inc. LIMITED WARRANTY**

**This LIMITED WARRANTY covering NESPA products is extended to the ORIGINAL PURCHASER-USER BY NESPA ENTERPRISES Inc.(NESPA), 2800 Richter Ave. Unit C California 95966.**

**NESPA products are thoroughly inspected and tested prior to factory shipment. NESPA warrants to the ORIGINAL PURCHASER-USER that NESPA Spas and Swim Spas will be free of defect in workmanship, accessories and parts, provided said accessories and parts were manufactured by NESPA. NESPA, under this LIMITED WARRANTY, warrants only that its Spas and Swim Spas shall be structurally sound, shall retain their shape, and shall retain water for the warranty period. NESPA warrants the adhesion of tile to fiberglass for a period of three (3) years and structural soundness for ten (10) years. NESPA warrants epoxy grout adhesion for a period of three years. If any such defects appear and are reported within the warranty period, NESPA shall repair or replace such defective parts without charge if an inspection proves the claim.**

**The provisions of the LIMITED WARRANTY shall not apply to tile cracked, split, chipped or damaged after the product has left the factory, nor damage to tile caused by freezing nor to damage, defect, malfunction or failure to conform with the above warranty provisions where the damage, defect, malfunction or failure to conform was caused during shipment or by distributor or by unreasonable use by ORIGINAL PURCHASER-USER including improper water balance and improper sand pack or support.**

**This LIMITED WARRANTY shall not apply to any plumbing, equipment, or installation of spas and Swim Spas and shall not apply to any alterations made to or upon NESPA products except alterations made by NESPA employees or NESPA authorized representatives.**

**This LIMITED WARRANTY is expressly in lieu of all other warranties expressed or implied including the warranties of merchantability and fitness for use and all other obligations or liabilities on NESPA'S part, and NESPA neither assumes nor authorizes any other person to assume for NESPA any other liability in connection with the sale of this NESPA product. This LIMITED WARRANTY shall not apply to this NESPA product or any part thereof which has been subject to accident, negligence, alteration, abuse or misuse. NESPA makes no warranty whatsoever with respect to accessories or parts not manufactured by NESPA.**

**The term "ORIGINAL PURCHASER-USER" as used in this LIMITED WARRANTY shall be deemed to mean that person for whom the NESPA product is originally installed.**

**The LIMITED WARRANTY provided herein and the obligations and liabilities of NESPA hereunder are exclusive and are in lieu of, and buyer and original PURCHASE-USER hereby waive all other remedies, warranties, guarantees or liabilities, expressed or implied, arising by law or otherwise (including without limitation and obligations of NESPA with respect to fitness, merchantability, and consequential damages) or whether or not occasioned by NESPA'S negligence.**

**This LIMITED WARRANTY shall not be extended, altered or varied except by a written instrument signed by NESPA and original PURCHASER-USER.**