

# PLAN APPROVAL DOCUMENTATION

## DRAWING REVISION HISTORY

### SHEET 1 - SPA SD

- REV NOTE: 7/9 - SD2 added jets - 10" lip - Halogen Light  
Changed skid design - added handrail
- REV NOTE: 11-26 Changed spa size to 11' I.D.
- REV NOTE: 12-06 Moved Skimmer Location Widened Lip
- REV NOTE: 12-11 Lengthened Handrail
- REV NOTE: 4-24 Added Rail (By others)
- REV NOTE: 7-24 Revised Main Drains
- REV NOTE: 08 -14 Revised Lip-Flipped Steps to other side

### SHEET 2 - SPA PLUMBING-Suction

- REV NOTE: 7/9 - Changed water fill location
- REV NOTE: 11-26 Changed spa size to 11' I.D.
- REV NOTE: 12-06 Moved Skimmer Location
- REV NOTE: 7-24 Revised Main Drains
- REV NOTE: 8-28 Revised Skid Height

### SHEET 3 - SPA PLUMBING-Return

- REV NOTE: 7/9 - changed Filter Return design
- REV NOTE: 11-26 Changed spa size to 11' I.D.
- REV NOTE: 12-06 Moved Skimmer Location
- REV NOTE: 12-11 Moved Levelor Location

### SHEET 4 - SPA Detail

- REV NOTE: 7/9 - added Main Drain detail  
changed 8" Lip To 10" Lip
- REV NOTE: 11-26 Changed spa size to 11' I.D.
- REV NOTE: 1 2-7 Revised Lip Details
- REV NOTE: 08 -14 Added Skimmer Detail s

### SHEET 5 - WATERFILL

- REV NOTE: 7/9 - added WaterFill Detail

### SHEET 6 - WATERFILL Detail

- REV NOTE: 12/11 - added WaterFill Detail

### SHEET 7 - HANDRAIL

- REV NOTE: 7/9 - added Handrail Detail
- REV NOTE: 12-11 Lengthened Handrail

### SHEET 8 - SPA TILE DETAIL

- REV NOTE: 11-26 Changed spa size to 11' I.D.
- REV NOTE: 4-24 Added Tile Detail

I approve the above drawings  \_\_\_\_\_ Date: \_\_\_\_\_

Any changes to these plans from here forward shall be directed in writing to Nespa.

## SPA FABRICATION AUTHORIZATION

Nespa's engineering and structural manufacturing departments may find it necessary to make slight adjustments (= 1") to your spa.

This may include the size of the spa (OD/ID), tile cuts, depths, jet location, bench steps etc. These adjustments must be made in the primary stages of building the spa. The adjustments are generally made to ad structural and aesthetic integrity to the vessel. IE: balance of supporting gussets (exterior) and less tile cuts/ symmetrical cuts, grout lines, etc. (interior)

Please initial next to the following number that describes your project needs.

- \_\_\_\_\_ 1. YES, I understand adjustments need to be made. Nespa will use their expertise to make these adjustments as needed. I give them the authority to make changes. I will receive final accurate drawings prior to receipt of spa or spa hole construction (if changes were made to the size)
- \_\_\_\_\_ 2. NO, No changes can be made even under 1". Dimensions are fixed. More tile cuts may be needed, Structural supports may be altered to accommodate.
- \_\_\_\_\_ 3. Nespa will need to contact us for any changes to spa dimensions prior to continued spa fabrication.

### NESPA ENTERPRISES INC.

2800 Richter Ave. Suite C Oroville, CA 95966

Office: (530) 534-9910

Fax: (530) 534-9915

E-Mail: [sales@tiledspas.com](mailto:sales@tiledspas.com) Web Site: [www.tiledspas.com](http://www.tiledspas.com)

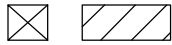


SIZE A	DWG NAME PORTLAND STATE UNIV	DWG TYPE REV
SCALE N/A	DATE 8/28/2008	SHEET Revision History

These drawings, concepts, and details contained herein are the original proprietary designs of NESPA ENTERPRISES, developed over many years of experience in the pool and spa industry and as such are protected by the copyright laws of the United States Government. Reproduction of any of the above without written permission to do so by NESPA ENTERPRISES, is illegal.

SPECIFICATIONS	
DRY WEIGHT:	3500 LBS.
TOTAL WEIGHT:	19527 LBS.
WATER:	1922.4 GAL.
VOLUME:	257 Cu.Ft.
WEIGHT:	16027 LBS.
SURFACE AREA:	95.0 SQ. FT.
IAPMO#:	1138
FDA#:	2030305

**SKID SUPPORT STRUCTURE\* BONDED TO SPA**



\*SKIDS SUPPLIED BY NESPA

**JET** **FILL**

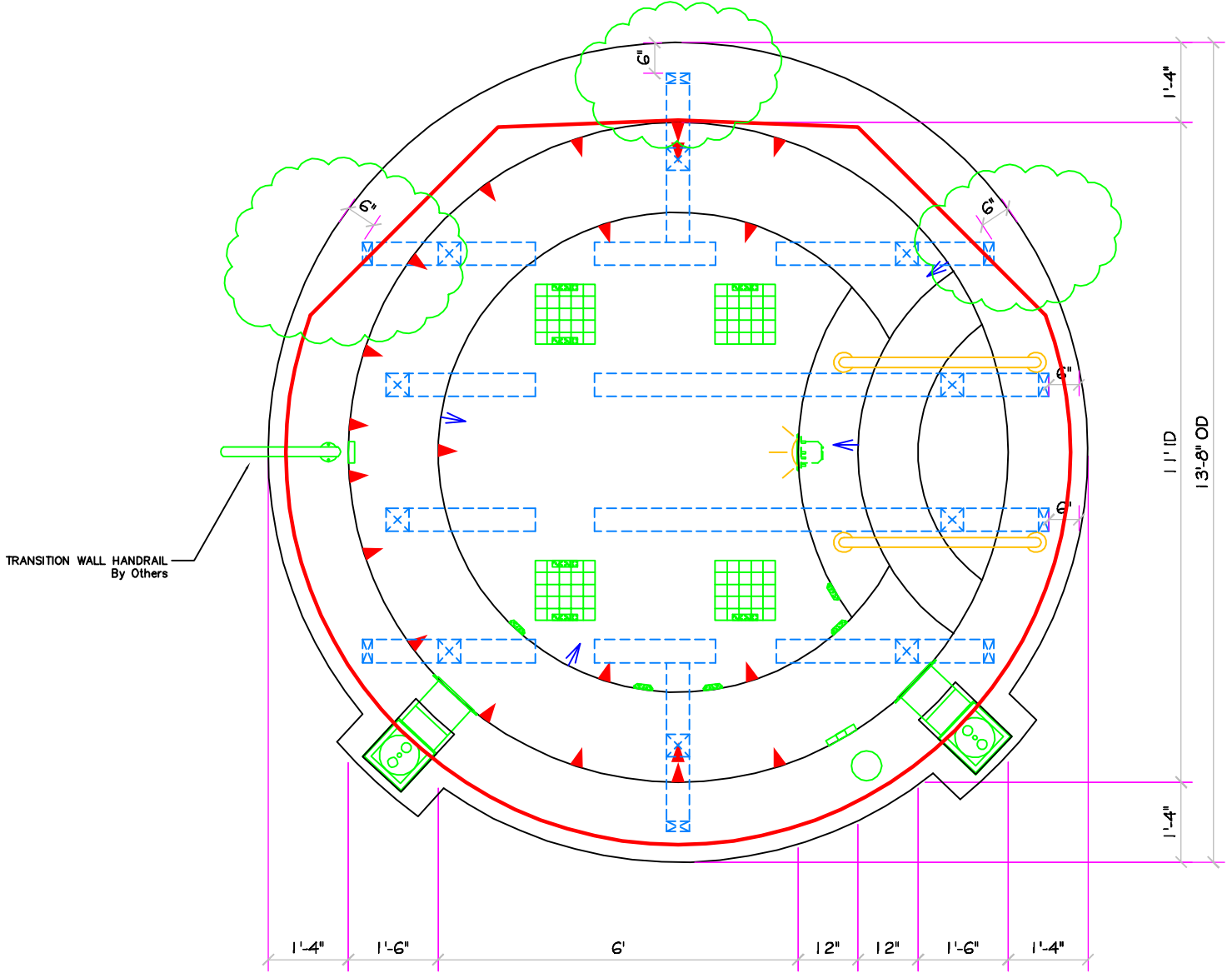
**SUCTION**   
 5" HIGH FLOW SUCTIONS  
 8.39 SQ. IN. OPEN AREA  
 208 GPM AT 1.5 FT/SEC  
 COMPLIES W/ ANSI CODE A112.19  
 UL APPROVED

**EQUALIZER**   
 4" 3.61 SQ.IN. OPEN AREA,  
 COMPLIES W/ ANSI CODE A112.19

**MAIN DRAIN**   
 MAIN DRAIN GRATE, 10" Dia Frame,  
 Approved Max Flow Rate:  
 Floor = 208GPM, Wall = 96GPM  
 @6.0 f.p.s., Max Flow = 210GPM  
 Meets Or Exceeds Current ASME/ANSI  
 A112.19.8 2007 National Standards

**LIGHT NICHE**   
 Halogen Quartz, 120V,  
 250 WATT, 50' Cord,  
 U.L. APPROVED

**SKIMMER**   
 HAYWARD SP-1084FVE  
 SURFACE SKIMMER  
 W/ EQUALIZER,  
 NSF APPROVED



\*ALL DIMENSIONS SUBJECT TO 1/4" TOLERANCES\*

These drawings, concepts, and details contained herein are the original proprietary designs of NESPA ENTERPRISES, developed over many years of experience in the pool and spa industry and as such are protected by the copyright laws of the United States Government. Reproduction of any of the above without written permission to do so by NESPA ENTERPRISES, is illegal.

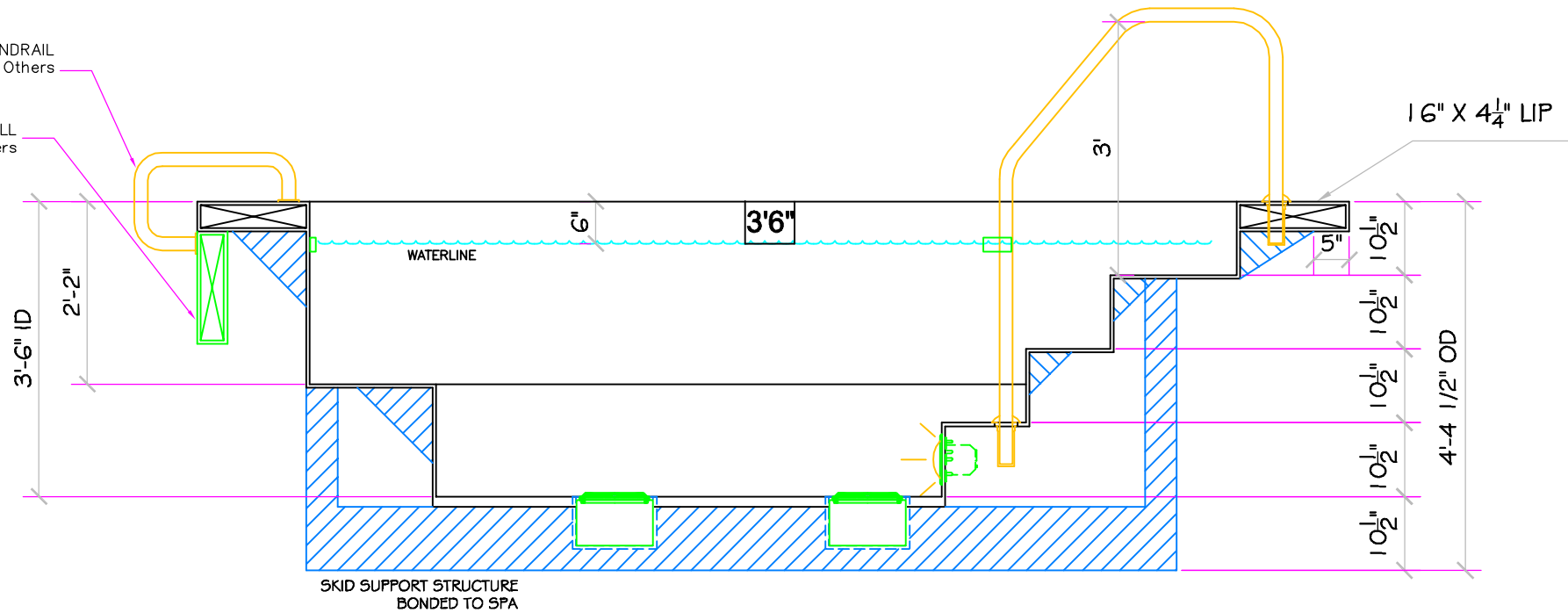
**NESPA ENTERPRISES INC.**  
 2800 Richter Ave. Ste. C Oroville, CA 95966  
 Office: (530) 534-9910 Fax: (530) 534-9915  
 E-Mail: [sales@tiledspas.com](mailto:sales@tiledspas.com) Web Site: [www.tiledspas.com](http://www.tiledspas.com)



SIZE <b>A</b>	DWG TYPE <b>SD-11 (A)</b>	DWG NO. <b>PORTLAND STATE UNIV</b>	REV <b>9</b>
SCALE <b>3/8" = 1'</b>	DATE <b>11/10/2008</b>	SHEET <b>PAGE 1 OF 14</b>	

TRANSITION WALL HANDRAIL  
By Others

TILED STEM WALL  
By Others



\*ALL DIMENSIONS SUBJECT TO 1/4" TOLERANCES\*

These drawings, concepts, and details contained herein are the original proprietary designs of NESPA ENTERPRISES, developed over many years of experience in the pool and spa industry and as such are protected by the copyright laws of the United States Government. Reproduction of any of the above without written permission to do so by NESPA ENTERPRISES, is illegal.

**NESPA ENTERPRISES INC.**

2800 Richter Ave. Ste. C Oroville, CA 95966

Office: (530) 534-9910

Fax: (530) 534-9915

E-Mail: [sales@tiledspas.com](mailto:sales@tiledspas.com) Web Site: [www.tiledspas.com](http://www.tiledspas.com)



SIZE

A

DWG TYPE

SD-11 (B)

DWG NO.

PORTLAND STATE UNIV

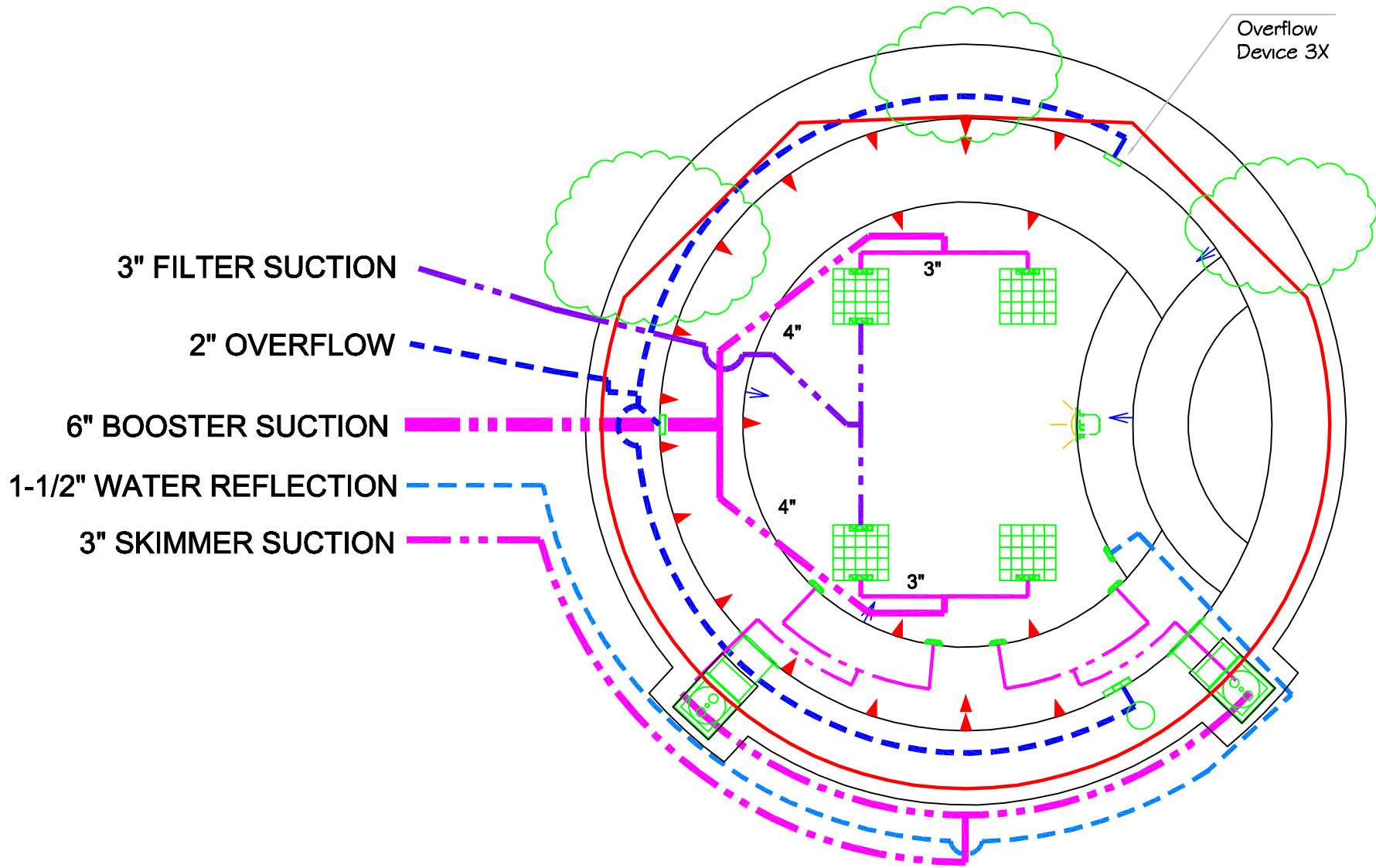
REV

9

SCALE 1/2" = 1'

DATE 8/28/2008

SHEET PAGE 2 OF 14



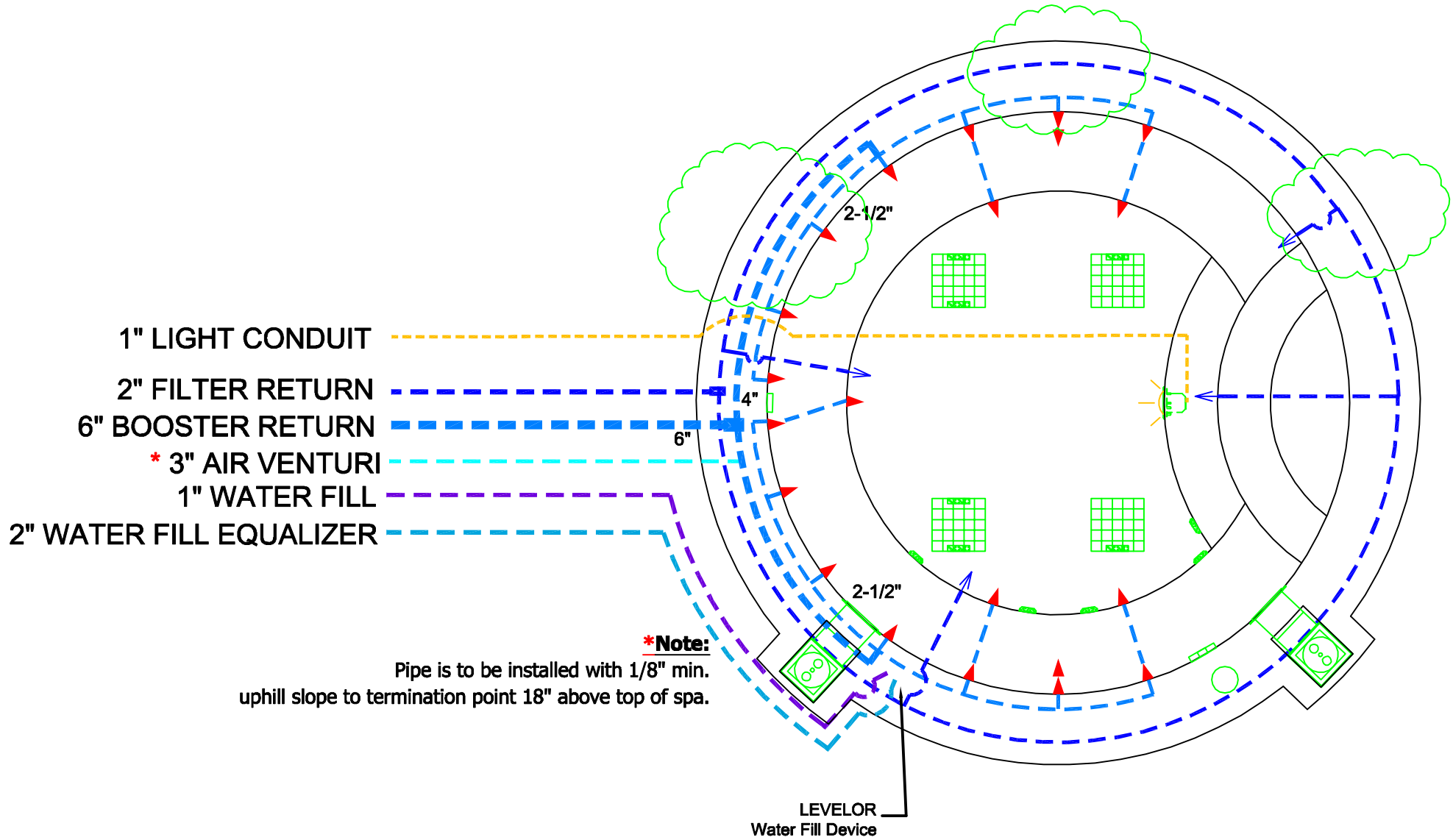
\*ALL DIMENSIONS SUBJECT TO 1/4" TOLERANCES\*

These drawings, concepts, and details contained herein are the original proprietary designs of NESPA ENTERPRISES, developed over many years of experience in the pool and spa industry and as such are protected by the copyright laws of the United States Government. Reproduction of any of the above without written permission to do so by NESPA ENTERPRISES, is illegal.

**NESPA ENTERPRISES INC.**  
 2800 Richter Ave. Ste. C Oroville, CA 95966  
 Office: (530) 534-9910 Fax: (530) 534-9915  
 E-Mail: [sales@tiledspas.com](mailto:sales@tiledspas.com) Web Site: [www.tiledspas.com](http://www.tiledspas.com)



SIZE A	DWG TYPE P-SUCTION	DWG NO. PORTLAND STATE UNIV	REV 5
SCALE 3/8" = 1'		DATE 8/14/2008	SHEET PAGE 3 OF 14



**\*Note:**  
 Pipe is to be installed with 1/8" min.  
 uphill slope to termination point 18" above top of spa.

LEVELOR  
 Water Fill Device

\*ALL DIMENSIONS SUBJECT TO 1/4" TOLERANCES\*

These drawings, concepts, and details contained herein are the original proprietary designs of NESPA ENTERPRISES, developed over many years of experience in the pool and spa industry and as such are protected by the copyright laws of the United States Government. Reproduction of any of the above without written permission to do so by NESPA ENTERPRISES, is illegal.

**NESPA ENTERPRISES INC.**  
 2800 Richter Ave. Ste. C Oroville, CA 95966  
 Office: (530) 534-9910 Fax: (530) 534-9915  
 E-Mail: [sales@tiledspas.com](mailto:sales@tiledspas.com) Web Site: [www.tiledspas.com](http://www.tiledspas.com)



SIZE A	DWG TYPE P-RETURN	DWG NO. PORTLAND STATE UNIV	REV 5
SCALE 3/8" = 1'	DATE 8/14/2008	SHEET PAGE 4 OF 14	



ISO 9001 Registered Quality System

POOL/SPA Products **HydroAir**

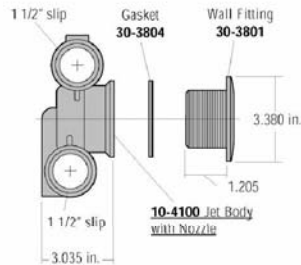
**Hydro Jet™ Series Jet Assemblies**

**SPECIFICATIONS:**

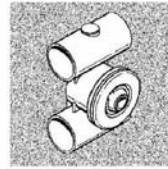
**Output :** 13 GPM, 12 psi, 3/8" Nozzle  
**Hole Size:** Use 2 3/8" hole saw

**Options:** Hand Held 16-5303

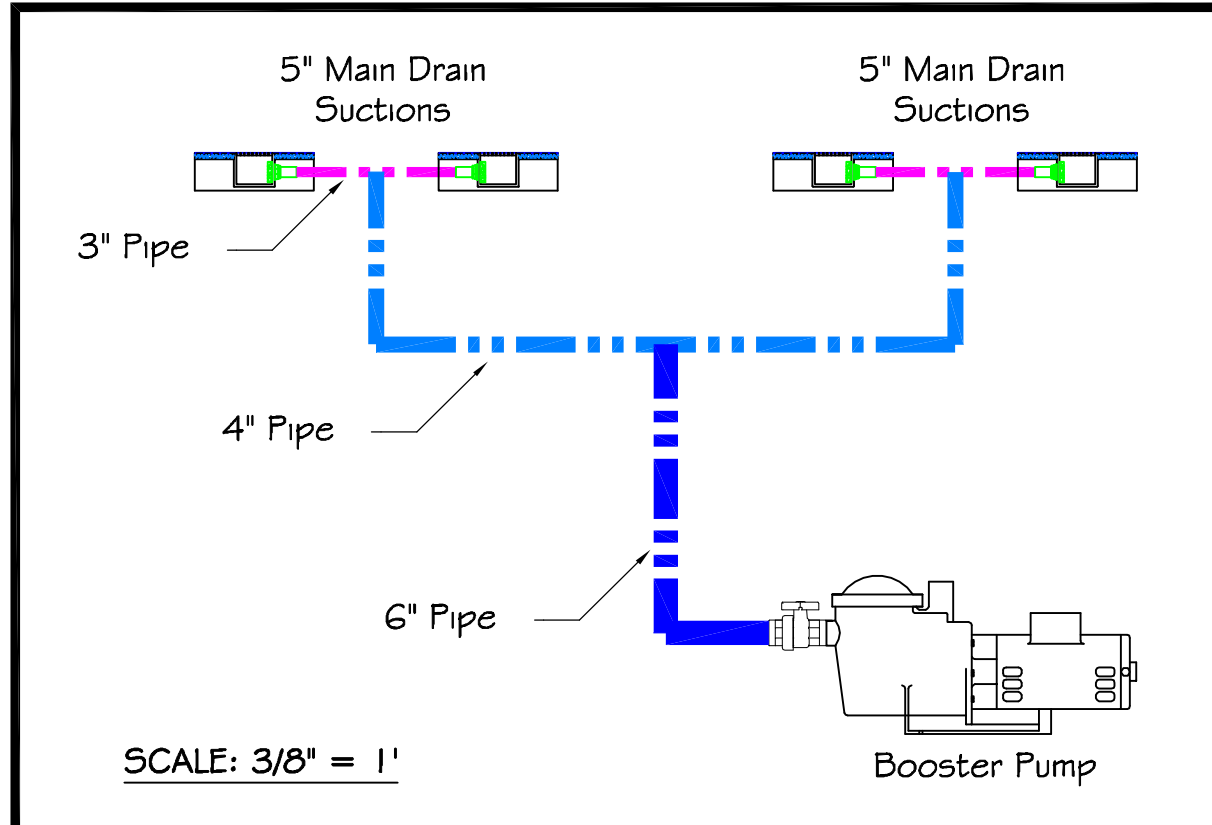
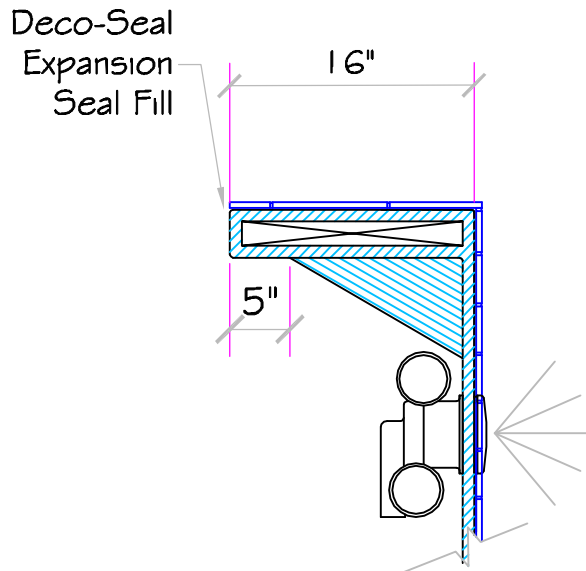
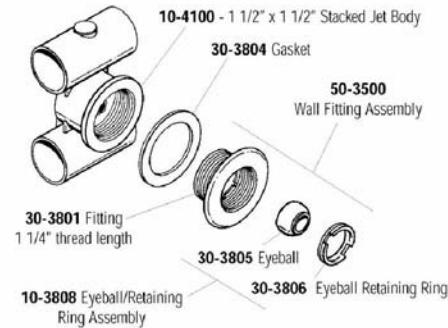
**Hydro Jet™ Stacked Jet Assemblies**



**Hydro Jet™ 1 1/4" Fitting Thread Length**



**10-5100**  
 includes: 10-4100 Stacked Jet Assembly & 50-3500 Wall Fitting Assembly (40/case, 42 lbs.) \*  
 \* Shipping carton size: 21 - 5/16" x 14 - 5/8" x 14 - 7/8"



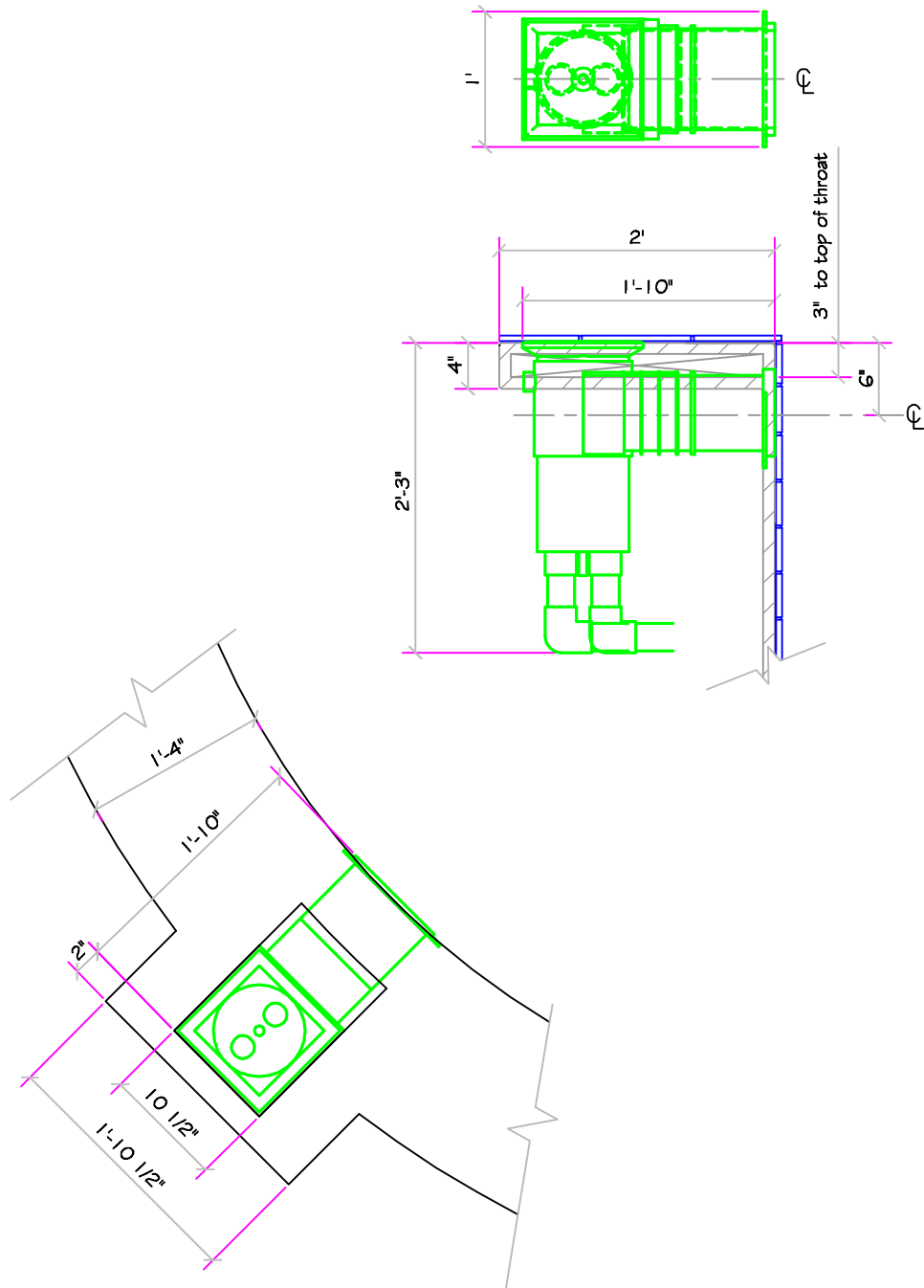
\*ALL DIMENSIONS SUBJECT TO 1/4" TOLERANCES\*

These drawings, concepts, and details contained herein are the original proprietary designs of NESPA ENTERPRISES, developed over many years of experience in the pool and spa industry and as such are protected by the copyright laws of the United States Government. Reproduction of any of the above without written permission to do so by NESPA ENTERPRISES, is illegal.

**NESPA ENTERPRISES INC.**  
 2800 Richter Ave. Ste. C Oroville, CA 95966  
 Office: (530) 534-9910 Fax: (530) 534-9915  
 E-Mail: [sales@tiledspas.com](mailto:sales@tiledspas.com) Web Site: [www.tiledspas.com](http://www.tiledspas.com)



SIZE A	DWG TYPE Details	DWG NO. PORTLAND STATE UNIV	REV 3
SCALE 3/4" = 1'		DATE 8/14/2008	SHEET PAGE 5 OF 14



\*ALL DIMENSIONS SUBJECT TO 1/4" TOLERANCES\*

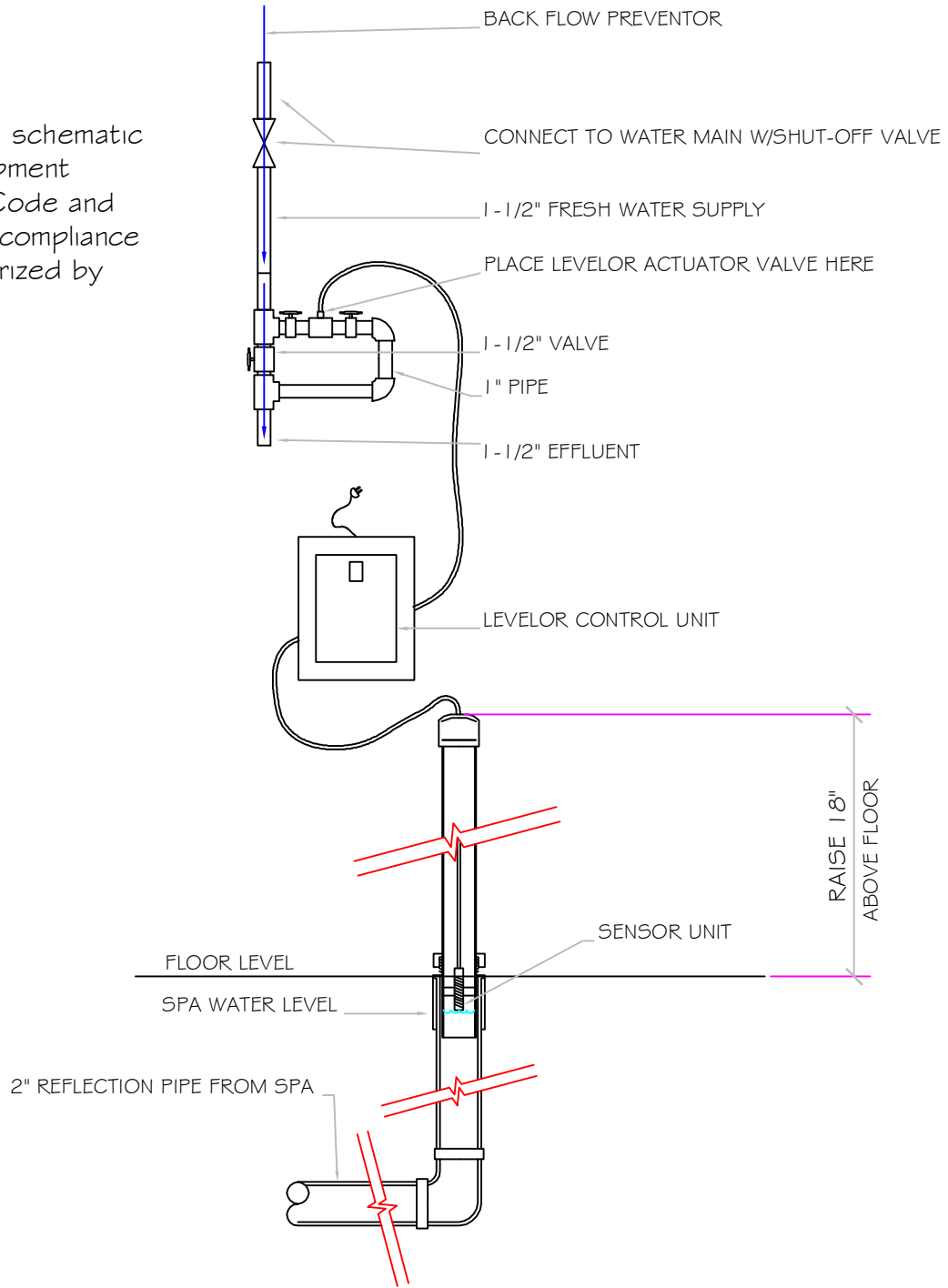
These drawings, concepts, and details contained herein are the original proprietary designs of NESPA ENTERPRISES, developed over many years of experience in the pool and spa industry and as such are protected by the copyright laws of the United States Government. Reproduction of any of the above without written permission to do so by NESPA ENTERPRISES, is illegal.

**NESPA ENTERPRISES INC.**  
 2800 Richter Ave. Ste. C Oroville, CA 95966  
 Office: (530) 534-9910 Fax: (530) 534-9915  
 E-Mail: [sales@tiledspas.com](mailto:sales@tiledspas.com) Web Site: [www.tiledspas.com](http://www.tiledspas.com)



SIZE A	DWG TYPE Details (2)	DWG NO. PORTLAND STATE UNIV	REV 3
SCALE 3/4" = 1'		DATE 8/14/2008	SHEET PAGE 6 OF 14

Note:  
 Conceptual schematic  
 of spa equipment  
 placement. Code and  
 Mechanical compliance  
 to be authorized by  
 engineer.



# WATER LEVEL CONTROL

\*ALL DIMENSIONS SUBJECT TO 1/4" TOLERANCES\*

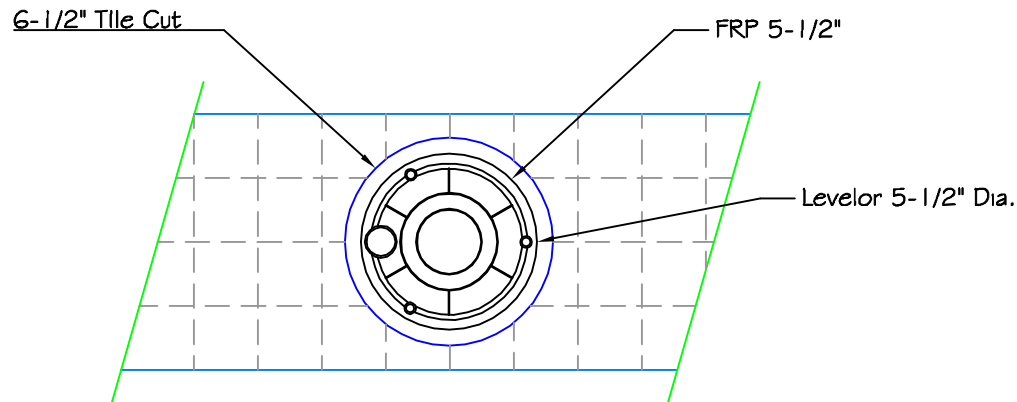
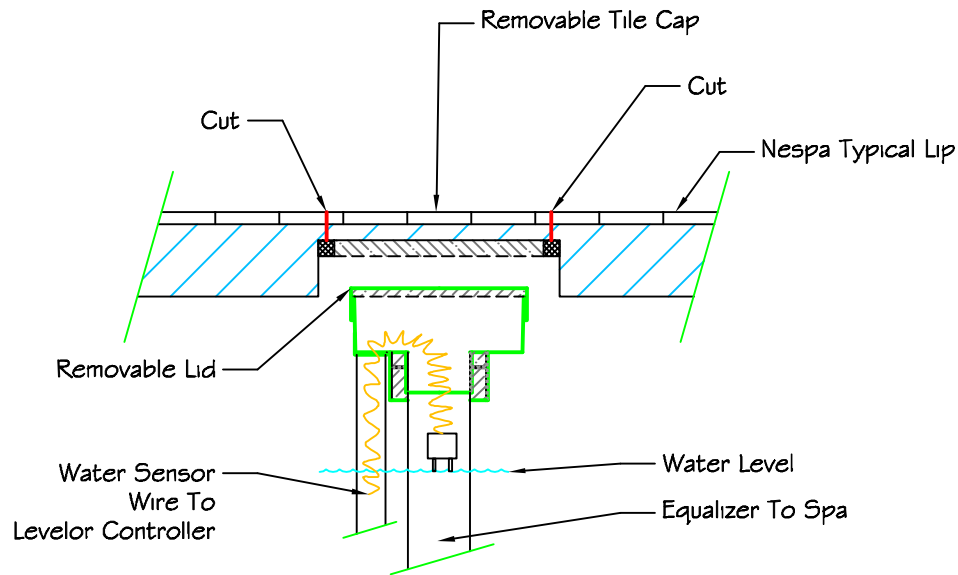
**NESPA ENTERPRISES INC.**  
 2800 Richter Ave. Suite C Oroville, CA 95966  
 Office: (530) 534-9910 Fax: (530) 534-9915  
 E-Mail: [sales@tiledspas.com](mailto:sales@tiledspas.com) Web Site: [www.tiledspas.com](http://www.tiledspas.com)



SIZE A	DWG TYPE Waterfill	DWG NO. PORTLAND STATE UNIV	REV 1
SCALE 1" = 1'		DATE 11/27/2007	SHEET PAGE 7 OF 14

These drawings, concepts, and details contained herein are the original proprietary designs of NESPA ENTERPRISES, developed over many years of experience in the pool and spa industry and as such are protected by the copyright laws of the United States Government. Reproduction of any of the above without written permission to do so by NESPA ENTERPRISES, is illegal.





\*ALL DIMENSIONS SUBJECT TO 1/4" TOLERANCES\*

These drawings, concepts, and details contained herein are the original proprietary designs of NESPA ENTERPRISES, developed over many years of experience in the pool and spa industry and as such are protected by the copyright laws of the United States Government. Reproduction of any of the above without written permission to do so by NESPA ENTERPRISES, is illegal.

**NESPA ENTERPRISES INC.**

2800 Richter Ave. Ste. C Oroville, CA 95966

Office: (530) 534-9910

Fax: (530) 534-9915

E-Mail: [sales@tiledspas.com](mailto:sales@tiledspas.com)

Web Site: [www.tiledspas.com](http://www.tiledspas.com)



SIZE DWG NAME

A

PORTLAND STATE UNIV

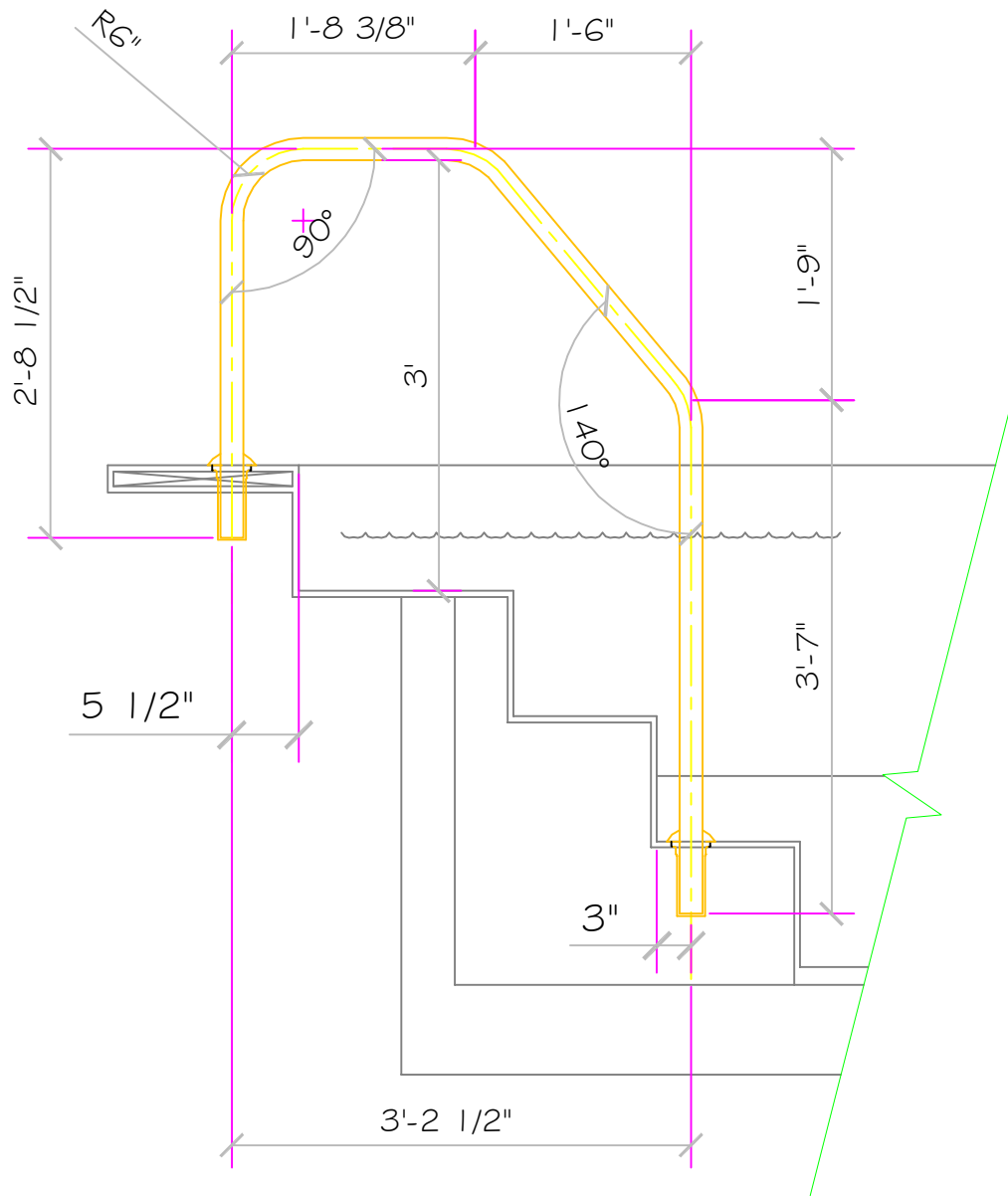
DWG TYPE

Leveler Deck Detail

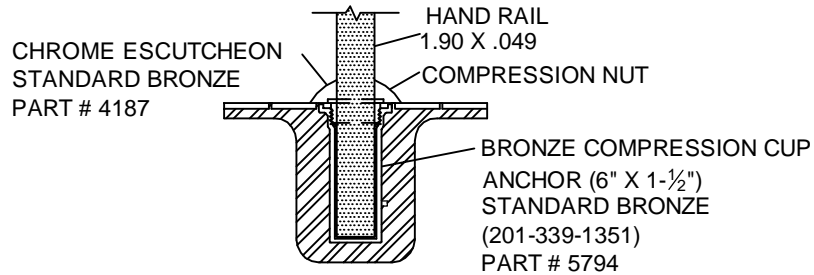
SCALE 2" = 1'

DATE 12/11/2007

SHEET PAGE 8 OF 14



**COMPRESSION  
ANCHOR**



NOTE: DETAIL REFLECTS ANCHOR  
INSTALLATION IN NESPA SHELLS  
ONLY. DECK INSTALLATION WILL  
REQUIRE #8 BOND WIRE ATACHED  
TO BONDING GRID.

\*ALL DIMENSIONS SUBJECT TO 1/4" TOLERANCES\*

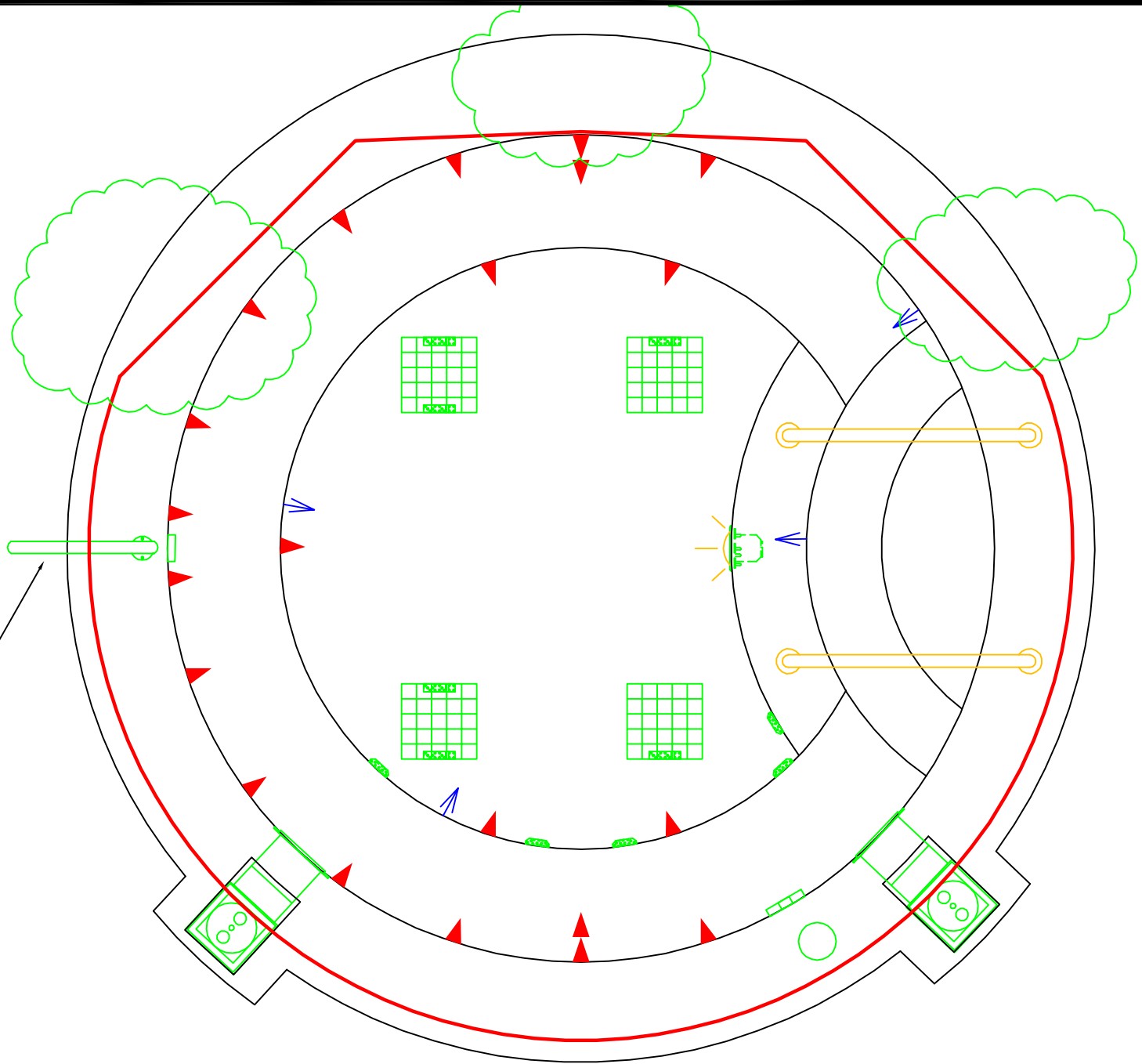
**NESPA ENTERPRISES INC.**  
2800 Richter Ave. Suite C Oroville, CA 95966  
Office: (530) 534-9910 Fax: (530) 534-9915  
E-Mail: [sales@tiledspas.com](mailto:sales@tiledspas.com) Web Site: [www.tiledspas.com](http://www.tiledspas.com)



SIZE <b>A</b>	DWG TYPE <b>HANDRAIL</b>	DWG NO. <b>PORTLAND STATE UNIV</b>	REV <b>1</b>
SCALE <b>3/4" = 1'</b>	DATE <b>10/2/2008</b>	SHEET <b>PAGE 9 OF 14</b>	

These drawings, concepts, and details contained herein are the original proprietary designs of NESPA ENTERPRISES, developed over many years of experience in the pool and spa industry and as such are protected by the copyright laws of the United States Government. Reproduction of any of the above without written permission to do so by NESPA ENTERPRISES, is illegal.

TRANSITION WALL HANDRAIL  
By Others



\*ALL DIMENSIONS SUBJECT TO 1/4" TOLERANCES\*

These drawings, concepts, and details contained herein are the original proprietary designs of NESPA ENTERPRISES, developed over many years of experience in the pool and spa industry and as such are protected by the copyright laws of the United States Government. Reproduction of any of the above without written permission to do so by NESPA ENTERPRISES, is illegal.

**NESPA ENTERPRISES INC.**

2800 Richter Ave. Ste. C Oroville, CA 95966

Office: (530) 534-9910

Fax: (530) 534-9915

E-Mail: [sales@tiledspas.com](mailto:sales@tiledspas.com) Web Site: [www.tiledspas.com](http://www.tiledspas.com)



SIZE  
A

DWG TYPE  
Handrail2

DWG NO.

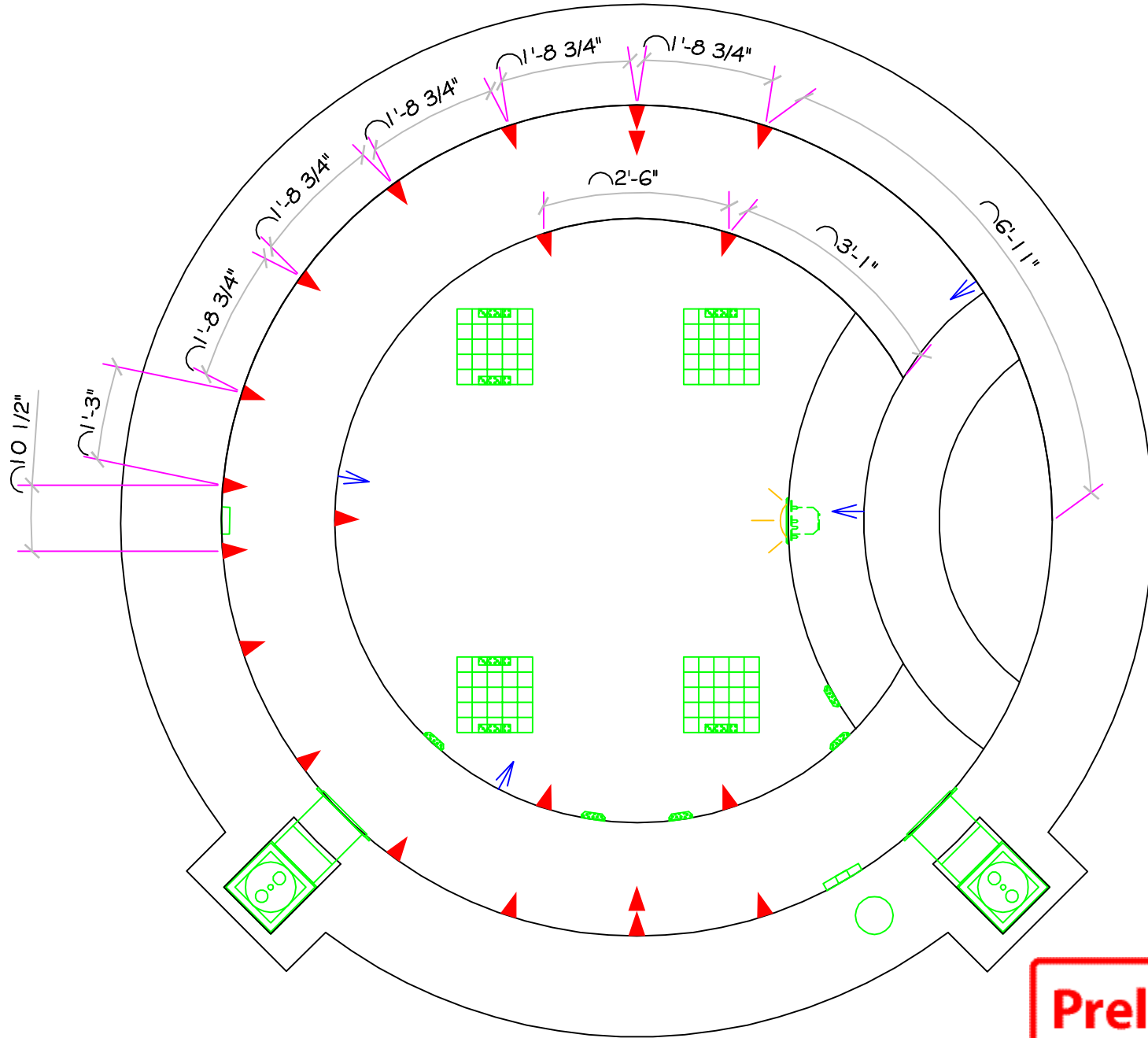
PORTLAND STATE UNIV

REV  
1

SCALE 1/2" = 1'

DATE 10/2/2008

SHEET PAGE 2 OF 2



**Preliminary**

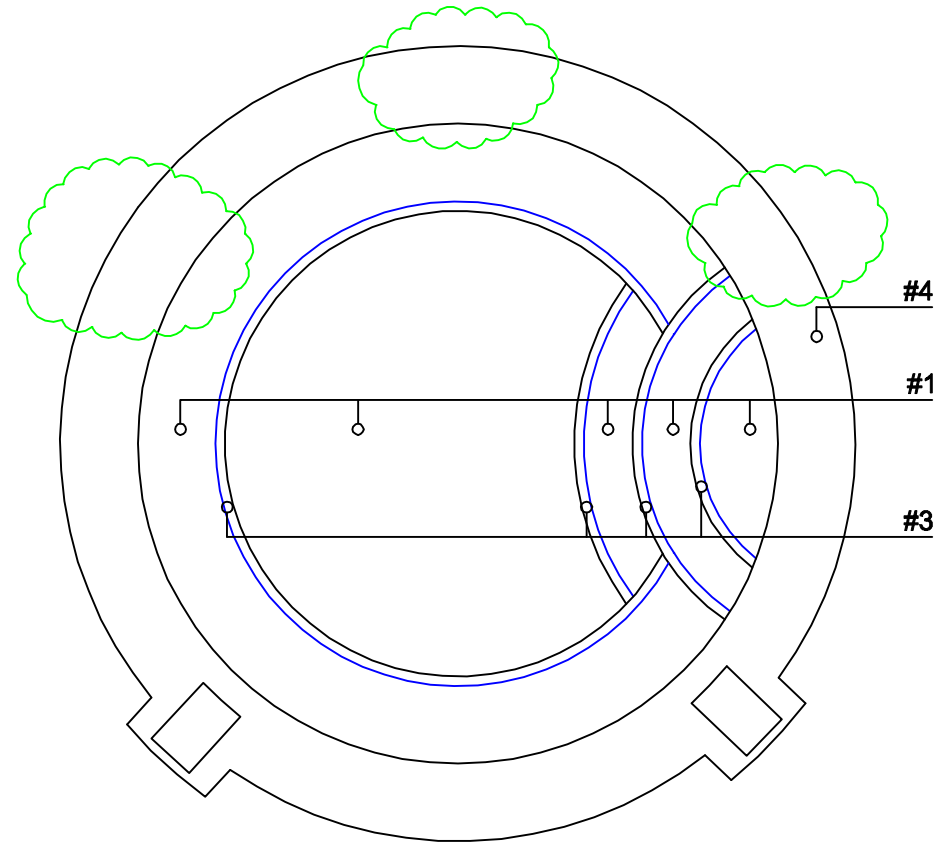
SCALE 1/2" = 1'

PLOT TIME Nov 03, 2008 - 4:12pm

DWG NAME PORTLAND STATE UNIV

DWG TYPE Jet Placement

- 193 Sq Ft** #1 - FIELD TILE: CT-4 D 317 Biscuit
- 17.3 Sq Ft** #2 - WATERLINE (optional): CT-5 Custom Blend  
10% D 317 Biscuit  
60% D 197 Aqua Glow  
30% D148 Spa  
(Make D197 + D148 - Surface Only)
- 6.5 Sq Ft** #3 - BENCH & STEP EDGES (optional): CT-5 Custom Blend  
10% D 317 Biscuit  
60% D 197 Aqua Glow  
30% D148 Spa  
(Make D197 + D148 - Surface Only)
- 49 Sq Ft** #4 - TILED LIP (optional): CT-5 Custom Blend  
10% D 317 Biscuit  
60% D 197 Aqua Glow  
30% D148 Spa  
(Make D197 + D148 - Surface Only)



Date: \_\_\_\_\_

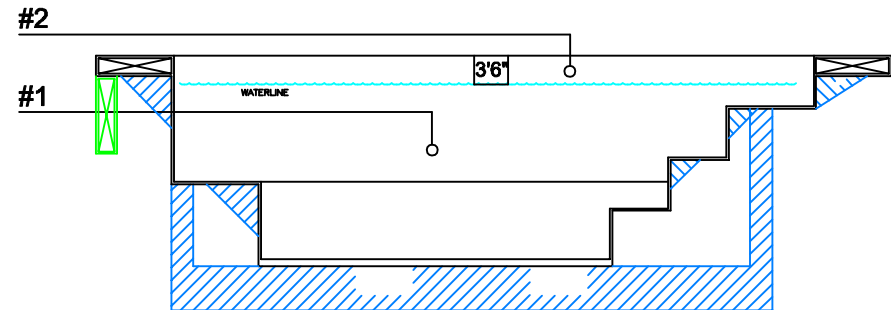
Approval: \_\_\_\_\_

Manufacturer: Laticrete  
Color: "Sea Glass"

#1 - GROUT: \_\_\_\_\_

#2 - GROUT: \_\_\_\_\_

#3 - GROUT: \_\_\_\_\_



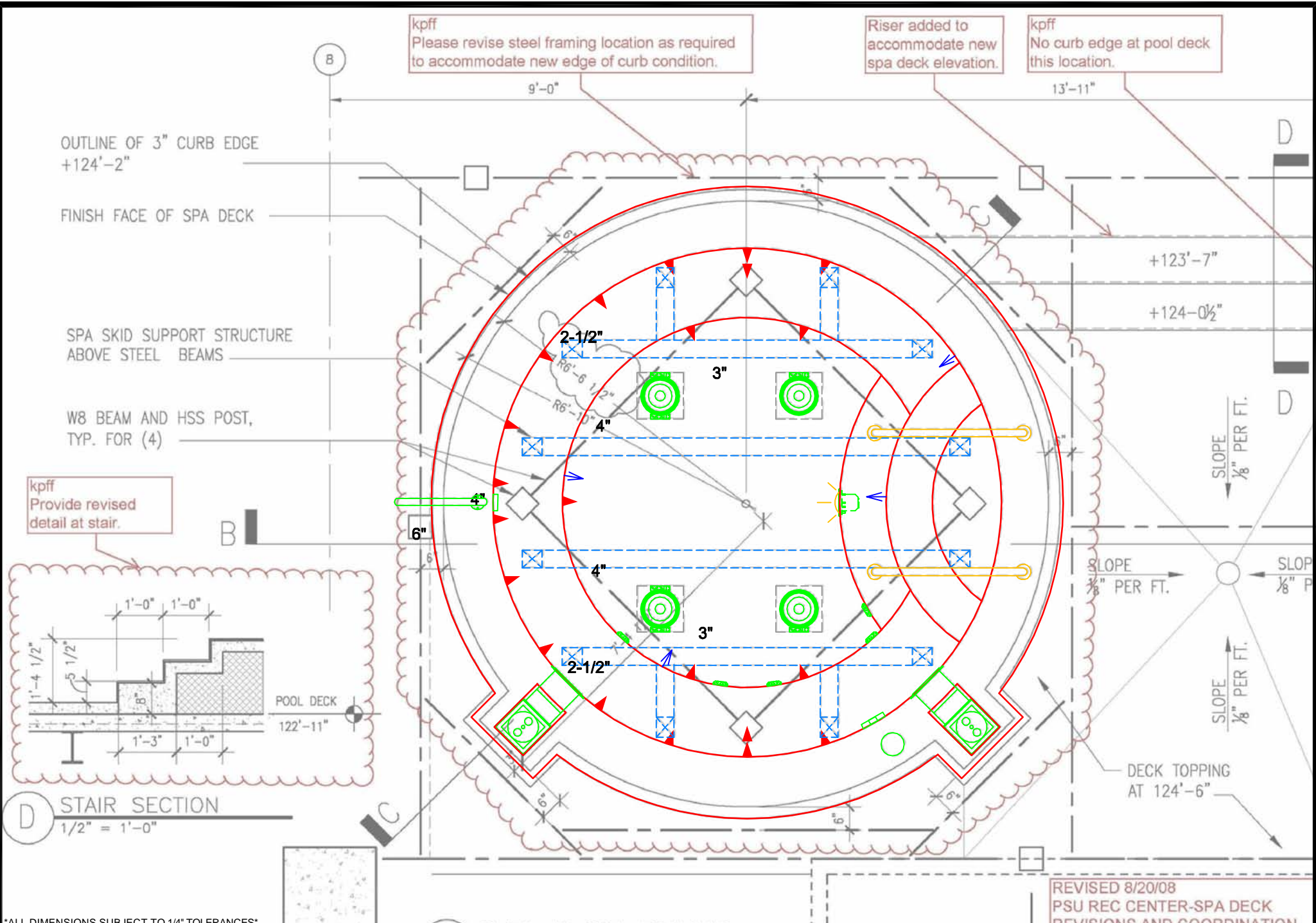
\*ALL DIMENSIONS SUBJECT TO 1/4" TOLERANCES\*

These drawings, concepts, and details contained herein are the original proprietary designs of NESPA ENTERPRISES, developed over many years of experience in the pool and spa industry and as such are protected by the copyright laws of the United States Government. Reproduction of any of the above without written permission to do so by NESPA ENTERPRISES, is illegal.

**NESPA ENTERPRISES INC.**  
2800 Richter Ave. Ste. C Oroville, CA 95966  
Office: (530) 534-9910 Fax: (530) 534-9915  
E-Mail: [sales@tiledspas.com](mailto:sales@tiledspas.com) Web Site: [www.tiledspas.com](http://www.tiledspas.com)



SIZE <b>A</b>	DWG TYPE <b>TILE DETAIL</b>	DWG NO. <b>PORTLAND STATE UNIV</b>	REV <b>3</b>
SCALE <b>N/A</b>	DATE <b>9/24/2008</b>	SHEET <b>PAGE 10 OF 14</b>	



\*ALL DIMENSIONS SUBJECT TO 1/4" TOLERANCES\*

These drawings, concepts, and details contained herein are the original proprietary designs of NESPA ENTERPRISES, developed over many years of experience in the pool and spa industry and as such are protected by the copyright laws of the United States Government. Reproduction of any of the above without written permission to do so by NESPA ENTERPRISES, is illegal.

**NESPA ENTERPRISES INC.**  
 2800 Richter Ave. Ste. C Oroville, CA 95966  
 Office: (530) 534-9910 Fax: (530) 534-9915  
 E-Mail: [sales@tiledspas.com](mailto:sales@tiledspas.com) Web Site: [www.tiledspas.com](http://www.tiledspas.com)



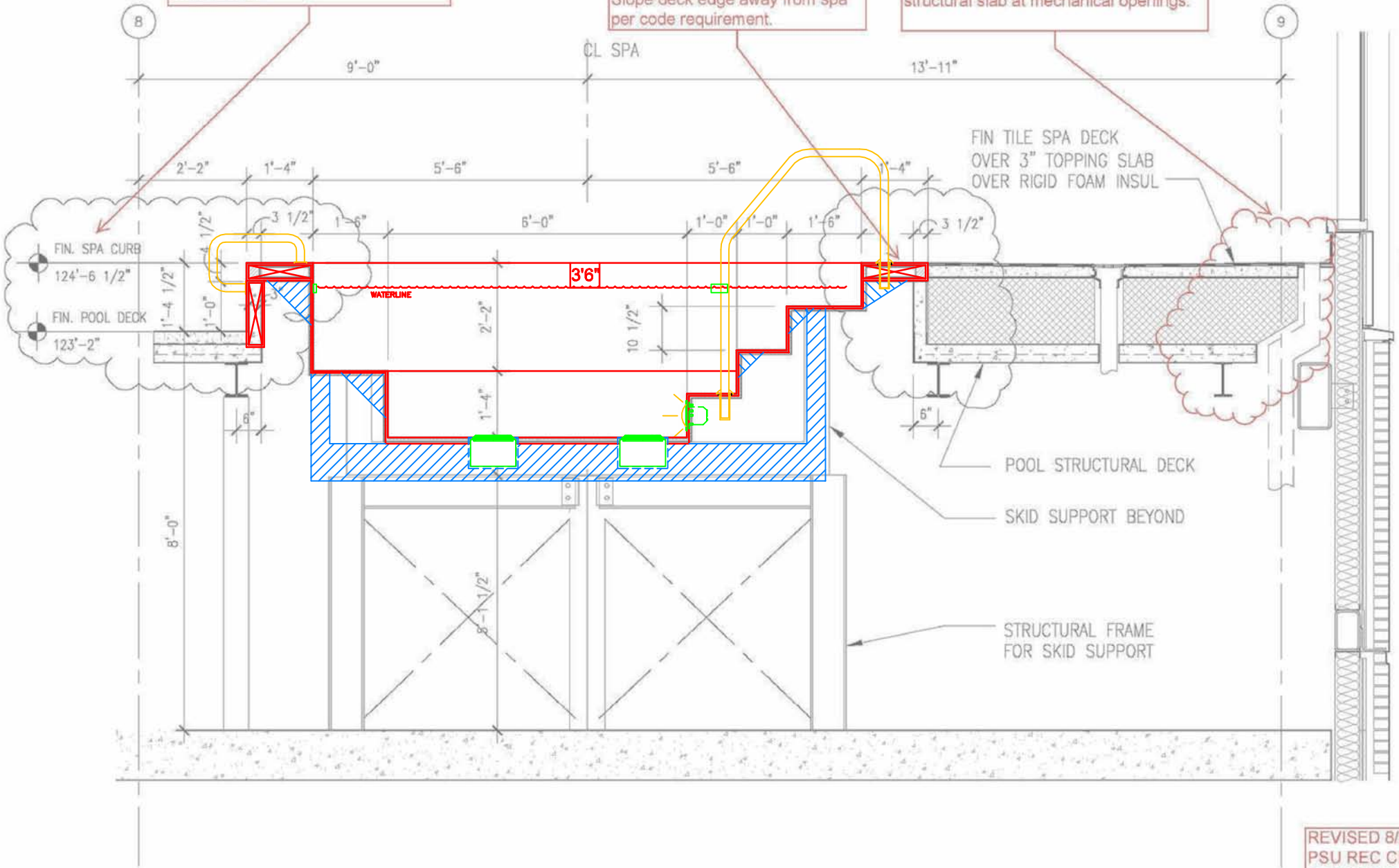
SIZE	DWG TYPE	DWG NO.	REV
A	STEEL DETAIL	PORTLAND STATE UNIV	0
SCALE	N/A	DATE	SHEET
		8/22/2008	PAGE 11 OF 14

REVISED 8/20/08  
 PSU REC CENTER-SPA DECK  
 REVISIONS AND COORDINATION

Revised finished spa curb elevation based on steel shop drawings for spa support and NESPA finished spa dimensions.

Greg,  
Please verify. No curb at spa deck level per code requirements. Slope deck edge away from spa per code requirement.

kpff,  
Please confirm rigid board insulation and topping slab can extend past edge of structural slab at mechanical openings.



REVISED 8/22  
PSU REC CE  
REVISIONS

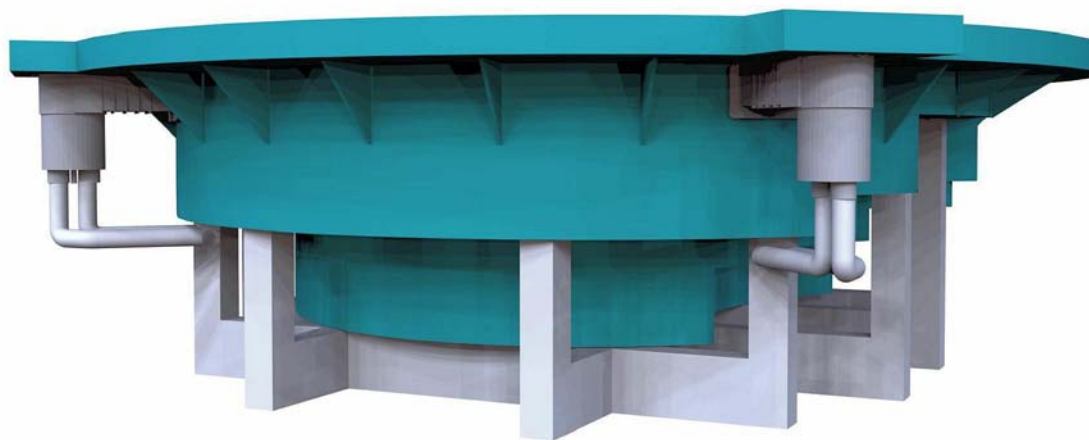
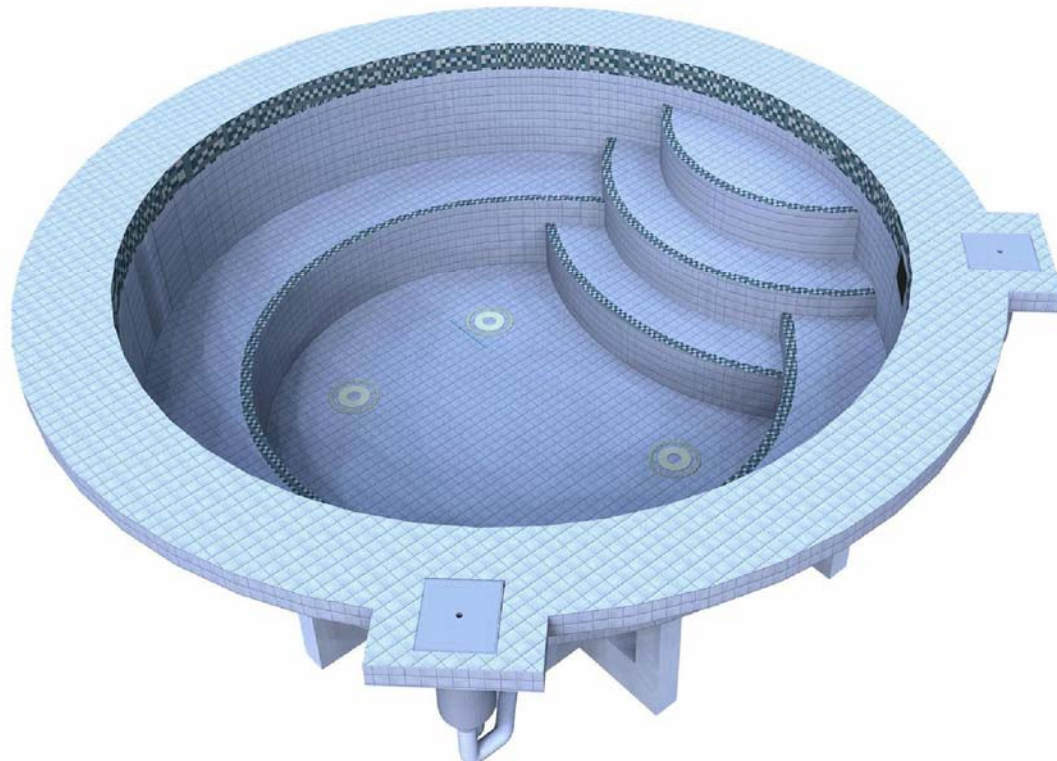
\*ALL DIMENSIONS SUBJECT TO 1/4" TOLERANCES\*

These drawings, concepts, and details contained herein are the original proprietary designs of NESPA ENTERPRISES, developed over many years of experience in the pool and spa industry and as such are protected by the copyright laws of the United States Government. Reproduction of any of the above without written permission to do so by NESPA ENTERPRISES, is illegal.

**NESPA ENTERPRISES INC.**  
2800 Richter Ave. Ste. C Oroville, CA 95966  
Office: (530) 534-9910 Fax: (530) 534-9915  
E-Mail: [sales@tiledspas.com](mailto:sales@tiledspas.com) Web Site: [www.tiledspas.com](http://www.tiledspas.com)



DWG TYPE	DWG NO.	REV
STEEL DETAIL (2)	PORTLAND STATE UNIV	0
SCALE	DATE	SHEET
N/A	8/22/2008	PAGE 12 OF 14



\*ALL DIMENSIONS SUBJECT TO 1/4" TOLERANCES\*

These drawings, concepts, and details contained herein are the original proprietary designs of NESPA ENTERPRISES, developed over many years of experience in the pool and spa industry and as such are protected by the copyright laws of the United States Government. Reproduction of any of the above without written permission to do so by NESPA ENTERPRISES, is illegal.

**NESPA ENTERPRISES INC.**

2800 Richter Ave. Ste. C Oroville, CA 95966

Office: (530) 534-9910

Fax: (530) 534-9915

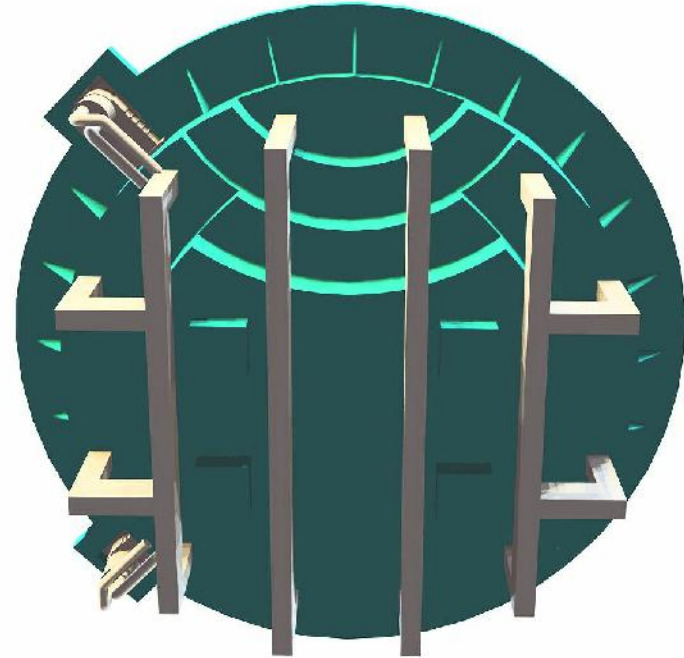
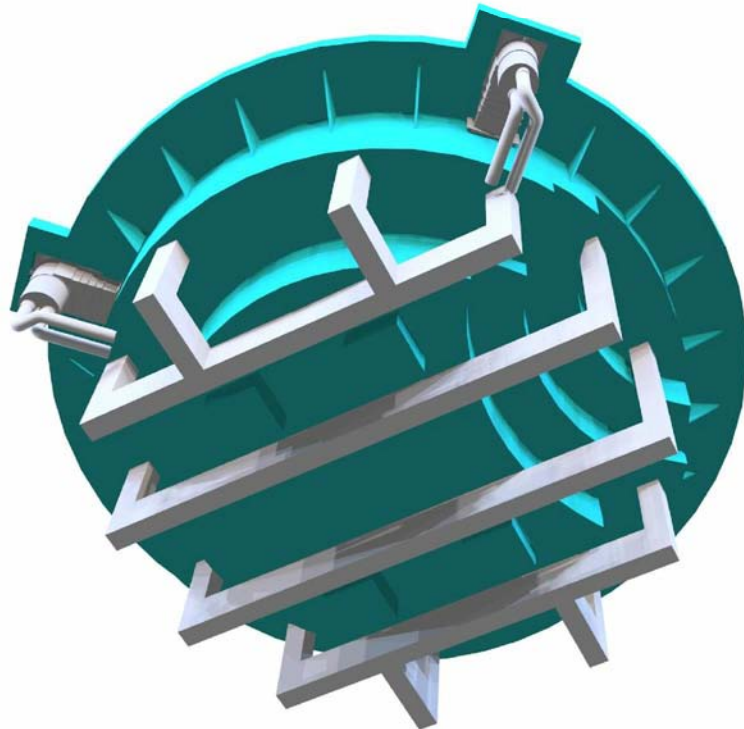
E-Mail: [sales@tiledspas.com](mailto:sales@tiledspas.com)

Web Site: [www.tiledspas.com](http://www.tiledspas.com)



DWG TYPE	DWG NO.	REV
A	PORTLAND STATE UNIV	0
Render		
SCALE	DATE	SHEET
N/A	10/28/2008	PAGE 13 OF 14





\*ALL DIMENSIONS SUBJECT TO 1/4" TOLERANCES\*

These drawings, concepts, and details contained herein are the original proprietary designs of NESPA ENTERPRISES, developed over many years of experience in the pool and spa industry and as such are protected by the copyright laws of the United States Government. Reproduction of any of the above without written permission to do so by NESPA ENTERPRISES, is illegal.

**NESPA ENTERPRISES INC.**

2800 Richter Ave. Ste. C Oroville, CA 95966

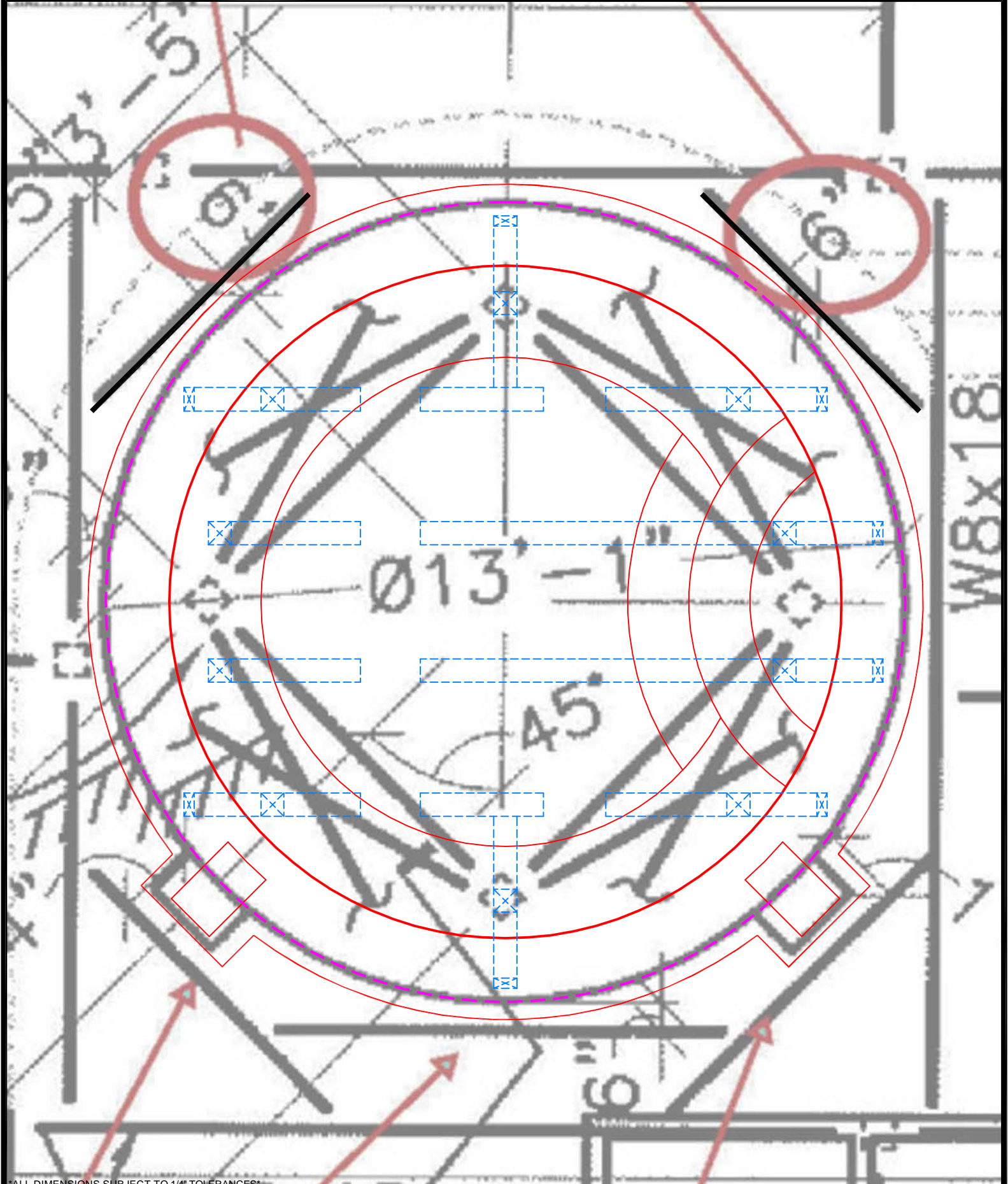
Office: (530) 534-9910

Fax: (530) 534-9915

E-Mail: [sales@tiledspas.com](mailto:sales@tiledspas.com) Web Site: [www.tiledspas.com](http://www.tiledspas.com)



DWG TYPE		DWG NO.		REV
A	Render (2)	PORTLAND STATE UNIV		0
SCALE	N/A	DATE	8/15/2008	SHEET PAGE 14 OF 14



\*ALL DIMENSIONS SUBJECT TO 1/4" TOLERANCES\*

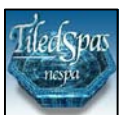
**NESPA ENTERPRISES INC.**

2800 Richter Ave. Suite C Oroville, CA 95966

Office: (530) 534-9910

Fax: (530) 534-9915

E-Mail: [sales@tiledspas.com](mailto:sales@tiledspas.com) Web Site: [www.tiledspas.com](http://www.tiledspas.com)



DWG TYPE  
**SPA SUPPORT**

DWG NO.  
**PORTLAND STATE UNIV**

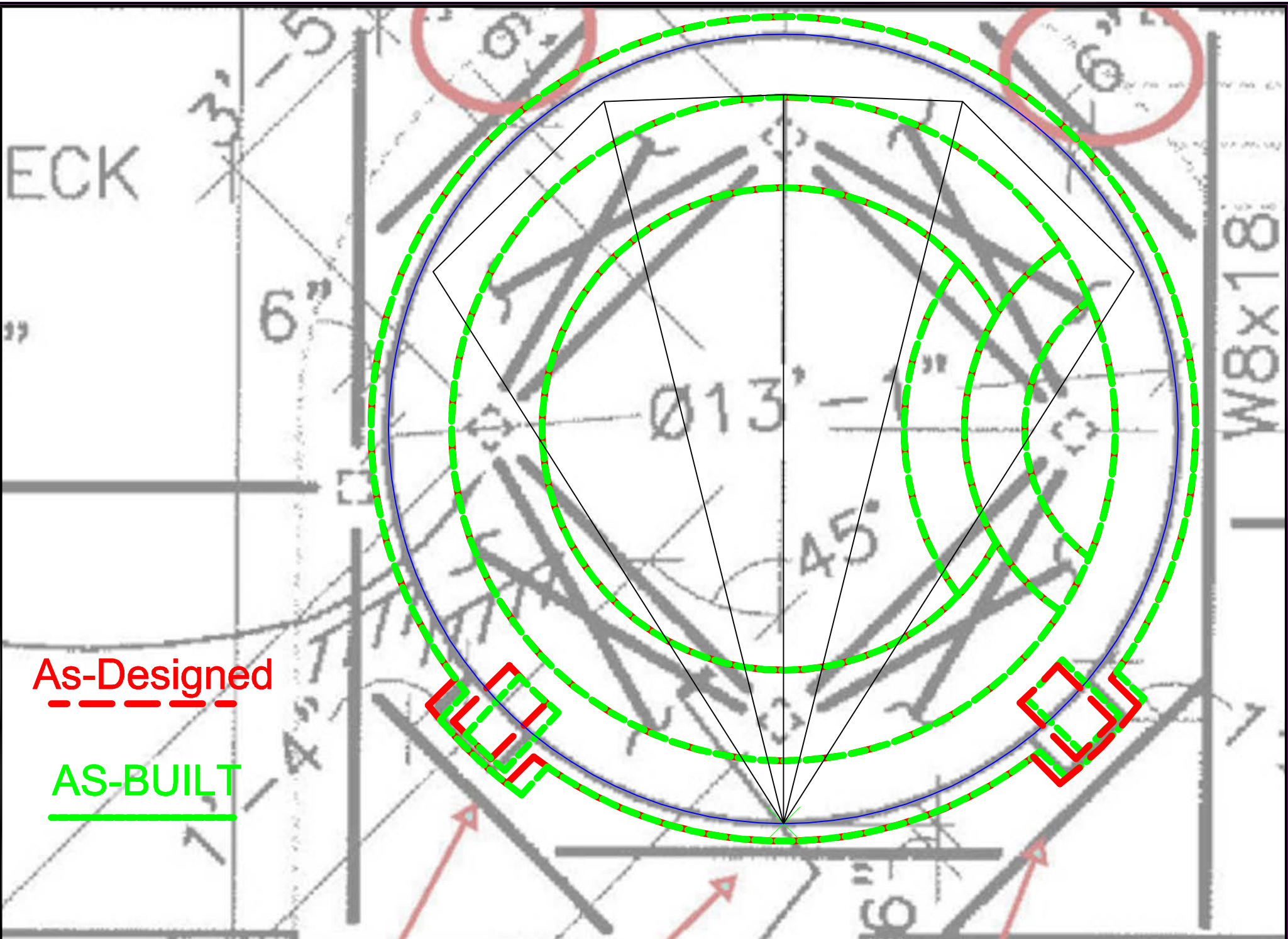
REV  
**0**

SCALE **1/2" = 1'**

DATE **10/7/2008**

SHEET **PAGE 1 OF 1**

These drawings, concepts, and details contained herein are the original proprietary designs of NESPA ENTERPRISES, developed over many years of experience in the pool and spa industry and as such are protected by the copyright laws of the United States Government. Reproduction of any of the above without written permission to do so by NESPA ENTERPRISES, is illegal.



As-Designed



AS-BUILT

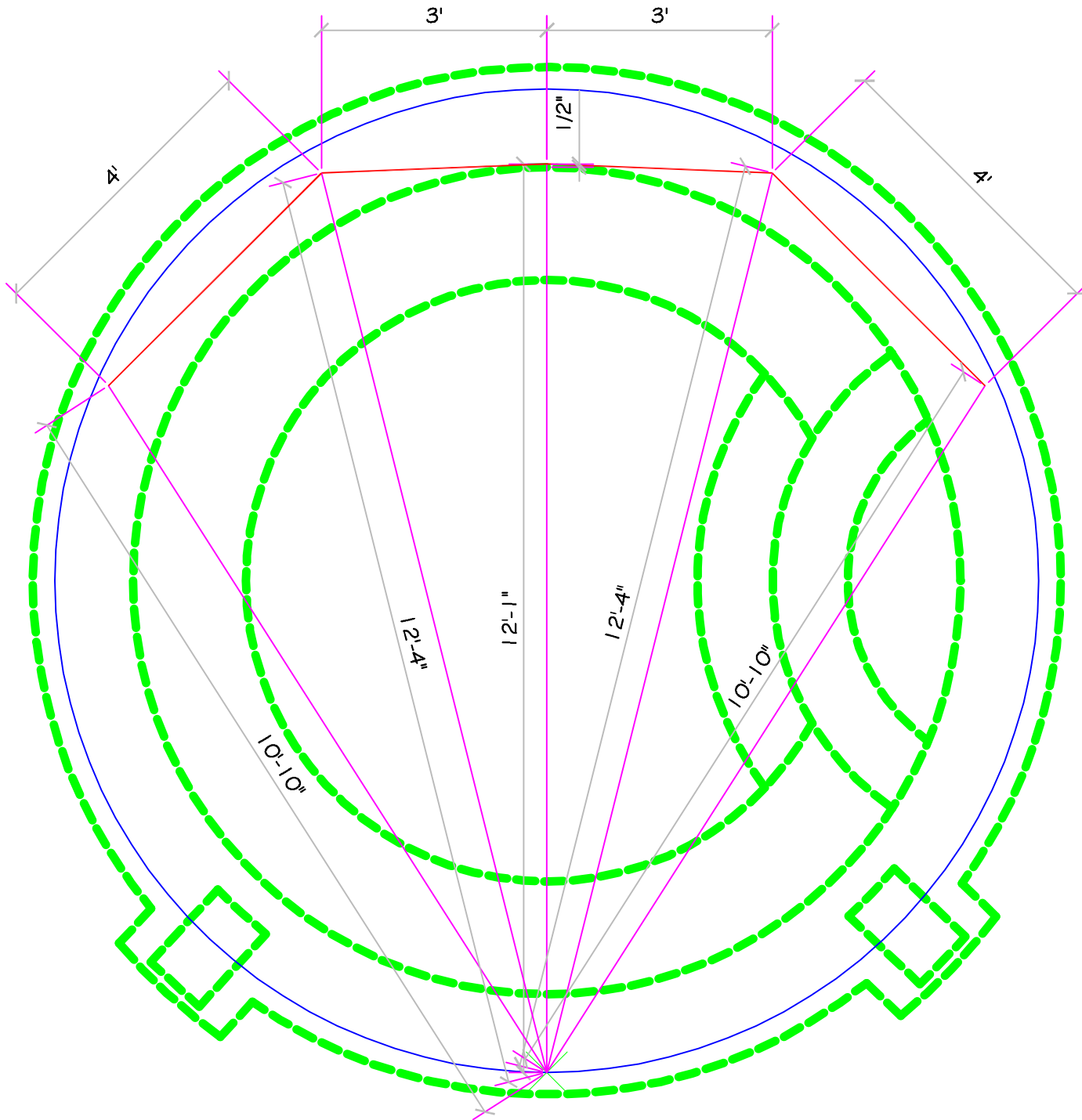


SCALE 1/2" = 1'

PLOT TIME Feb 06, 2009 - 10:06am

DWG NAME PORTLAND STATE UNIV

DWG TYPE Skimmer Placement

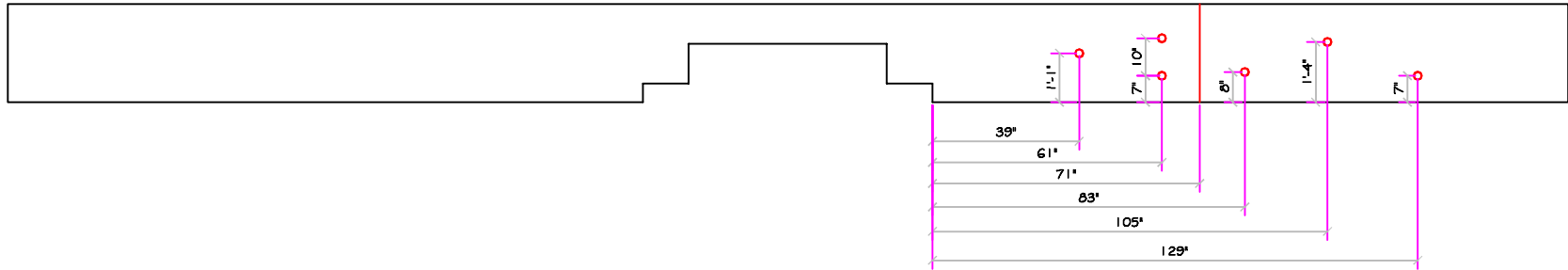


SCALE 1/2" = 1'

PLOT TIME Feb 06, 2009 - 10:06am

DWG NAME PORTLAND STATE UNIV

DWG TYPE SPA OPENING

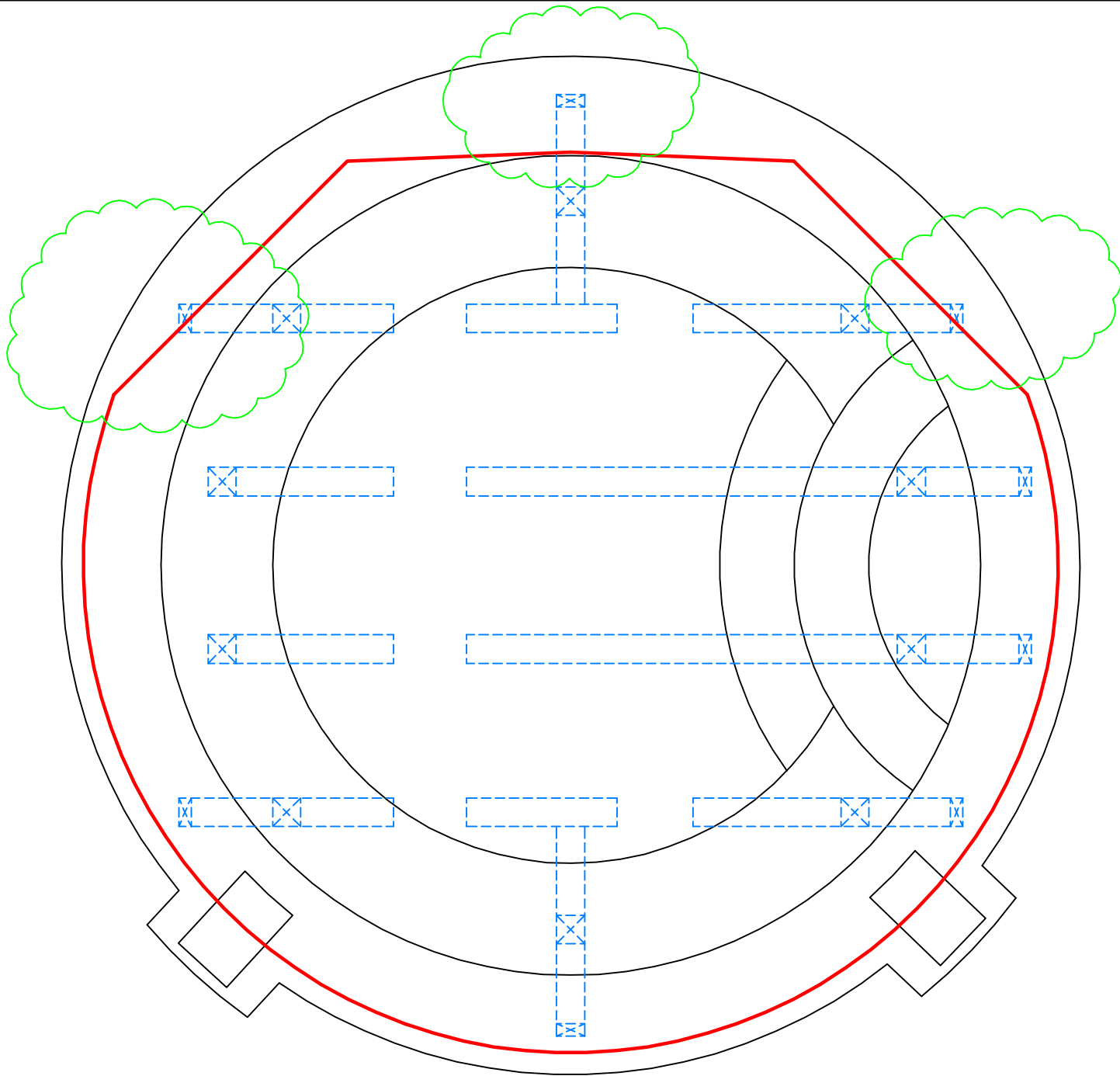


SCALE 1/4" = 1'

PLOT TIME Feb 06, 2009 - 10:06am

DWG NAME PORTLAND STATE UNIV

DWG TYPE Jet Locations



SCALE 1/2" = 1'

PLOT TIME

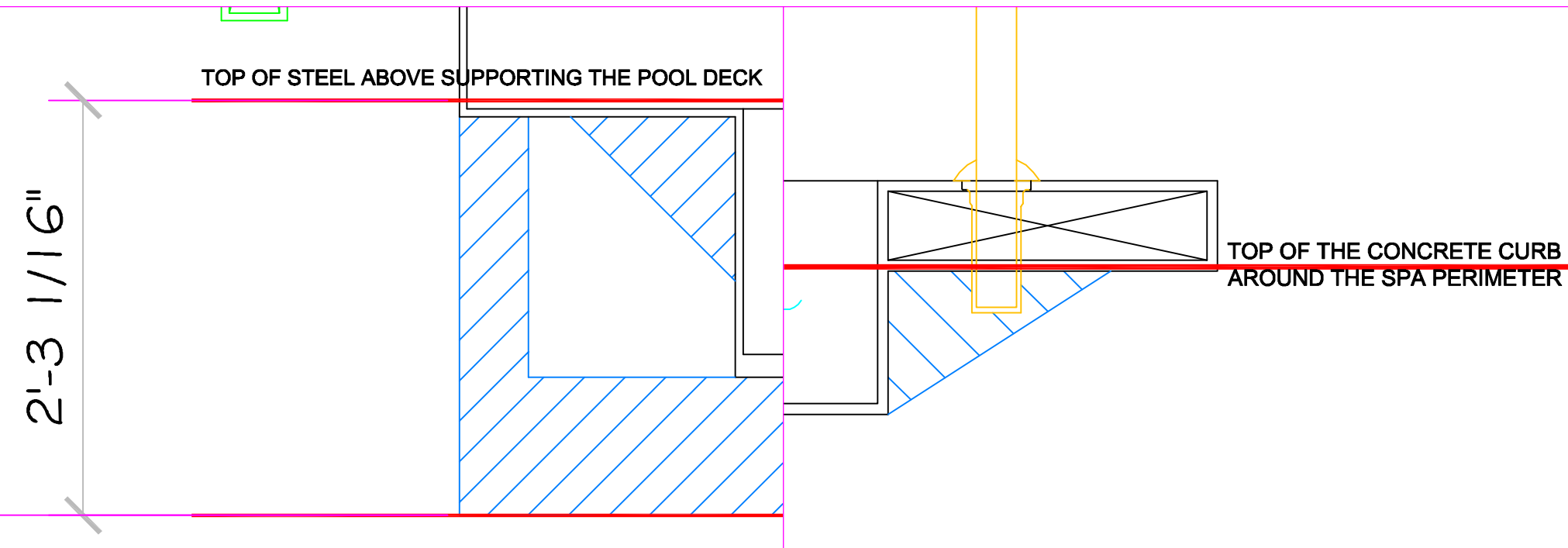
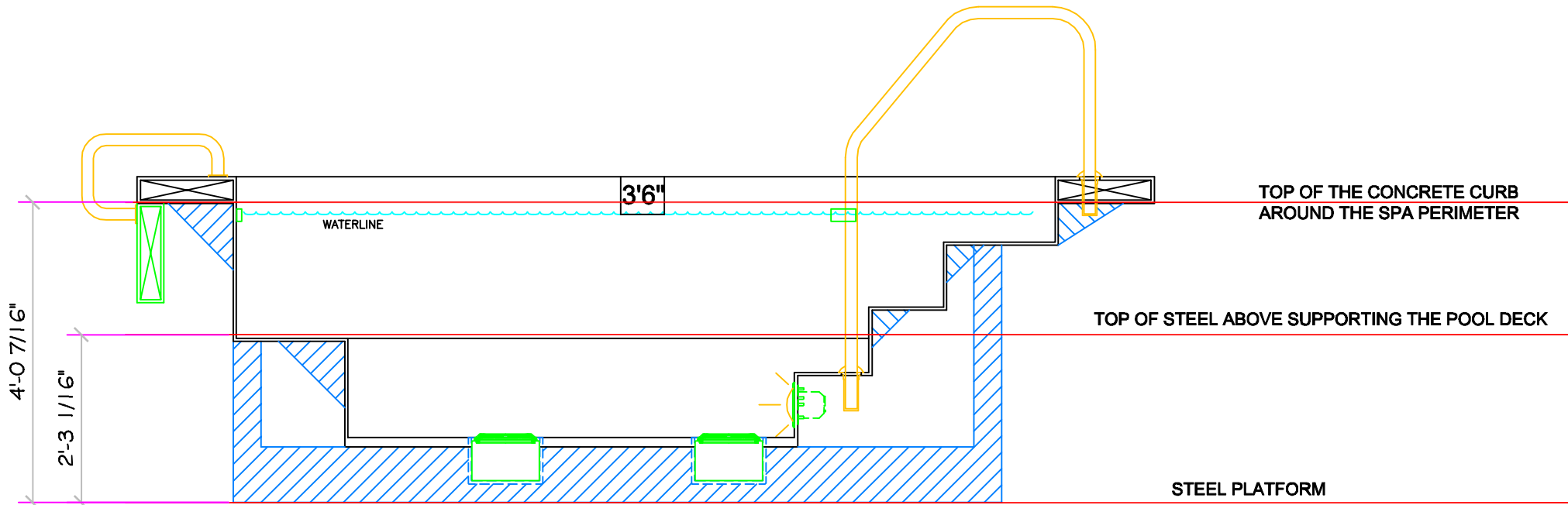
Feb 06, 2009 - 10:06am

DWG NAME

PORTLAND STATE UNIV

DWG TYPE

Skid Interference

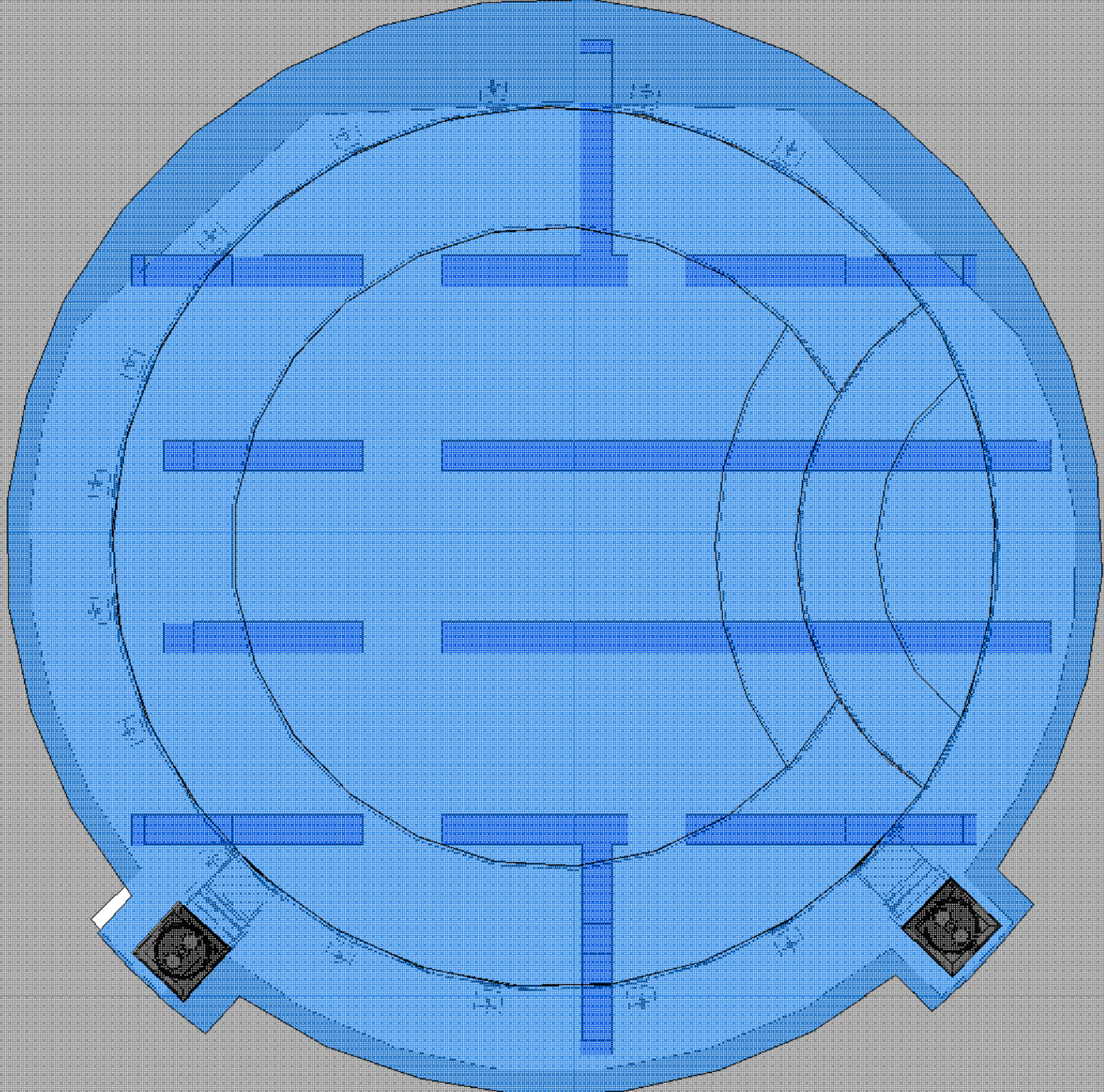


SCALE 1/2" = 1'

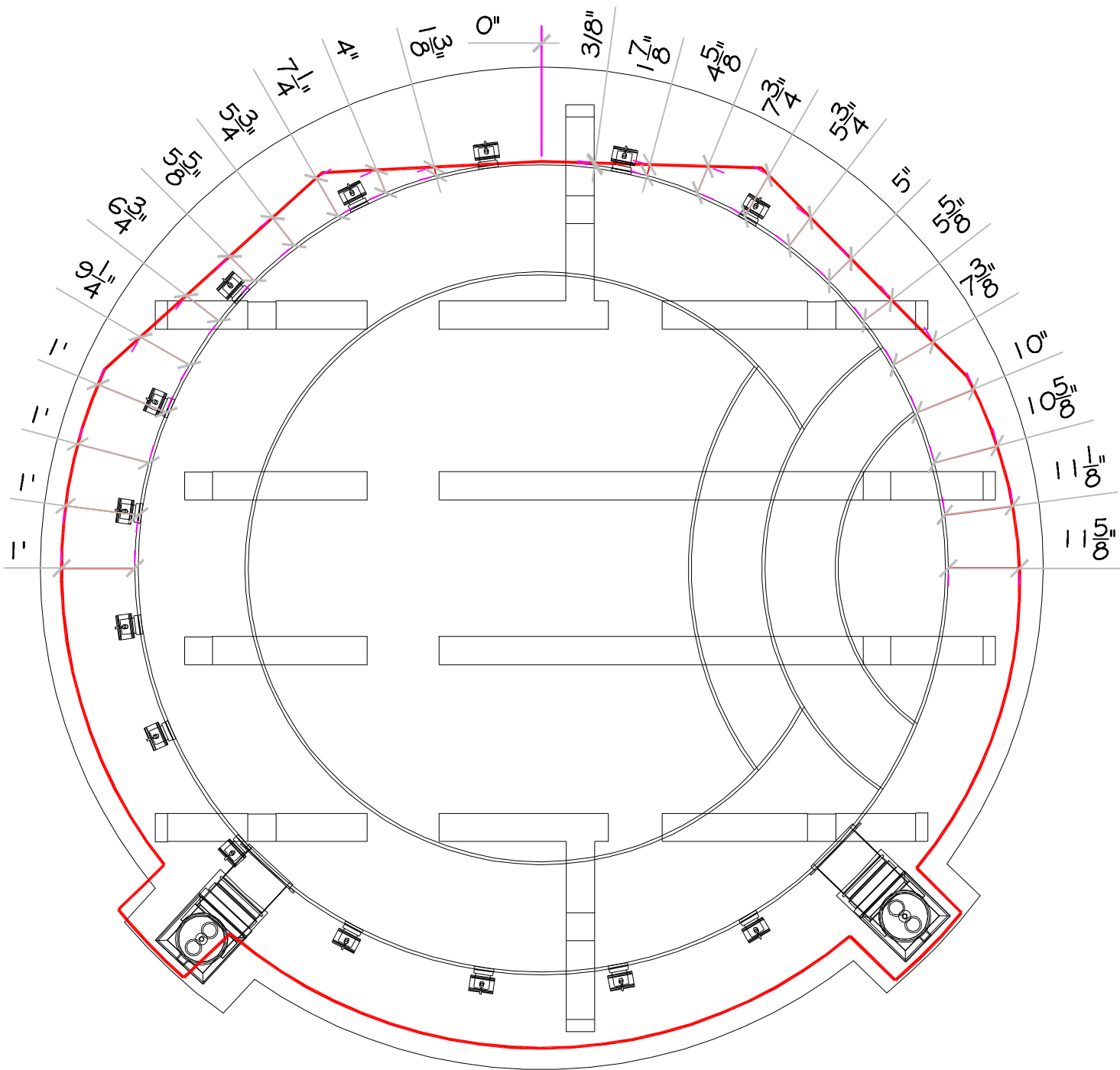
PLOT TIME Feb 06, 2009 - 9:52am

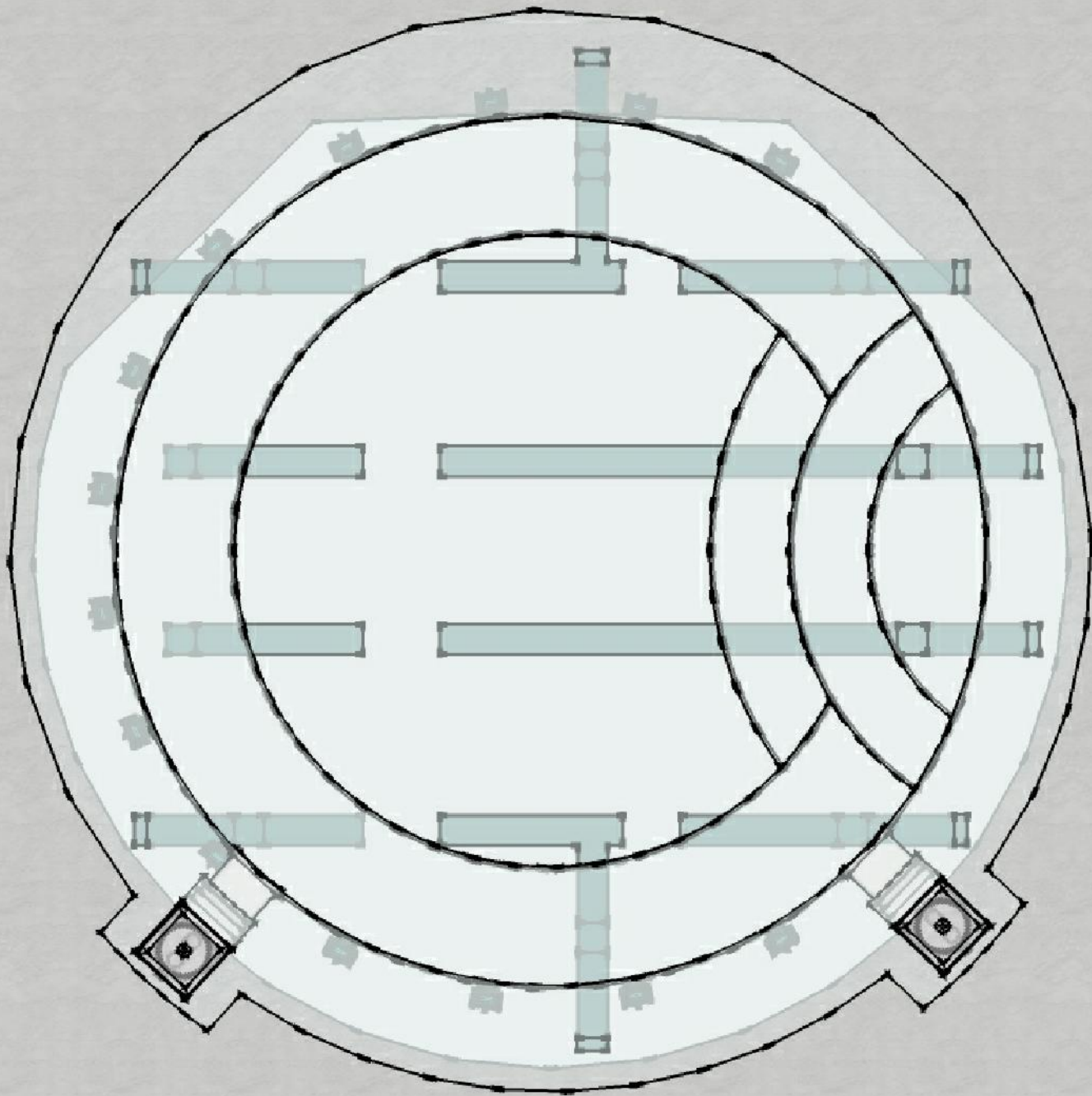
DWG NAME PSU\_FIT

DWG TYPE VAULT (4)







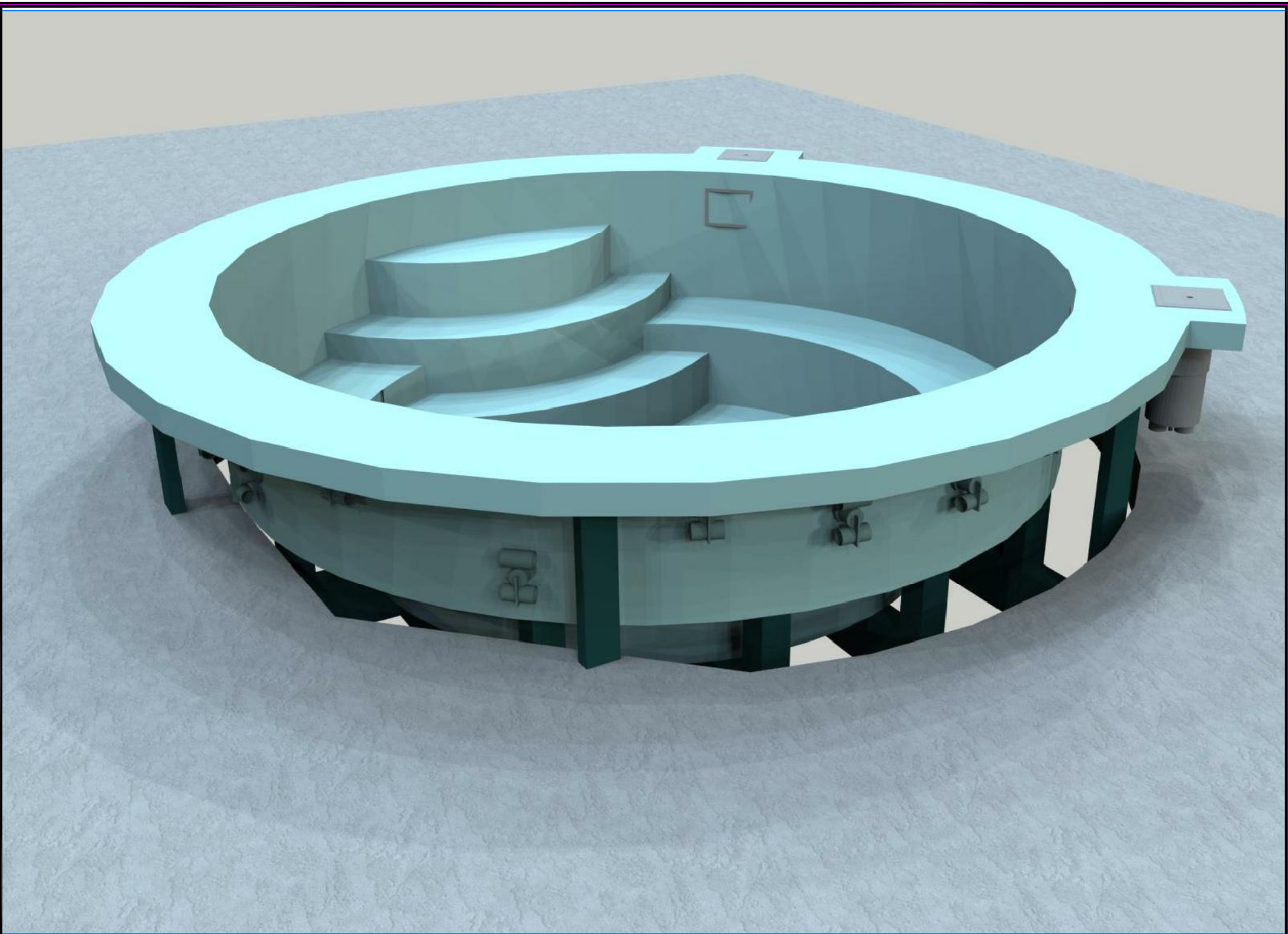


SCALE N/A

PLOT TIME Feb 06, 2009 - 9:55am

DWG NAME PSU\_SKP\_TEST

DWG TYPE Render1



SCALE N/A

PLOT TIME Feb 06, 2009 - 9:55am

DWG NAME PSU\_SKP\_TEST

DWG TYPE Render (2)

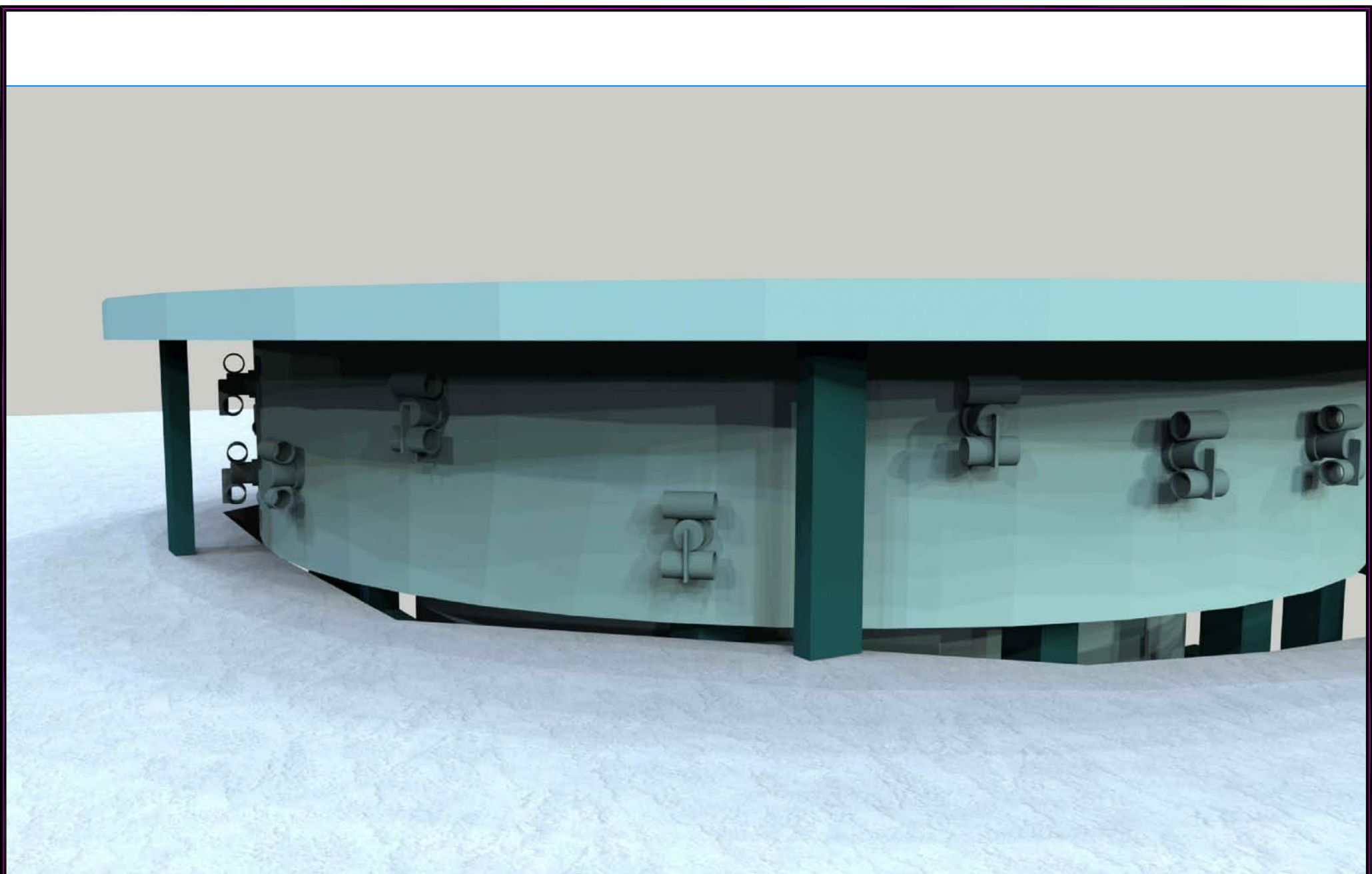


SCALE N/A

PLOT TIME Feb 06, 2009 - 9:55am

DWG NAME PSU\_SKP\_TEST

DWG TYPE Render (3)



SCALE N/A

PLOT TIME Feb 06, 2009 - 9:55am

DWG NAME PSU\_SKP\_TEST

DWG TYPE Render (4)