



NESPA ENTERPRISES INC.

2800 Richter Ave. Suite C
 Oroville, CA 95966
 Office: (530) 534-9910
 Fax: (530) 534-9915
 E-Mail: sales@tiledspas.com
 Web Site: www.tiledspas.com

ALL DIMENSIONS SUBJECT TO 1/4" TOLERANCES

KIDNEY

Spa Detail

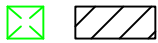
SCALE: 1/2" = 1'-0"

DATE: 5/19/2006

JOB: MESSENGER

DR#: SD-02

SKID SUPPORT STRUCTURE BONDED TO SPA



MAIN DRAIN



LIGHT NICH

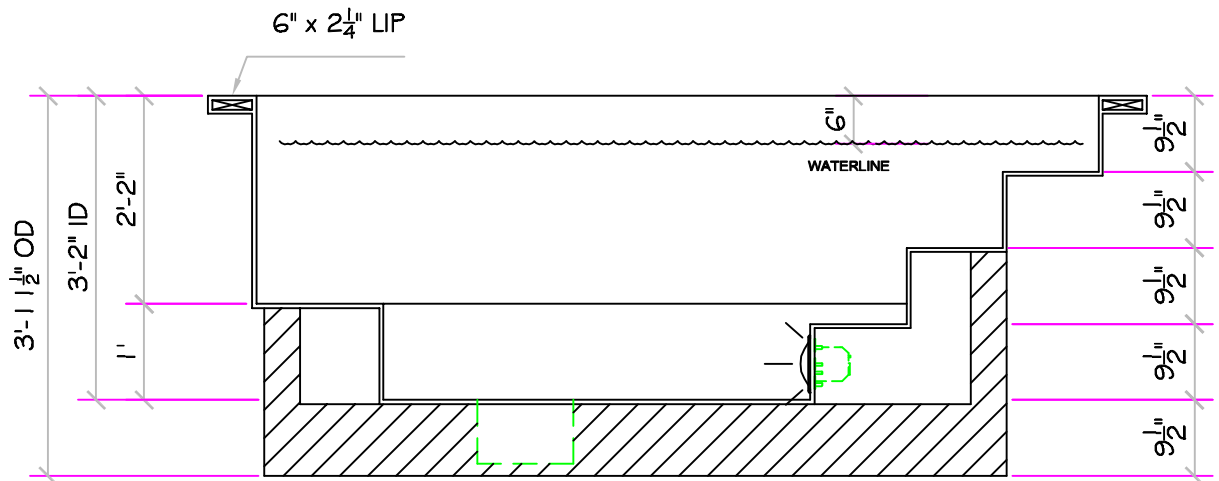
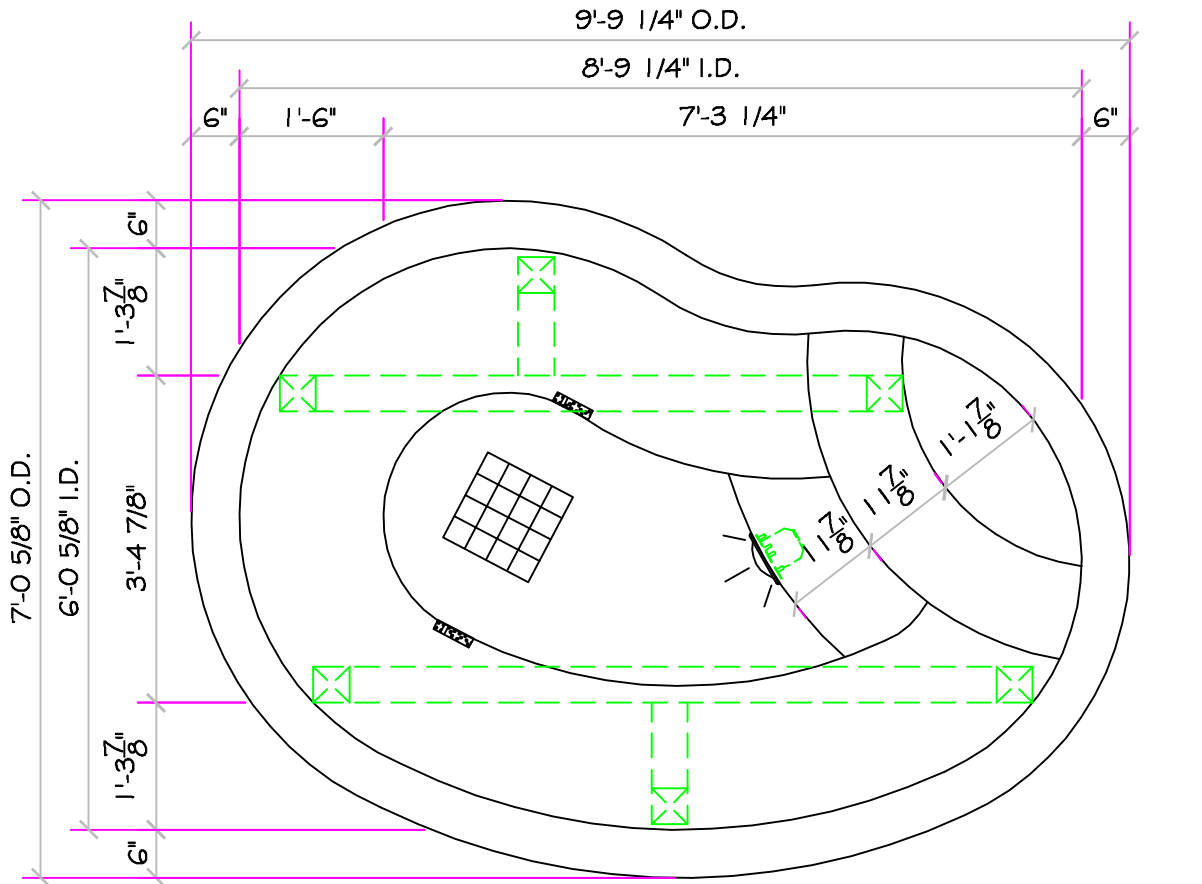


JACUZZI SV FRONT



SPECIFICATIONS

DRY WEIGHT: lbs.
 WET WEIGHT: 5250+ lbs.
 WATER: 630 GALLONS
 SURFACE AREA: 40 sq.ft.
 IAPMO#: 1138
 FDA#: 2030305



These drawings, concepts, and details contained herein are the original proprietary designs of NESPA ENTERPRISES, developed over many years of experience in the pool and spa industry and as such are protected by the copyright laws of the United States Government. Reproduction of any of the above without written permission to do so by NESPA ENTERPRISES, is illegal.



NESPA ENTERPRISES INC.

2800 Richter Ave. Suite C
Oroville, CA 95966
Office: (530) 534-9910
Fax: (530) 534-9915
E-Mail: sales@tiledspas.com
Web Site: www.tiledspas.com

KIDNEY

Plumbing Detail

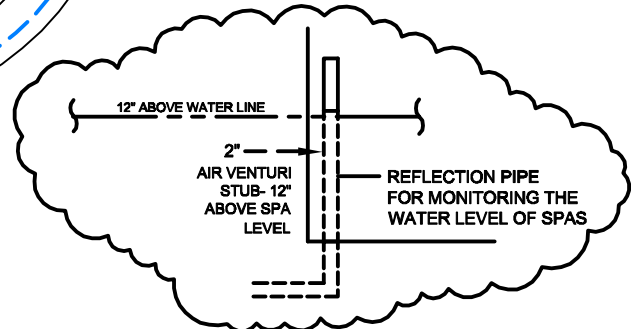
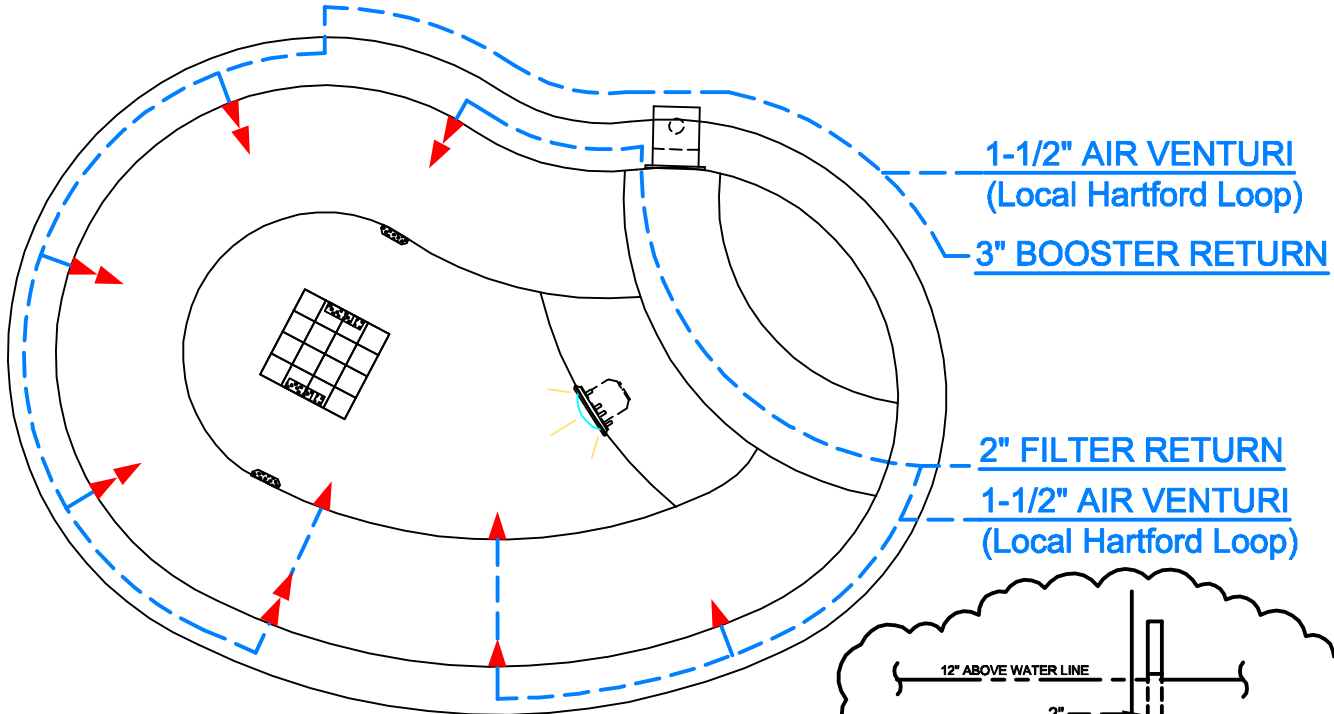
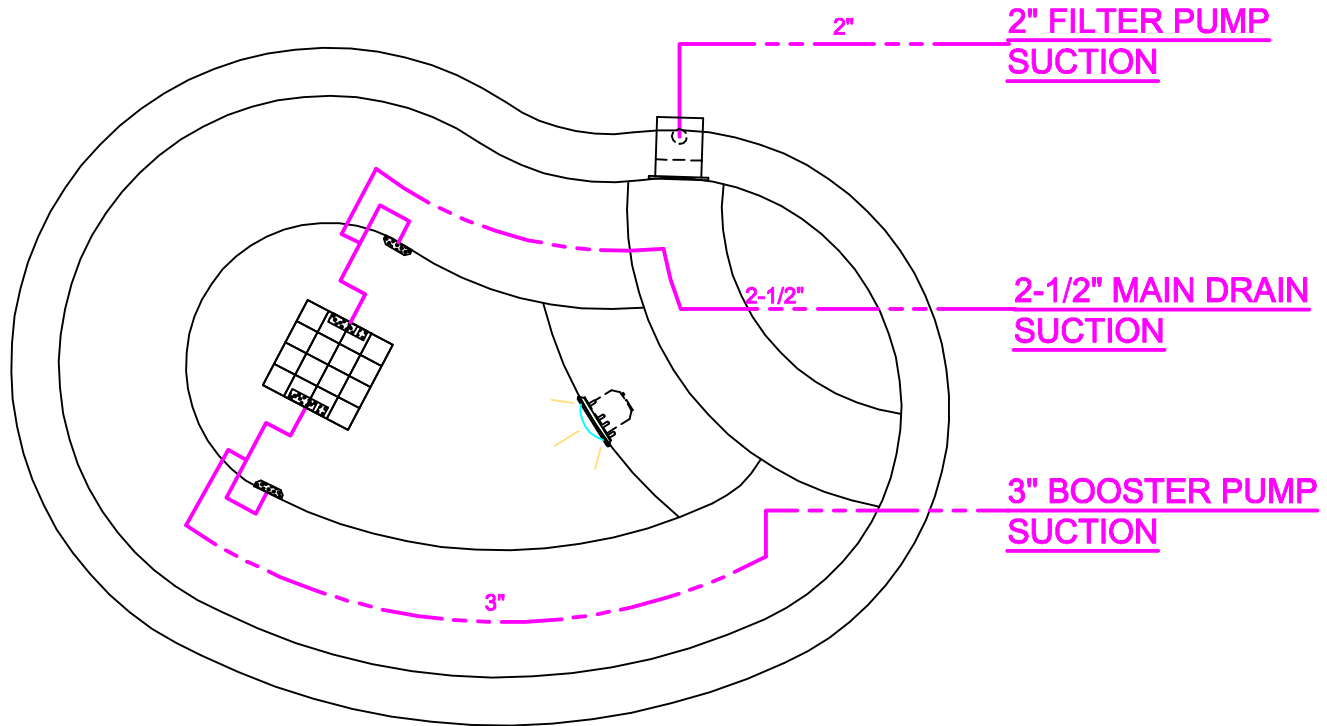
SCALE: 1/2" = 1'-0"

DATE: 6/27/2006

JOB: MESSENGER

DR#: PD-03

ALL DIMENSIONS SUBJECT TO 1/4" TOLERANCES



These drawings, concepts, and details contained herein are the original proprietary designs of NESPA ENTERPRISES, developed over many years of experience in the pool and spa industry and as such are protected by the copyright laws of the United States Government. Reproduction of any of the above without written permission to do so by NESPA ENTERPRISES, is illegal.



NESPA ENTERPRISES INC.

2800 Richter Ave. Suite C
Orville, CA 95966
Office: (530) 534-9910
Fax: (530) 534-9915
E-Mail: sales@tiledspas.com
Web Site: www.tiledspas.com

KIDNEY

Fabrication Detail

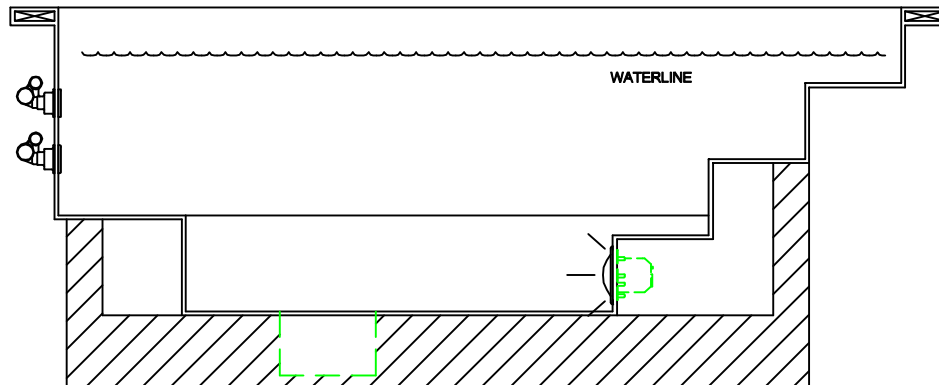
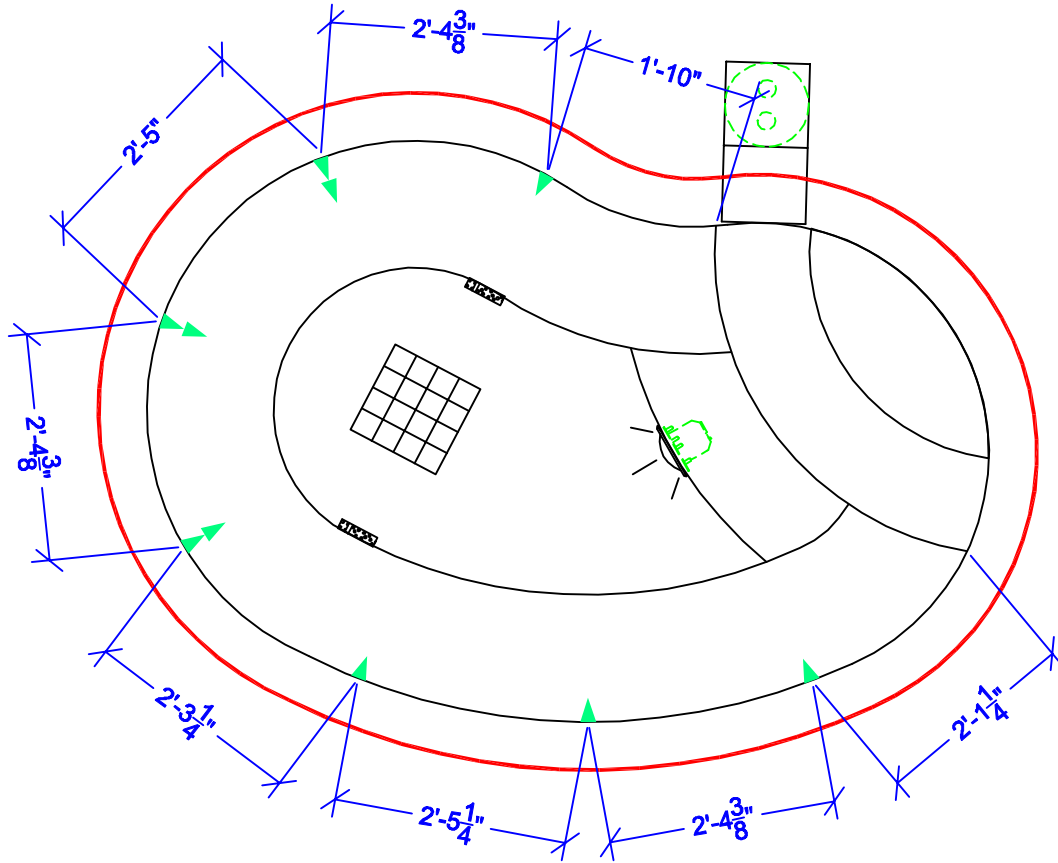
ALL DIMENSIONS SUBJECT TO 1/4" TOLERANCES

SCALE: 1/2" = 1'-0"

DATE: 4/7/2006

JOB: MESSENGER

DR#: FD-01



These drawings, concepts, and details contained herein are the original proprietary designs of NESPA ENTERPRISES, developed over many years of experience in the pool and spa industry and as such are protected by the copyright laws of the United States Government. Reproduction of any of the above without written permission to do so by NESPA ENTERPRISES, is illegal.



NESPA ENTERPRISES INC.

2800 Richter Ave. Suite C
Oroville, CA 95966
Office: (530) 534-9910
Fax: (530) 534-9915
E-Mail: sales@tiledspas.com
Web Site: www.tiledspas.com

KIDNEY

Fabrication Detail

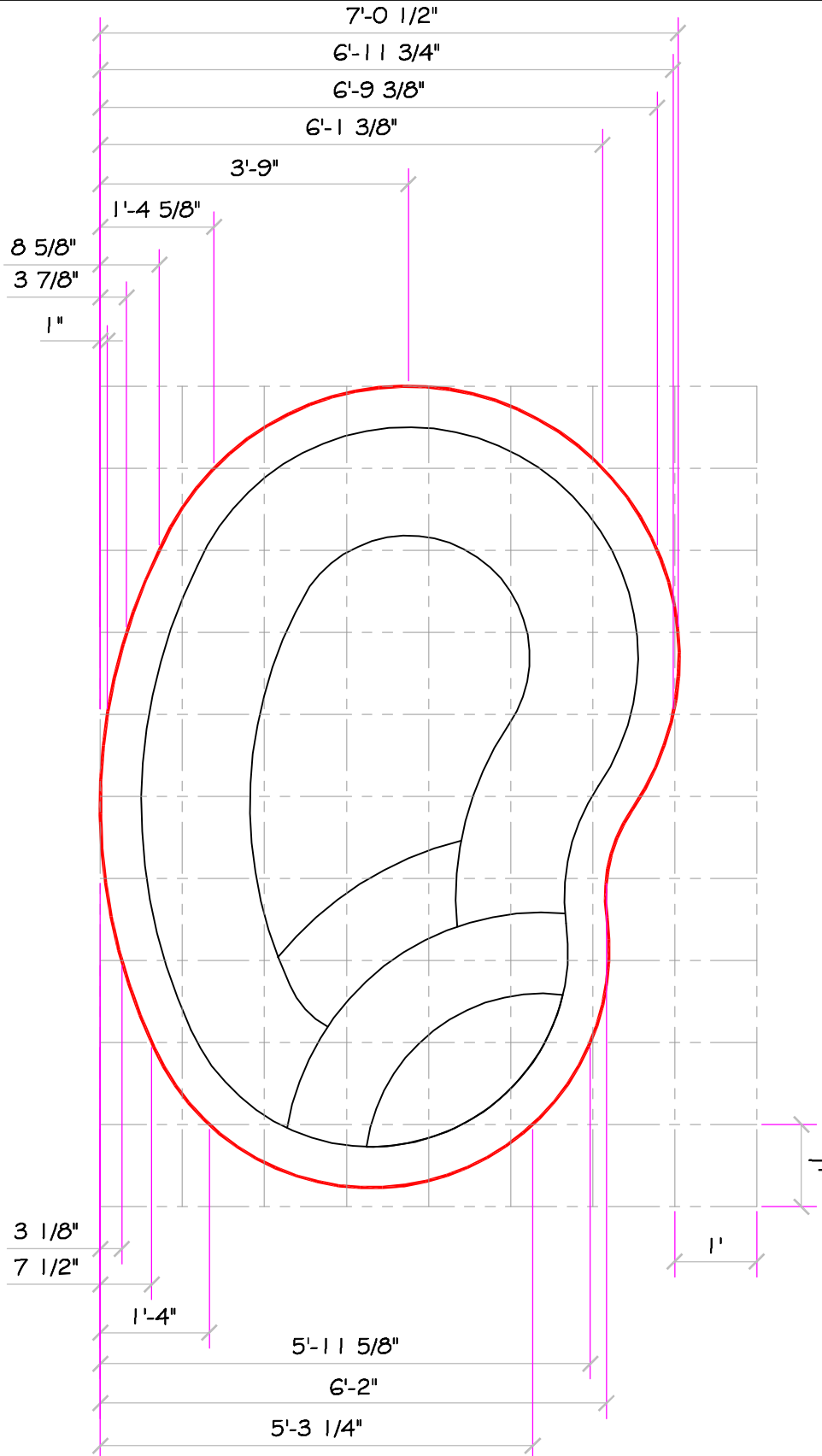
ALL DIMENSIONS SUBJECT TO 1/4" TOLERANCES

SCALE: 1/2" = 1'-0"

DATE: 4/7/2006

JOB: MESSENGER

DR#: FD-01



These drawings, concepts, and details contained herein are the original proprietary designs of NESPA ENTERPRISES, developed over many years of experience in the pool and spa industry and as such are protected by the copyright laws of the United States Government. Reproduction of any of the above without written permission to do so by NESPA ENTERPRISES, is illegal.



NESPA ENTERPRISES INC.

2800 Richter Ave. Suite C
Oroville, CA 95966
Office: (530) 534-9910
Fax: (530) 534-9915
E-Mail: sales@tiledspas.com
Web Site: www.tiledspas.com

KIDNEY

Render Detail

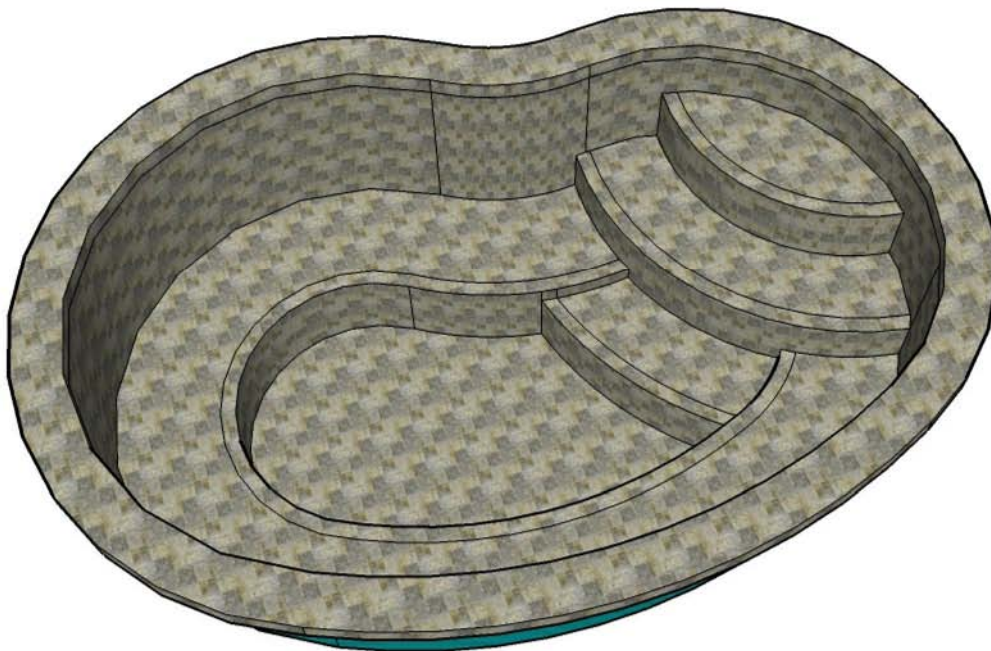
ALL DIMENSIONS SUBJECT TO 1/4" TOLERANCES

SCALE: 1/2" = 1'-0"

DATE: 4/7/2006

JOB: MESSENGER

DR#: FD-01



These drawings, concepts, and details contained herein are the original proprietary designs of NESPA ENTERPRISES, developed over many years of experience in the pool and spa industry and as such are protected by the copyright laws of the United States Government. Reproduction of any of the above without written permission to do so by NESPA ENTERPRISES, is illegal.



NESPA ENTERPRISES INC.

2800 Richter Ave. Suite C
 Oroville, CA 95966
 Office: (530) 534-9910
 Fax: (530) 534-9915
 E-Mail: sales@tiledspas.com
 Web Site: www.tiledspas.com

KIDNEY

ELECTRICAL Detail

ALL DIMENSIONS SUBJECT TO 1/4" TOLERANCES

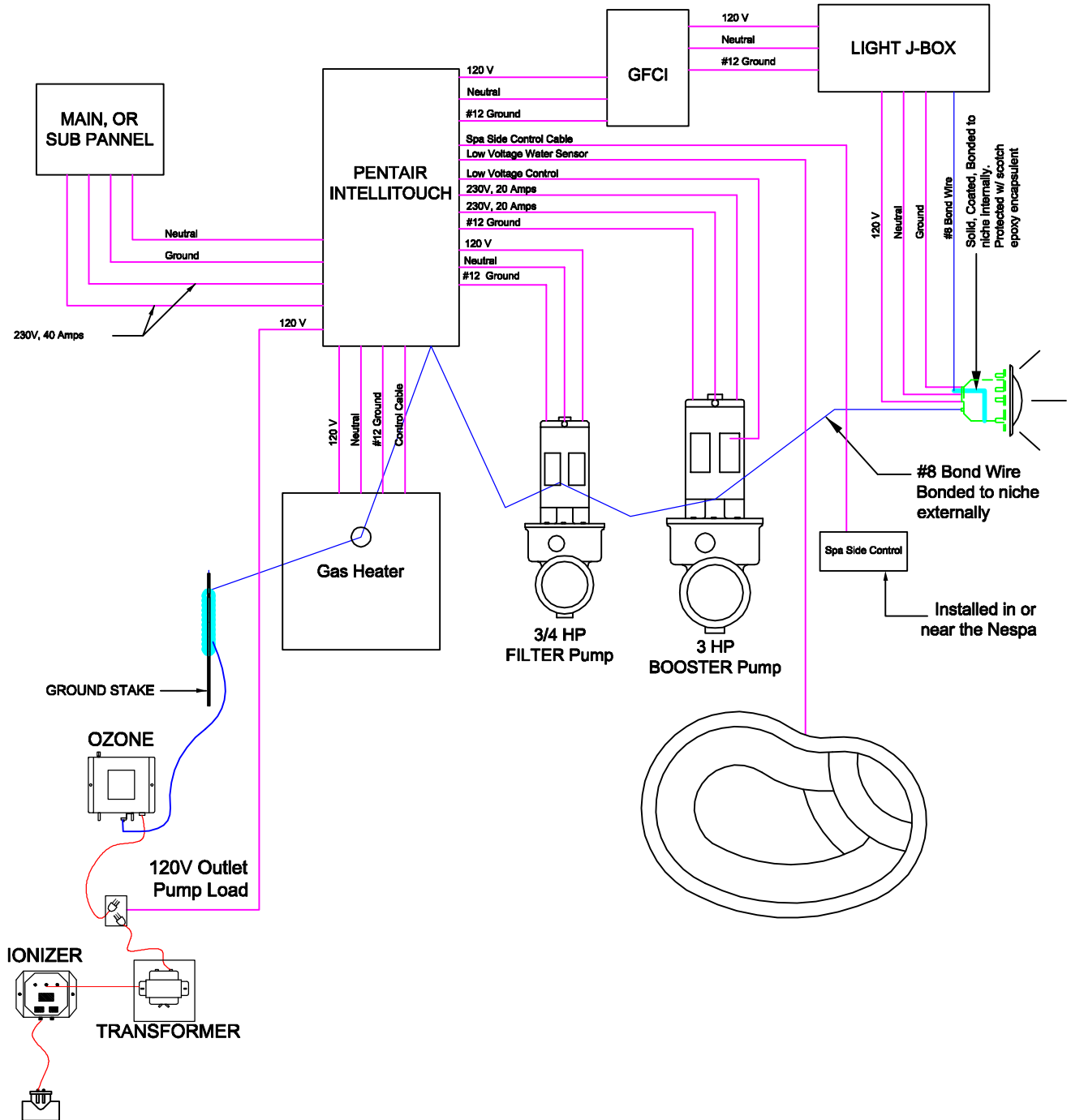
SCALE: 3/4" = 1'

DATE: 6/27/2006

JOB: MESSENGER

DR#: ELECTRICAL

NOTE:
 THIS SCHEMATIC IS FOR CONCEPTUAL PURPOSES ONLY.
 ALL WORK SHALL BE PERFORMED BY A LICENSED
 ELECTRICIAN AND COMPLY WITH THE NATIONAL
 ELECTRICAL CODE.





NESPA ENTERPRISES INC.

2800 Richter Ave. Suite C
Oroville, CA 95966
Office: (530) 534-9910
Fax: (530) 534-9915
E-Mail: sales@tiledspas.com
Web Site: www.tiledspas.com

KIDNEY

PLUMBING Detail

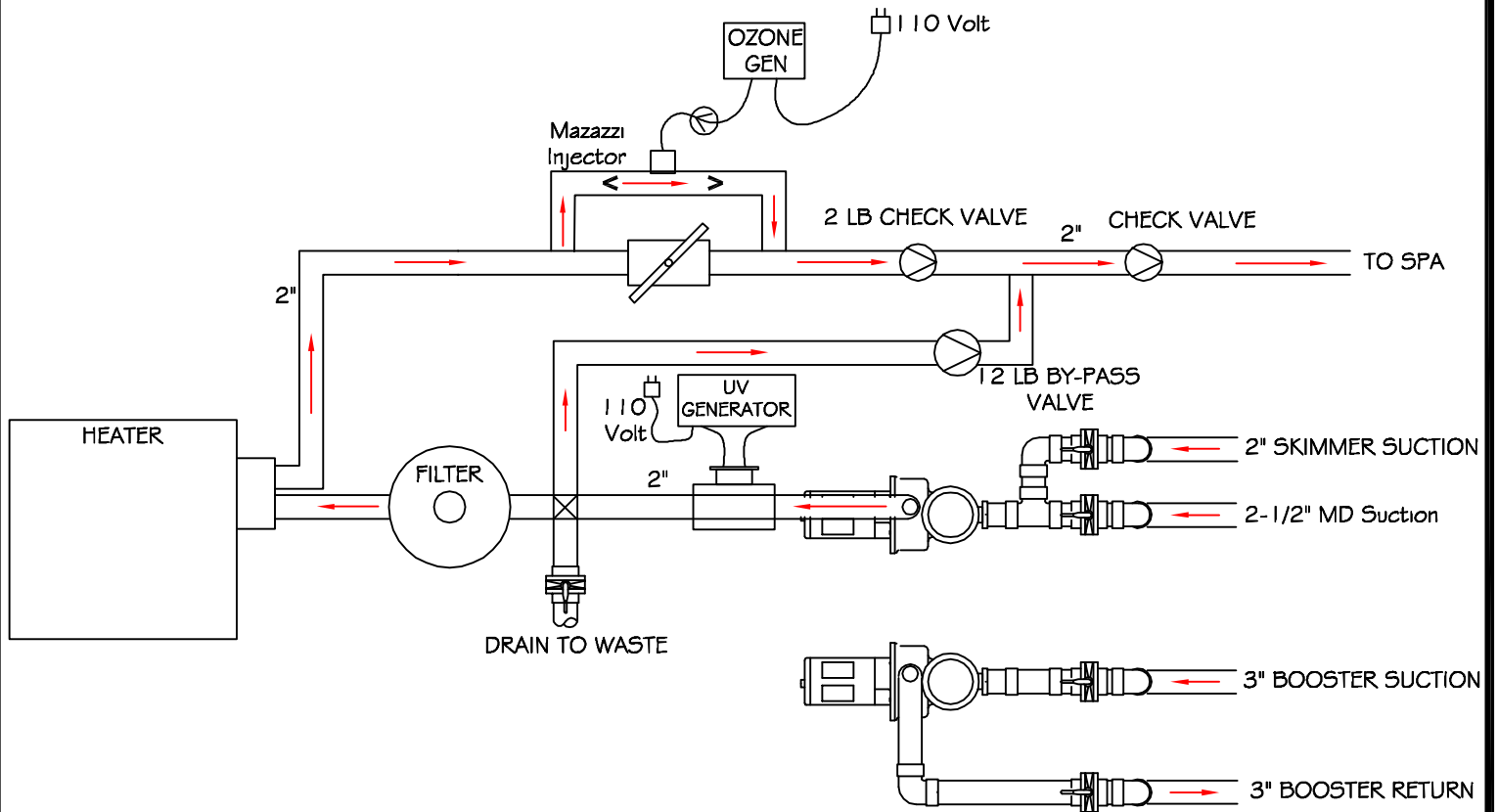
ALL DIMENSIONS SUBJECT TO 1/4" TOLERANCES

SCALE: 1/2" = 1'

DATE: 6/27/2006

JOB: MESSENGER

DR#: Plumbing





NESPA ENTERPRISES INC.

2800 Richter Ave. Suite C
Oroville, CA 95966
Office: (530) 534-9910
Fax: (530) 534-9915
E-Mail: sales@tiledspas.com
Web Site: www.tiledspas.com

KIDNEY COVER Detail

ALL DIMENSIONS SUBJECT TO 1/4" TOLERANCES

SCALE: 1/2" = 1'

DATE: 6/28/2006

JOB: MESSENGER

DR#: COVER

