



"Bringing The Best Together"

Underhill International Corp.

SysDyn Home_Technical Info List Price_Model K-1100 Model K-2000 Model K-2100 Model K-2300 Model LX2 Q
A

Electronic Water Level Management System

Levolor[®]

Electronic Water Leveler

LEVOLOR/LX2

INSTALLATION INSTRUCTIONS

Static Pipe Installation Only

THEORY OF OPERATION

A user friendly electronic water level controller for new and existing swimming pools or fountains.

A feature of the Levolor acts to prevent wave action from overflowing the pool and prevents water hammer conditions on the solenoid valve.

IMPORTANT SAFETY INSTRUCTIONS

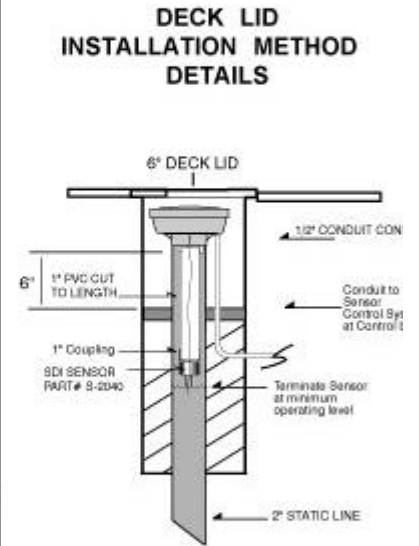
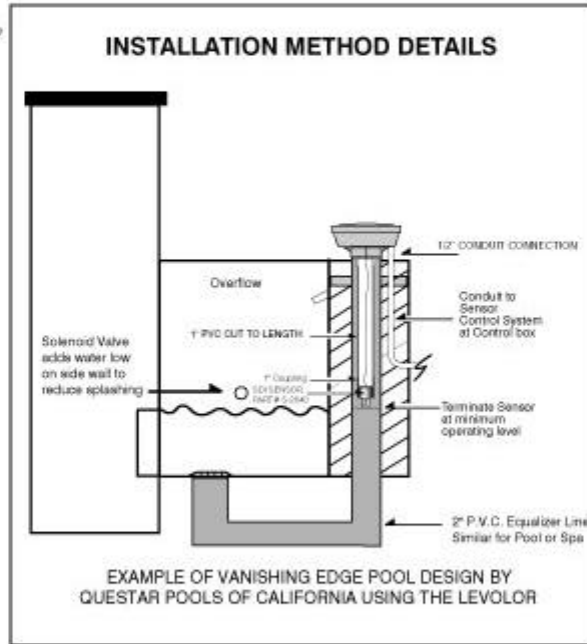
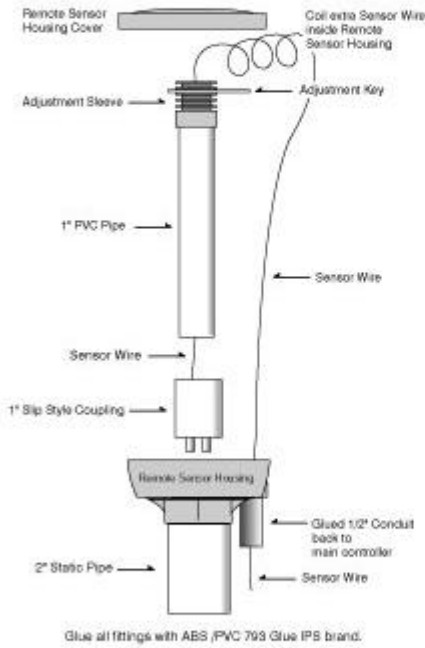
1. READ AND FOLLOW ALL INSTRUCTIONS.
2. **WARNING:** To reduce the risk of injury, do not permit children to use this product unless they are closely supervised at all times.
3. **SAVE THESE INSTRUCTIONS FOR THE CONSUMER.**
4. Sensor wires must be continuous and not spliced.
Call factory with any questions: 1-800- 844-8514
5. Solder all low voltage wire connections when possible and always use grease-filled wire nuts on low voltage connections.
6. Use proper ABS/PVC glue, 793 IPS brand for ABS/PVC.
7. Do not use PVC primer.



M I L L E N I U M

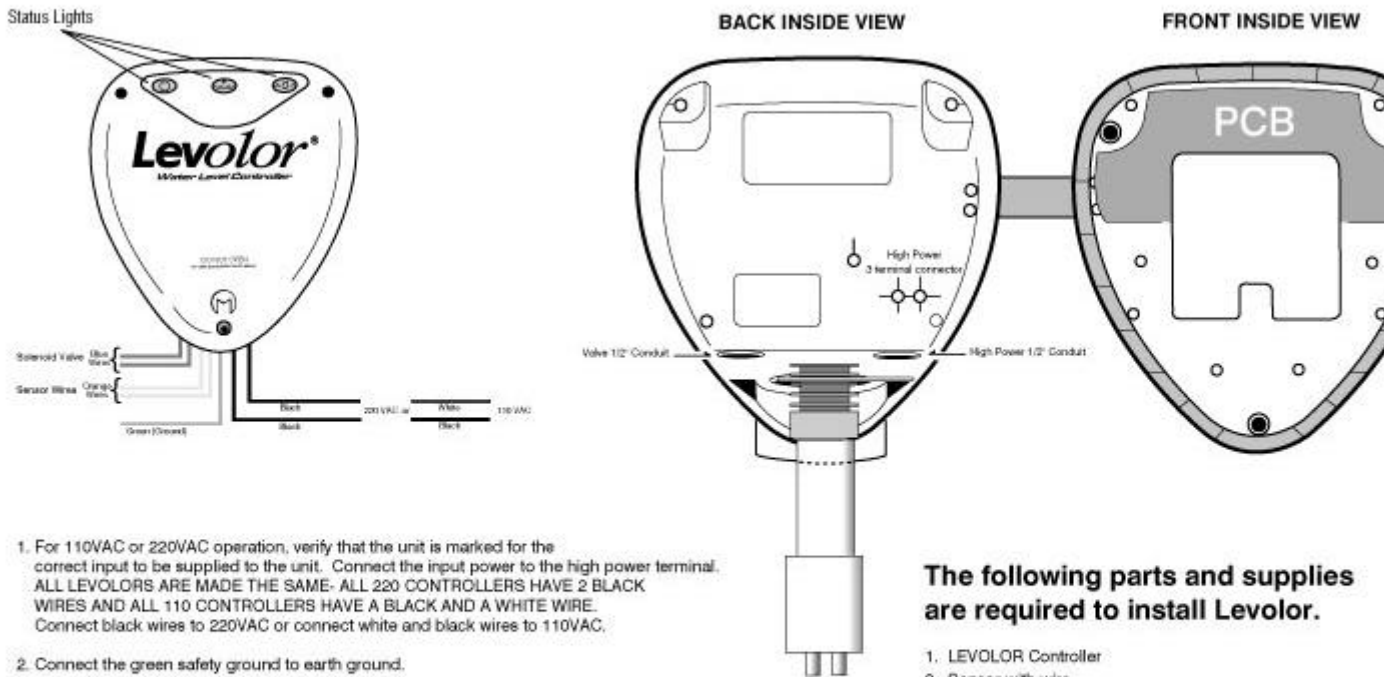
Electronic Water Level Management System

HOW TO USE THE REMOTE SENSOR HOUSING ASSEMBLY



M I L L E N I U M

Electronic Water Level Management System



1. For 110VAC or 220VAC operation, verify that the unit is marked for the correct input to be supplied to the unit. Connect the input power to the high power terminal. ALL LEVOLORS ARE MADE THE SAME- ALL 220 CONTROLLERS HAVE 2 BLACK WIRES AND ALL 110 CONTROLLERS HAVE A BLACK AND A WHITE WIRE. Connect black wires to 220VAC or connect white and black wires to 110VAC.
2. Connect the green safety ground to earth ground.
3. Connect the 24VAC water solenoid valve to the blue wires using grease filled wire nuts. For valve connection - excess sensor wire should be used.
4. Install the sensor in the appropriate location. Connect the two orange sensor wires to the sensor wire using wire nuts. The wire to the sensors must be continuous.

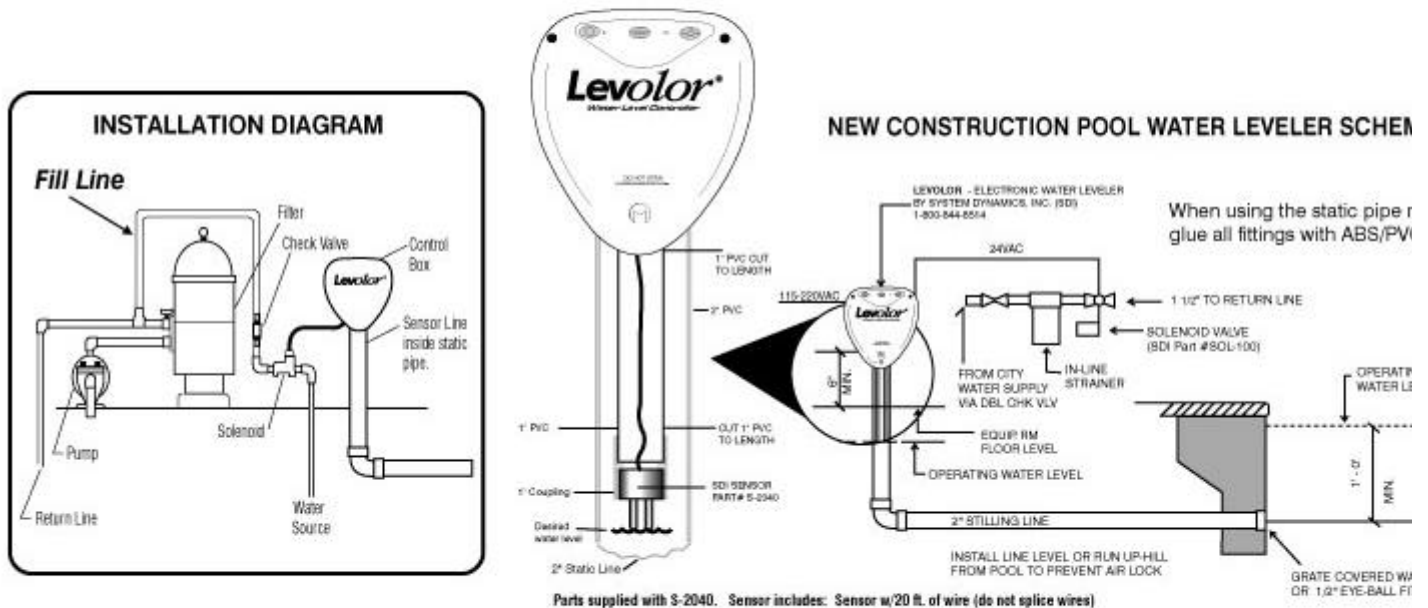
The following parts and supplies are required to install Levolor.

1. LEVOLOR Controller
2. Sensor with wire.
3. 24 VAC 0.4 Amps 50-60 Hz anti-siphon valve.
If the connection happens to be made from the irrigation system then AV anti-siphon valve is not necessary.
4. Levolor mounts by gluing it to a 2" static pipe.
5. Grease filled wire nuts.

M I L L E N I U M

Electronic Water Level Management System

System Dynamics provides the controller, the valve, and the sensor with 20 feet of wire. The controller is wired either 220 or 110 and input voltage requirement should be verified by reading placards. The solenoid valve is included, it is made by Buckner and is a VP-10. The sensor wire must be continuous and is available in 25 ft. increments up to 200 ft. The pressure rating for this valve cannot exceed 75 PSI. We recommend 18 gauge wire direct burial style for the valve connection, which is the same type of wire supplied with the sensor. Always use excess sensor wire for the valve connection.



M I L L E N I U M

Send mail to webmaster lrross@uicorp.net with questions or comments about this web site.
Copyright © 2000 Underhill International Corporation
Last modified: April 26, 2002