



NESPA
TILED SPAS

Production Booklet

for

LA MESA SPA

2800 Richter Ave. Suite C, Oroville, CA 95965 • **voice:** (530)534-9910
fax: (530)534-9915 • **email:** sales@tiledspas.com • **website:** www.tiledspas.com



RECOMMENDED MAINTENANCE

Please Note:

These are only recommended guidelines to care for a Nespa all tiled spa. Local codes may require additional procedures, therefore consult with a pool professional that is LA county Health Department certified for more information on local codes and requirements.

SPA SURFACE

Your spa tile is acid resistant and frost-proof. The Tile does not absorb germs or algae. Tile does not stain and is very easy to clean. Color does not fade or lose its luster. All grouts are epoxy based and are extremely durable. To remove scum line use soft nylon brush and small amounts of biodegradable soaps. Do not use abrasive brushes or chemicals.

MAINTENANCE

A. CHEMICALS:

- 1) It is important to maintain a chlorine residual of 2 PPM in the spa. That residual can be provided by chlorine or bromine.
- 2) It is recommended to use Bromine or dichlor (granular) forms of chlorine. If bromine Tabs are used we suggest floating or inline dispenser.
- 3) Never use acid to lower Ph in the tile spa.
- 4) Never use trichlor chlorine (1" or 3") tablets in the Nespa spas.
- 5) Never place tablets in skimmer basket.

B. DRAINING THE SPA:

- 1) It is recommended to drain the spa at least once every 2 months depending on bath load and water clarity.
- 2) The spa should be drained through valve exiting re-circulation pump in the spa equipment room or sump pump.
- 3) Note: Use caution to drain spa in the winter months or rainy season when water table is at its highest. It is possible for the spa to float due to hydraulic pressure from surrounding water table. We advise that you consult with your local spa specialist prior to draining the spa.

C. SPA EQUIPMENT:

- 1) Clean filter cartridge at least once every month, or when needed; i.e., if water clarity does not improve after several days.
- 2) Keep area free and clear from leaves and debris build-up.
- 3) Keep area free and clear from flooding.

D. SPA LIGHT:

- 1) Spa light has to be on GFCI circuit. It is controlled at spa side with ON/OFF.

E. TILE SERVICING:

- 1) Contact manufacture when servicing tile or grout. @ (530) 534-9910

PLAN APPROVAL DOCUMENTATION

DRAWING REVISION HISTORY

SHEET 1 - SD (Spa Detail)

REV NOTE:

SHEET 2 - Tile Detail

REV NOTE:

SHEET 3 - Plumbing Detail

REV NOTE:

SHEET 4 - White Goods

REV NOTE:

I approve the above drawings _____ Date: _____

Any changes to these plans from here forward shall be directed in writing to Nespa.

SPA FABRICATION AUTHORIZATION

Nespa's engineering and structural manufacturing departments may find it necessary to make slight adjustments (= 1") to your spa.

This may include the size of the spa (OD/ID), tile cuts, depths, jet location, bench steps etc. These adjustments must be made in the primary stages of building the spa. The adjustments are generally made to ad structural and aesthetic integrity to the vessel. IE: balance of supporting gussets (exterior) and less tile cuts/ symmetrical cuts, grout lines, etc. (interior)

Please initial next to the following number that describes your project needs.

_____ 1. YES, I understand adjustments need to be made. Nespa will use their expertise to make these adjustments as needed. I give them the authority to make changes. I will receive final accurate drawings prior to receipt of spa or spa hole construction (if changes were made to the size)

_____ 2. NO, No changes can be made even under 1". Dimensions are fixed. More tile cuts may be needed, Structural supports may be altered to accommodate.

_____ 3. Nespa will need to contact us for any changes to spa dimensions prior to continued spa fabrication.

NESPA ENTERPRISES INC.

2800 Richter Ave. Suite C Oroville, CA 95966

Office: (530) 534-9910

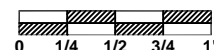
Fax: (530) 534-9915

E-Mail: sales@tiledspas.com Web Site: www.tiledspas.com



If printing as a PDF:

Page Scaling:



DWG TYPE

Revisions

DWG NAME

LA MESA VILLAGE

DATE

8/12/2009

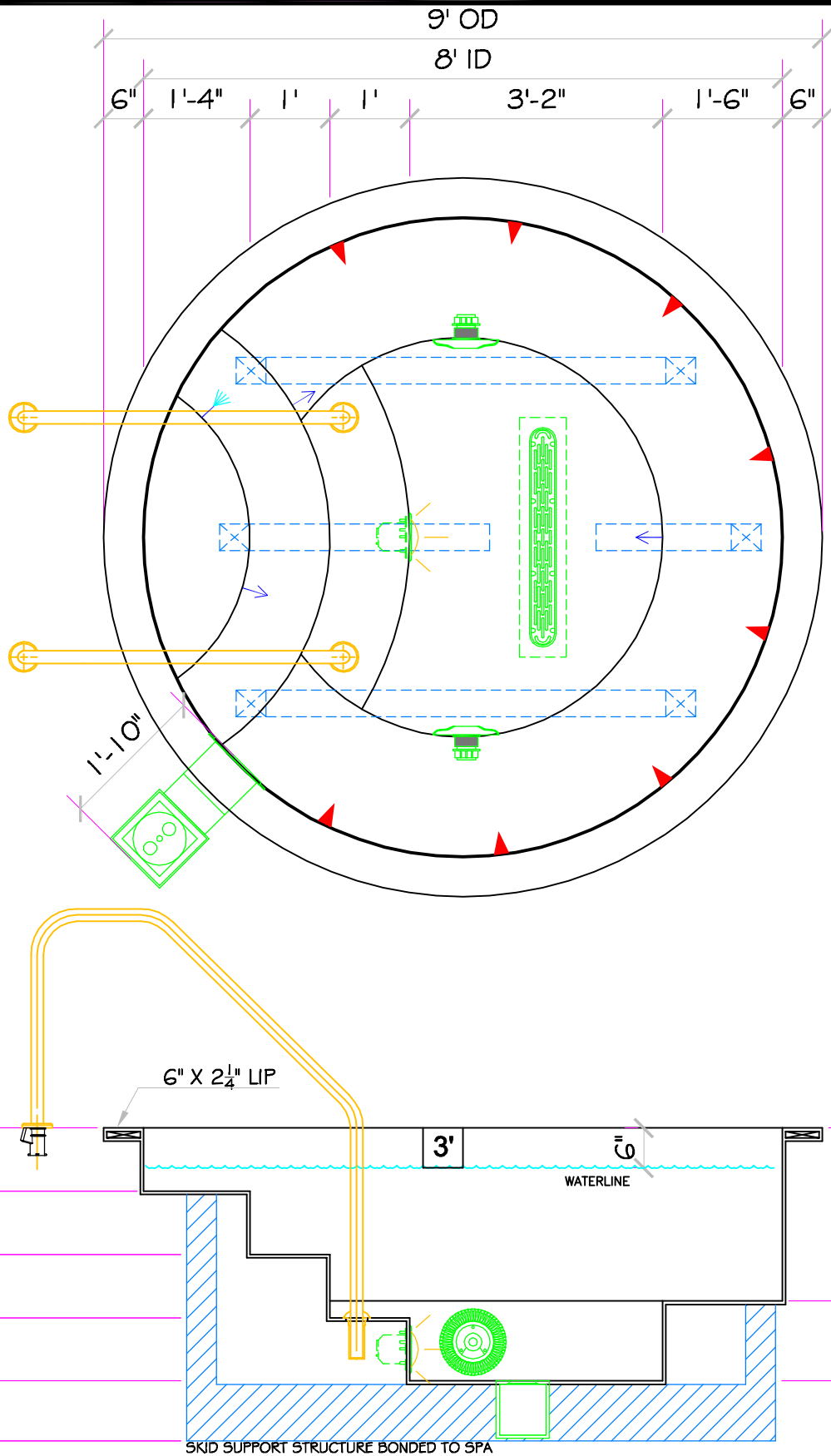
SHEET

Cover Sheet

These drawings, concepts, and details contained herein are the original proprietary designs of NESPA ENTERPRISES, developed over many years of experience in the industry and as such are protected by the copyright laws of the United States Government. Reproduction of any of the above without written permission to do so by NESPA ENTERPRISES, is illegal.

SPECIFICATIONS	
DRY WEIGHT:	2300 LBS.
TOTAL WEIGHT:	9534 LBS.
WATER:	868 GAL.
VOLUME:	116 Cu.Ft.
WEIGHT:	7234 LBS.
SURFACE AREA:	50.3 SQ. FT.
IAPMO#:	1138
FDA#:	2030305

SKID SUPPORT STRUCTURE* BONDED TO SPA	
	*SKIDS SUPPLIED BY NESPA
LIGHT NICHE	
	SPA BRIGHT, 120 V, 100 WATT, 50' CORD, U.L. APPROVED
MAIN DRAIN	
	AquaStar 32CDFLFR, 32" Channel Drain, Approved Max Flow Rate: Floor = 236 GPM @ 3.4 fps Wall = 136 GPM @ 1.9 fps V.G.B Approved Safety Drain
SIDEWALL SUCTION	
	Paramount SDX 10" HIGH FLOW SAFETY DRAIN Area of Opening = 43.201 in/sq Velocity @ 200 GPM = 1.485 fps V.G.B Approved Safety Drain
SKIMMER	
	HAYWARD SP-1084FVE SURFACE SKIMMER W/ EQUALIZER, NSF APPROVED
JET	
	HYDRO INLETS 1-1/2" WATER - 1-1/2" AIR HYDROAIR #10-5100 COMPLIES W/ ANSI CODE ASME A112.19.8-07 UL APPROVED
RETURN	
	INLET FITTINGS 1-1/2" WALL TYPE W/ EYEBALL HYDROAIR #10-3500 COMPLIES W/ ANSI CODE ASME A112.19.8-07 UL APPROVED
FILL	
	INLET FITTINGS 1-1/2" WALL TYPE W/ EYEBALL HYDROAIR #10-3500 COMPLIES W/ ANSI CODE ASME A112.19.8-07 UL APPROVED



ALL DIMENSIONS SUBJECT TO 1/4" TOLERANCES

Dec 03, 2009 - 1:30pm

NESPA ENTERPRISES INC.
2800 Richter Ave. Suite C Oroville, CA 95966
Office: (530) 534-9910 Fax: (530) 534-9915
E-Mail: sales@tiledspas.com Web Site: www.tiledspas.com



If printing as a PDF:
Page Scaling: None
DWG NAME: LA MESA VILLAGE

SCALE: 1/2" = 1'
DATE: 8/12/2009

DWG TYPE: SD
SHEET: PAGE 1 OF 4

These drawings, concepts, and details contained herein are the original proprietary designs of NESPA ENTERPRISES, developed over many years of experience in the industry and as such are protected by the copyright laws of the United States Government. Reproduction of any of the above without written permission to do so by NESPA ENTERPRISES, is illegal.

- #1 - FIELD TILE: DalTile - 2 x 2 - DK317 - White
- #2 - WATERLINE (optional): DalTile - 6 x 6 - D159 - Ocean Blue
- #3 - BENCH & STEP EDGES (optional): DalTile - 2 x 2 - D159 - Ocean Blue
- #4 - TILED LIP (optional): DalTile - C701 - DK317 - White
- #5 - COVE TILE (optional): DalTile - C833 - DK317 - White

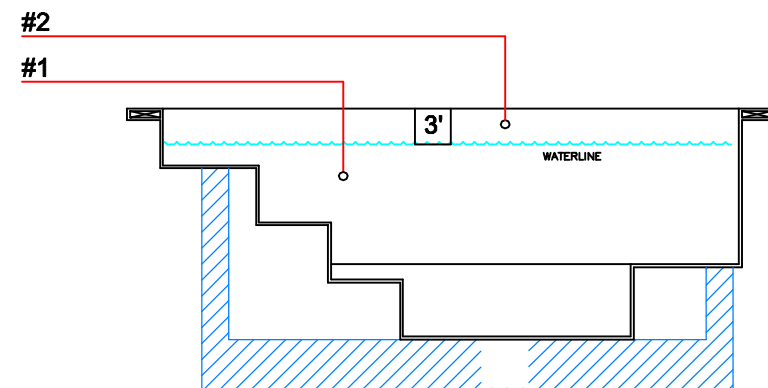
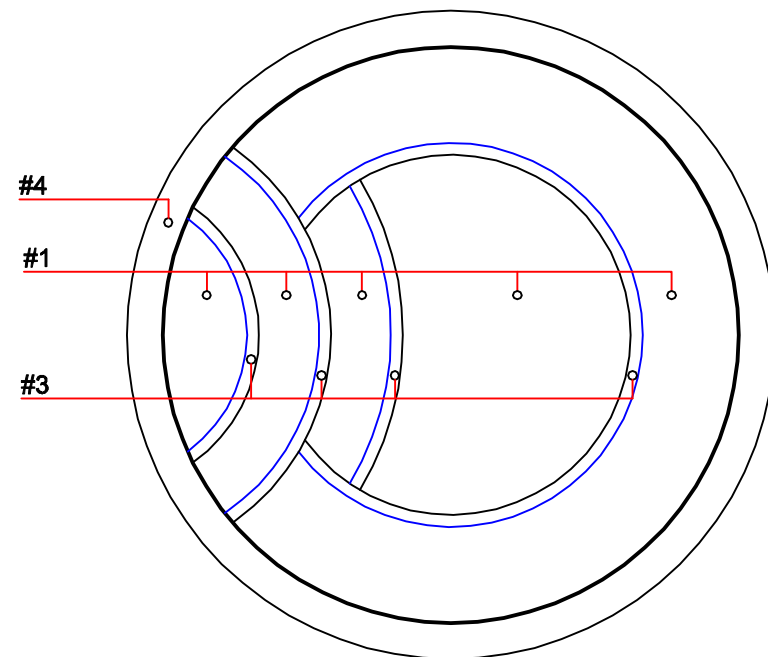
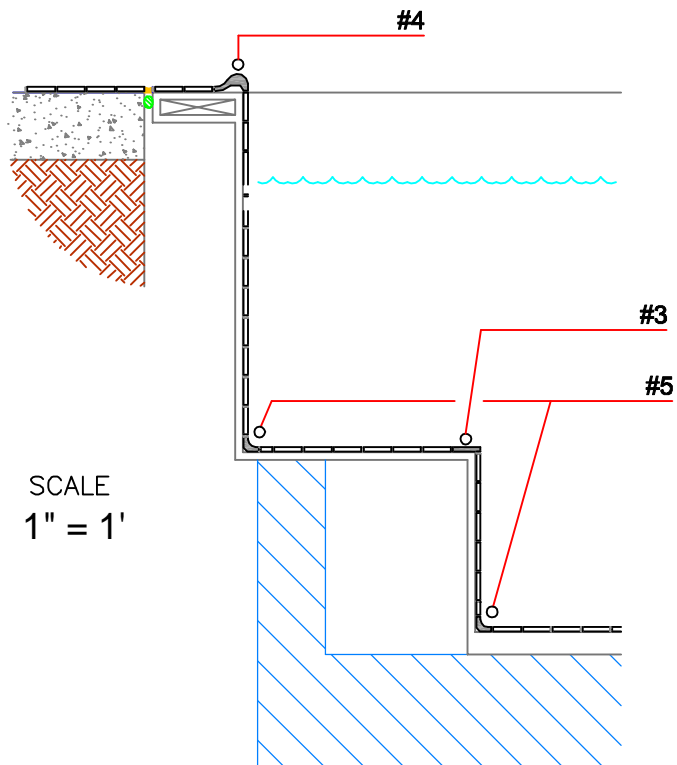
Date: _____

Approval: _____

#1 - GROUT: _____

#2 - GROUT: _____

#3 - GROUT: _____



ALL DIMENSIONS SUBJECT TO 1/4" TOLERANCES

Dec 03, 2009 - 1:30pm

These drawings, concepts, and details contained herein are the original proprietary designs of NESPA ENTERPRISES, developed over many years of experience in the industry and as such are protected by the copyright laws of the United States Government. Reproduction of any of the above without written permission to do so by NESPA ENTERPRISES, is illegal.

NESPA ENTERPRISES INC.
 2800 Richter Ave. Ste. C Oroville, CA 95966
 Office: (530) 534-9910 Fax: (530) 534-9915
 E-Mail: sales@tiledspas.com Web Site: www.tiledspas.com



If printing as a PDF:

Page Scaling: None

SCALE
3/8" = 1'



DWG TYPE

Tile

DWG NAME

LA MESA VILLAGE

DATE

8/12/2009

SHEET

PAGE 2 OF 4

1" Water Fill

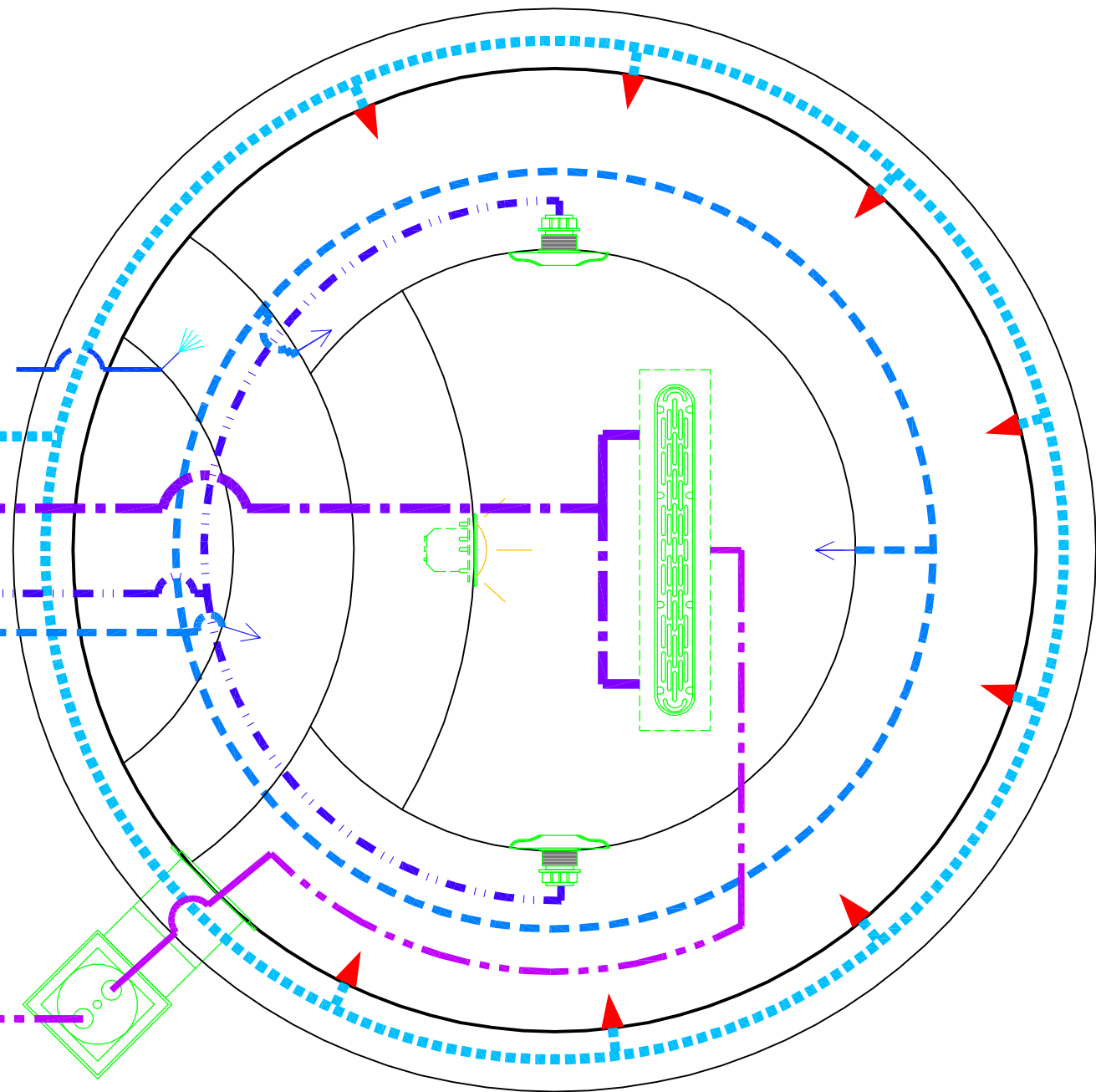
3" Booster Return

2" Circulation Suction

3" Booster Suction

2" Circulation Return

2" Skimmer Suction



ALL DIMENSIONS SUBJECT TO 1/4" TOLERANCES

Dec 03, 2009 - 1:30pm

These drawings, concepts, and details contained herein are the original proprietary designs of NESPA ENTERPRISES, developed over many years of experience in the industry and as such are protected by the copyright laws of the United States Government. Reproduction of any of the above without written permission to do so by NESPA ENTERPRISES, is illegal.

NESPA ENTERPRISES INC.

2800 Richter Ave. Ste. C Oroville, CA 95966

Office: (530) 534-9910

Fax: (530) 534-9915

E-Mail: sales@tiledspas.com

Web Site: www.tiledspas.com

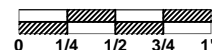


If printing as a PDF:

Page Scaling: None

SCALE

3/4" = 1'



DWG TYPE

Plumbing

DWG NAME

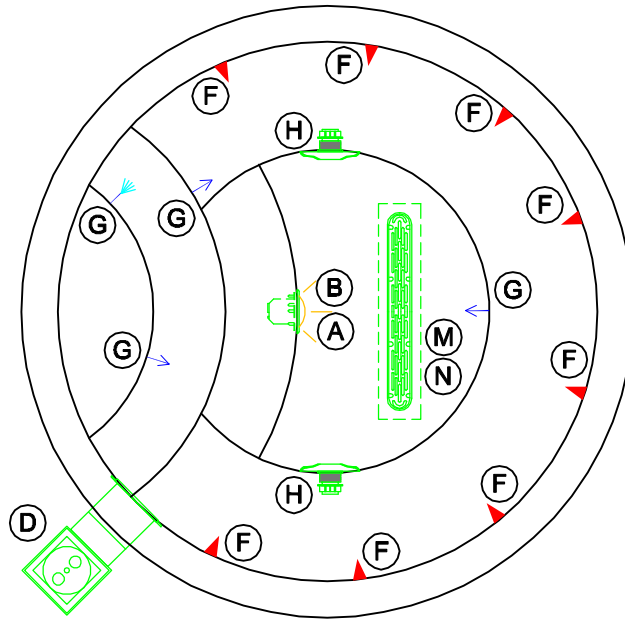
LA MESA VILLAGE

DATE

8/12/2009

SHEET

PAGE 3 OF 4



ITEM	DESCRIPTION	MANUFACTURER	CATALOG NO.	QTY.
A	LIGHT NICHE (FOR UNDERWATER LIGHT) W/ 1" HUB	PENTAIR/PACFAB	782423	1
B	SPA BRIGHT UNDERWATER LIGHT, 120 VOLT, 100 WATT, 50' CORD, U.L. APPROVED	PENTAIR/PACFAB	78108100	1
D	SURFACE SKIMMER W/ EQUALIZER, NSF APPROVED	HAYWARD	SP-1084 FVE	1
F	HYDRO INLETS, 1 1/2" WATER, 1 1/2" AIR	HYDROAIR	10-5100	8
G	INLET FITTINGS, 1 1/2", WALL TYPE, W/ EYEBALL	HYDROAIR	10-3500	4
H	<i>Paramount</i> SDX 10" HIGH FLOW SAFETY DRAIN Area of Opening = 43.201 in/sq Velocity @ 200 GPM = 1.485 fps V.G.B Approved Safety Drain	PARAMOUNT	SDX	2
M	<i>AquaStar</i> 32CDFLFR, 32" Channel Drain, Approved Max Flow Rate: Floor = 236 GPM @ 3.4 fps Wall = 136 GPM @ 1.9 fps V.G.B Approved Safety Drain	AQUASTAR	32CDFLFR	1
N	<i>Nespa</i> MAIN DRAIN SUMP	NESPA	NESPA.32CD. 2.5,2.5,2.5	1

ALL DIMENSIONS SUBJECT TO 1/4" TOLERANCES

Dec 03, 2009 - 1:30pm

These drawings, concepts, and details contained herein are the original proprietary designs of NESPA ENTERPRISES, developed over many years of experience in the industry and as such are protected by the copyright laws of the United States Government. Reproduction of any of the above without written permission to do so by NESPA ENTERPRISES, is illegal.

NESPA ENTERPRISES INC.

2800 Richter Ave. Ste. C Oroville, CA 95966

Office: (530) 534-9910

Fax: (530) 534-9915

E-Mail: sales@tiledspas.com Web Site: www.tiledspas.com



If printing as a PDF:

Page Scaling:

SCALE

3/8" = 1'



DWG TYPE

White Goods

DWG NAME

LA MESA VILLAGE

DATE

8/12/2009

SHEET

PAGE 4 OF 4

A B

AquaLight™ and SpaBrite™
Compact Pool and Spa Lights

High intensity compact lights from the world leader in pool and spa lighting.

AquaLight and SpaBrite lights are compact units especially designed to provide top lighting performance for smaller pools and spas. Whether you choose the floating party lights or the combination SpaBrite pool and spa lights, you will shine brilliantly when the sun goes down. Both lights feature high quality quartz lamp housings and flame rings for durability. Tempered glass lenses provide optimum light diffusion. Each light comes complete with red and blue snap-on lens covers.

Standard features include:

- Precast compound glass lens for optimum light efficiency.
- Clear lens, magnetic green, purple, and blue green shade setting snap-on lenses.
- Shock-resistant cord of choice for low voltage protection.
- Available in multiple voltages (120 and 240 volts) to meet local electrical codes.
- Corrosion resistant stainless steel housing and lens ring in multiple finishes.
- Plastic snap-on lens rings available to coordinate with your pool finish.
- Easy service standard clear cover for quick and easy lens replacement.
- Three year warranty. See warranty for details.

D

HAYWARD MODEL SP1084 AUTO-SKIM AUTOMATIC SURFACE SKIMMER
INSTALLATION AND OPERATING INSTRUCTIONS

The Auto-Skim is a rugged, versatile automatic skimmer for residential or commercial installations. The illustrations below show the standard SP1084, the SP1084V Vacuum Skimmer, the SP1084V Plus skimmer, the SP1084V Plus skimmer with equalizer valve, and the SP1084V Plus skimmer with equalizer valve and float valve assembly. Consult these pages for specific installation details and dimensions.

1. BASIC UNIT

A. FLOW ADJUSTMENT-For full flow, move the Control Slide Plate to full open. To adjust flow, move Slide Plate to desired position over pump outlet.

B. TO VACUUM-Remove cover and insert float valve assembly. Insert equalizer valve into water and insert cover. Tighten adapter. Use optional Slide Valve over basket vacuum pump.

2. SKIMMER WITH MAIN DRAIN CONNECTION

A. FULL MAIN DRAIN Valve Lever in straight-up position. Close Slide Plate.

B. FULL MAIN DRAIN (EJECT)-Place Valve Lever Down. Close Slide Plate.

3. SP1084V- SKIMMER WITH EQUALIZER VALVE AND FLOAT VALVE ASSEMBLY

A. FULL MAIN DRAIN-Adjust SP1084V Equalizer Valve Assembly inside over float valve. Tighten nut in center hole with SP1084V Float Valve Assembly. If water level above basket opening, insert float valve assembly. If water level below basket opening, the float valve will automatically equalize and the equalizer valve will open. This directs the flow to the pump from the equalizer line and prevents debris in the pump. When the pump is shut off, the water level condition is maintained. The float valve will allow the equalizer valve to drain, allowing the skimmer to operate when the pump is restarted.

B. TO VACUUM-Remove cover and insert float valve assembly. Insert equalizer valve into water and insert cover. Tighten nut in center hole with SP1084V Float Valve Assembly. If water level above basket opening, insert float valve assembly. If water level below basket opening, the float valve will automatically equalize and the equalizer valve will open. This directs the flow to the pump from the equalizer line and prevents debris in the pump. When the pump is shut off, the water level condition is maintained. The float valve will allow the equalizer valve to drain, allowing the skimmer to operate when the pump is restarted.

NOTE: When two or more skimmers are purchased into a common section, the flow is balanced through the skimmers by adjusting the Control Slide Plate of each unit.

D

SP1084 AUTO-SKIM DIMENSIONS

INSTALLATION INSTRUCTIONS

EQUALIZER VALVE ASSEMBLY SP1084

1. Remove skimmer plug and install equalizer valve into water. Tighten nut in center hole with SP1084V Float Valve Assembly. If water level above basket opening, insert float valve assembly. If water level below basket opening, the float valve will automatically equalize and the equalizer valve will open. This directs the flow to the pump from the equalizer line and prevents debris in the pump. When the pump is shut off, the water level condition is maintained. The float valve will allow the equalizer valve to drain, allowing the skimmer to operate when the pump is restarted.

SKIMMER DRAIN FLIGHT SP1084

1. Remove skimmer plug and install drain flight into water. Tighten nut in center hole with SP1084V Drain Flight Assembly. If water level above basket opening, insert drain flight assembly. If water level below basket opening, the drain flight will automatically equalize and the drain flight will open. This directs the flow to the pump from the drain flight and prevents debris in the pump. When the pump is shut off, the water level condition is maintained. The drain flight will allow the drain flight to drain, allowing the skimmer to operate when the pump is restarted.

D

INSTALLATION INSTRUCTIONS

INSTRUCTIONS FOR OTHER THAN WOOD PANEL WITH VINYL LINER

1. Cut and cut out end panel section per dimensions.
2. Place equalizer valve assembly into water. Tighten nut in center hole with SP1084V Float Valve Assembly. If water level above basket opening, insert float valve assembly. If water level below basket opening, the float valve will automatically equalize and the equalizer valve will open. This directs the flow to the pump from the equalizer line and prevents debris in the pump. When the pump is shut off, the water level condition is maintained. The float valve will allow the equalizer valve to drain, allowing the skimmer to operate when the pump is restarted.
3. Place equalizer valve assembly into water. Tighten nut in center hole with SP1084V Float Valve Assembly. If water level above basket opening, insert float valve assembly. If water level below basket opening, the float valve will automatically equalize and the equalizer valve will open. This directs the flow to the pump from the equalizer line and prevents debris in the pump. When the pump is shut off, the water level condition is maintained. The float valve will allow the equalizer valve to drain, allowing the skimmer to operate when the pump is restarted.
4. Place equalizer valve assembly into water. Tighten nut in center hole with SP1084V Float Valve Assembly. If water level above basket opening, insert float valve assembly. If water level below basket opening, the float valve will automatically equalize and the equalizer valve will open. This directs the flow to the pump from the equalizer line and prevents debris in the pump. When the pump is shut off, the water level condition is maintained. The float valve will allow the equalizer valve to drain, allowing the skimmer to operate when the pump is restarted.
5. If other than vinyl, cut out the skimmer hole edge of base panel.

LOCATION OF SKIMMERS

To obtain the most effective skimming action over the entire pool surface, locate the skimmer relative to the prevailing wind and soil, shape of pool and water circulation pattern. The use of directional exit fittings will ensure the proper circulation pattern.

F

IT Industries POOL/SPA Products HydroAir

Hydro Jet™ Series Jet Assemblies

150-3000 Regulatorless CleanJet System

SPECIFICATIONS:
Output: 1.5 GPM @ 1.5" NPT
Flow Size: 1/2" x 1/2" NPT
Options: 1/2" x 1/2" NPT

Hydro Jet™ Stacked Jet Assemblies

10-3100 (1/2" x 1/2" NPT)
10-3100 (1/2" x 1/2" NPT)
10-3100 (1/2" x 1/2" NPT)

Hydro Jet™ 2 1/2" Fitting Thread Length

10-3100 (1/2" x 1/2" NPT)
10-3100 (1/2" x 1/2" NPT)
10-3100 (1/2" x 1/2" NPT)

Hydro Jet™ For 1 1/2" PVC Pipe Extension

10-4100 (1/2" x 1/2" NPT)
10-4100 (1/2" x 1/2" NPT)
10-4100 (1/2" x 1/2" NPT)

Hydro Jet™ Extension - For Granite / Hot Top

10-4100 (1/2" x 1/2" NPT)
10-4100 (1/2" x 1/2" NPT)
10-4100 (1/2" x 1/2" NPT)

Page D-3

H

SDX HIGH FLOW SAFETY SKIM

PARAMOUNT

Available for up to 100 sq. ft. pool area. The SDX skimmer is designed to provide high flow suction and safety. It features a unique design that allows for easy installation and maintenance. The skimmer is made of durable materials and is designed to last for many years. It is a great addition to any pool and provides a safe and effective way to keep your pool clean.

PARAMOUNT

1-800-621-1890

M

Product Specification Sheet

AquaStar® pool products Inc.

Description:
VGS Series 32" Channel Drain with Flat Gate Anti-Entrapment Suction Outlet Cover/Frame

Part #:

- 32CDFLR101 White
- 32CDFLR102 Black
- 32CDFLR103 Lt. Gray
- 32CDFLR104 Blue
- 32CDFLR105 Dark Gray
- 32CDFLR106 Bone
- 32CDFLR107 Taupe
- 32CDFLR108 Tan

Features:

- Manufactured from UV Resistant, Rigid Polypropylene (PP)
- Anti-Entrapment Single Section Outlet, No SVS Required Per APSP?
- Flat Top Deck Design
- Available in 8 Colors
- Flow Rate: 300GPM Flow, 200GPM Yield (Estimated, Pending IAPMO Final)
- Meets or Exceeds APSP/ANSI
- A.U.I. 1.0/2.0/3.0/4.0/5.0/6.0/7.0/8.0/9.0/10.0/11.0/12.0/13.0/14.0/15.0/16.0/17.0/18.0/19.0/20.0/21.0/22.0/23.0/24.0/25.0/26.0/27.0/28.0/29.0/30.0/31.0/32.0/33.0/34.0/35.0/36.0/37.0/38.0/39.0/40.0/41.0/42.0/43.0/44.0/45.0/46.0/47.0/48.0/49.0/50.0/51.0/52.0/53.0/54.0/55.0/56.0/57.0/58.0/59.0/60.0/61.0/62.0/63.0/64.0/65.0/66.0/67.0/68.0/69.0/70.0/71.0/72.0/73.0/74.0/75.0/76.0/77.0/78.0/79.0/80.0/81.0/82.0/83.0/84.0/85.0/86.0/87.0/88.0/89.0/90.0/91.0/92.0/93.0/94.0/95.0/96.0/97.0/98.0/99.0/100.0
- ACP/Lead (see note)

Case Amount:
12 Per Case

30-13118

1. 32" Channel Drain, Flat, No Sump, Frame
2. 32" Channel Drain, Flat, No Sump, Cover
3. 32" Channel Drain, Flat, No Sump, Support
4. 32" Flat Top Mesh Filter Screen QTY: 8

82V080134

Email: info@aquastarpoolproducts.com
Toll Free Phone: (877)766-2717
Fax: (877)724-POOL
www.AquaStarPoolProducts.com Page 35

N

IAPMO Approved Nespa Drain Sump (Fiberglass Composite) Listed under AquaStar IAPMO #SP-4900

NESPA ENTERPRISES, Inc. Listed

P/N - NESPA.32CD.2.5,2.5,2.5

(530) 534 - 9910

SCALE N/A

PLOT TIME Dec 03, 2009 - 1:30pm

DWG NAME LA MESA VILLAGE

DWG TYPE Equipment

STANDARD NESPA IN-GROUND INSTALLATION INSTRUCTIONS **SET-UP AND EXCAVATION**

Prerequisites: Before installing your Nespa spa. You may be required to acquire a permit from your local State, County, and City building dept and or Health department. (Commercial jobs need Health Dept. Approval). Your spa installation must comply with the most current codes. (**Uniform Swimming Pool, Spas & Hot Tub Code 2006 (USPC 2006)**).

Spa drawings: Request from Nespa a current spa specific construction detail, plan and section, spa plumbing detail.

Delivery Access: Clearly determine the method of getting the spa to jobsite and into the hole. This may require the use of a crane, forklift, hoist, backhoe and/or manpower etc.

- 1) The following instructions are general guidelines and may not apply to your specific jobsite conditions. When excavating for your spa remember to provide for plumbing and light connection clearances. In order to determine how to excavate for your spa or swim spa, measure spas outside dimension (O.D.) and add minimum 3” to all sides. This 3” clearance is to accommodate jet and suction plumbing. This 3” clearance can change or be reduced upon request. Note: skimmer location, this area may have to be larger than 3”, if commercial 22”.
- 2) **Freeze Climates-** If the spa is place into a vault (typical of freeze climates) a standard 18” or more of clearance minimum from spa perimeter should be provided. This dead air space is for possible future access to spa plumbing in case of a freeze. Area drain is mandatory. **Ask your local installer** for his experienced opinion. Do not hesitate to call us because we want to be sure that your installation progresses as smoothly as possible. If you have questions call us. (888) 479-4677.
- 2) **Hole depth** is determined by spa’s outside height dimension. This height may vary depending if spa has skids or no skids. The spa lip may be finished or non- finished. How is the perimeter deck elevation transitioning to the spa? Focus on the finish surrounding deck elevations, thickness of the finish material on spa upper horizontal lip, equal to lip or under the spa lip. This material can be tile, stone, concrete or brick.
- 3) **Preplumb** the spa before it goes into the hole. If there are needs for electrical , bonding or control conduits run them as well before dropping in hole. Connect bond wire to niche would be best.
- 4) **Spa should sit on level 3 ½” thick reinforced concrete pad. Sweep debris off pad prior to dropping in hole.**
- 5) **Install spa** into the hole on top of concrete pad. Use the Eye bolts provided for crane, forklift etc. rigging. Do not hold onto pipes. Use caution with suction and jet plumbing when lowering into hole. **DO NOT STRESS FITTINGS!** Fill Spa with water and check for leaks prior to backfill.

- 6) **Check site reference** points for proper spa positioning (i.e., squaring to house, garage, etc.).
- 7) **Shim to level spa.** Shim with non-compression able material. Re square to house, or ref. point.
- 8) **Dry pack** with cement the gaps that have been created when shimming spa level.
- 9) **Connect pipes to tees** if spa is preplumb. Installers properly support your new plumbing from stressing spas preplumb fittings. After electrical conduit and bond wire is connected to light niche, water test spa before back filling with sand.
NOTE: All Nespa products are water tested prior to leaving factory.

ELECTRICAL:

- 1) All electrical connections to spa or equipment should comply with the most recent national electrical code (NEC), state and local codes.
- 2) Connect electrical conduit to light niche. This work should be done or reviewed by a licensed electrician.
- 3) To install spa light you will need to include inside the PVC conduit to the light niche a solid #8 coated copper wire. (If you are use brass conduit, internal bond wire is not required.) This bond wire should be pulled with the light cord at the same time. This bond wire needs to be attached to the internal bonding lug of the light niche. An approved encapsulate should be applied to bond wire connection in niche.
- 4) An external #8 copper wire shall be connected to the external bonding lug on the rear of the light niche. This copper wire can then be used for additional bonding requirements (i.e., handrails or any other metallic object within 5' of the spa.

PLUMBING:

- 1) **When plumbing a Nespa it is important to properly size the plumbing. We highly recommend that you follow the pump manufacturer's pipe sizing requirements and Uniform Swimming Pool, Spas & Hot Tub Code 2006 (USPC 2006). This code book is available at www.IAPMO.org or (909) 472 4100.**
- 2) The jet air venturi should be a Hartford loop design adjacent to spa shell and air entry point can be located next to spa or remotely at equipment.
- 3) Fill spa with water and test the system for leaks PRIOR to backfilling with sand.

SAND BACK FILL:

- 1) **With water in spa, back-fill around spa perimeter with dry plaster sand and wet wash with hydraulic attachment to hose. Let set for one hour and hydraulic dry again. Be sure water level in spa is at the highest level. Any questions please call us. (888) 479-4677.**
- 2) **If spa is free standing on elevated deck or a structure, it is important to fill spa with water and load area prior to installing coping or perimeter decking. If spa is installed in a vault situation a area drain is needed.**

NESPA ENTERPRISES INC.

2800 Richter Ave. Suite E

Oroville, CA 95966

Office: (888) 479-4677 Fax: (530) 534-9915

E-Mail: nespa@pacbell.net www.tiledspas.com

IN-GROUND

INSTALLATION

ALL DIMENSIONS SUBJECT TO 1/4" TOLERANCES

SCALE: 1/2" = 1'-0"

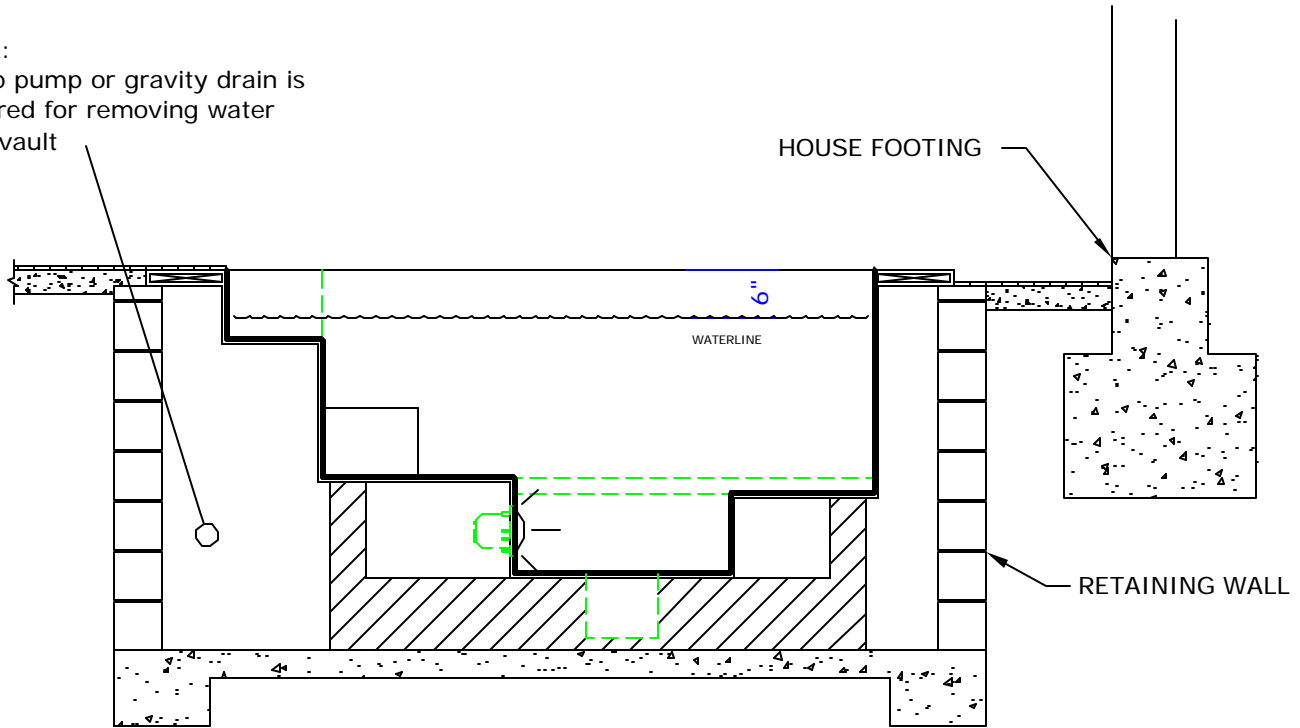
DATE: 3/27/02

JOB : STANDARD INSTALL

DW #: SI-1, SI-2

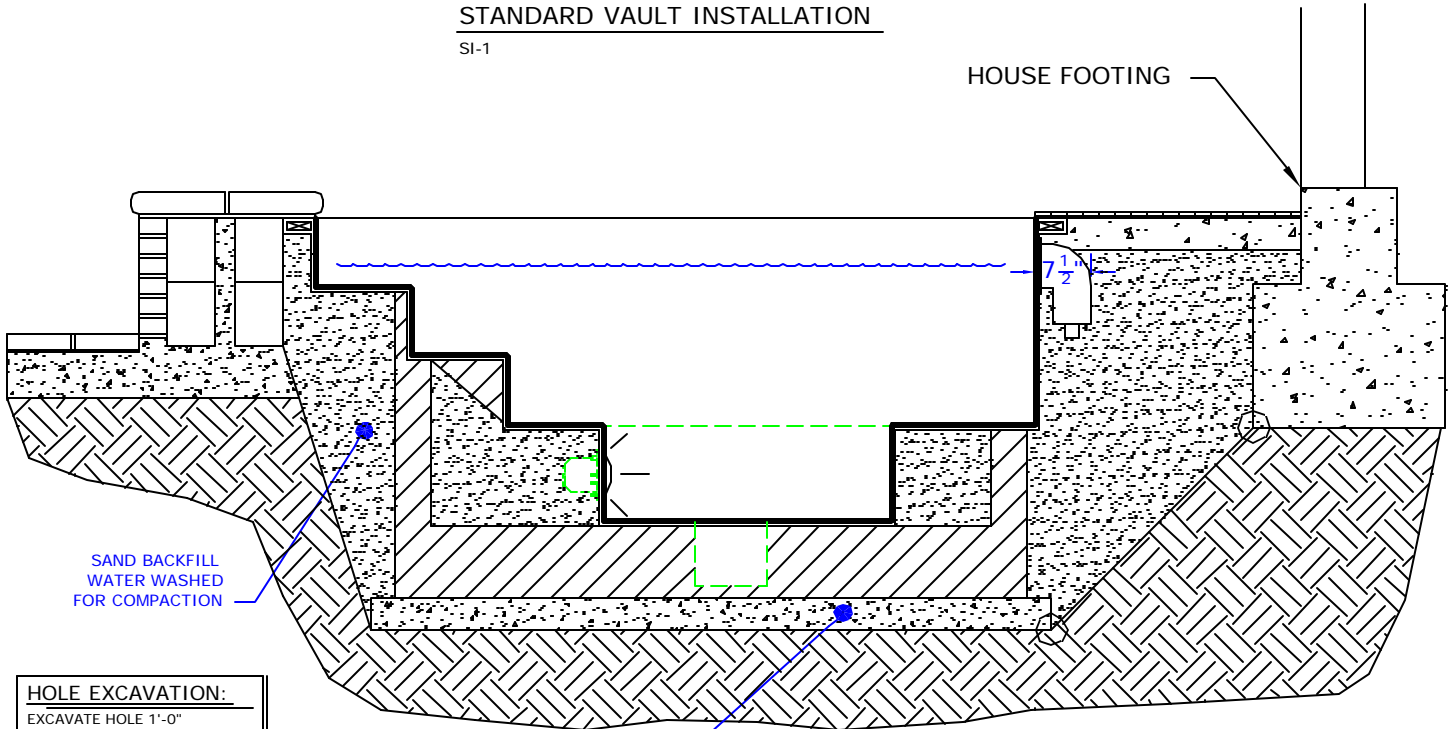
NOTE:

Sump pump or gravity drain is required for removing water from vault



STANDARD VAULT INSTALLATION

SI-1



SAND BACKFILL
WATER WASHED
FOR COMPACTION

HOLE EXCAVATION:

EXCAVATE HOLE 1'-0"
LARGER THAN THE OUTSIDE
DIAMETER (OD) OF SPA

4" CONCRETE SLAB
REINFORCED WITH
#10 MESH

STANDARD INGROUND INSTALLATION

SI-2

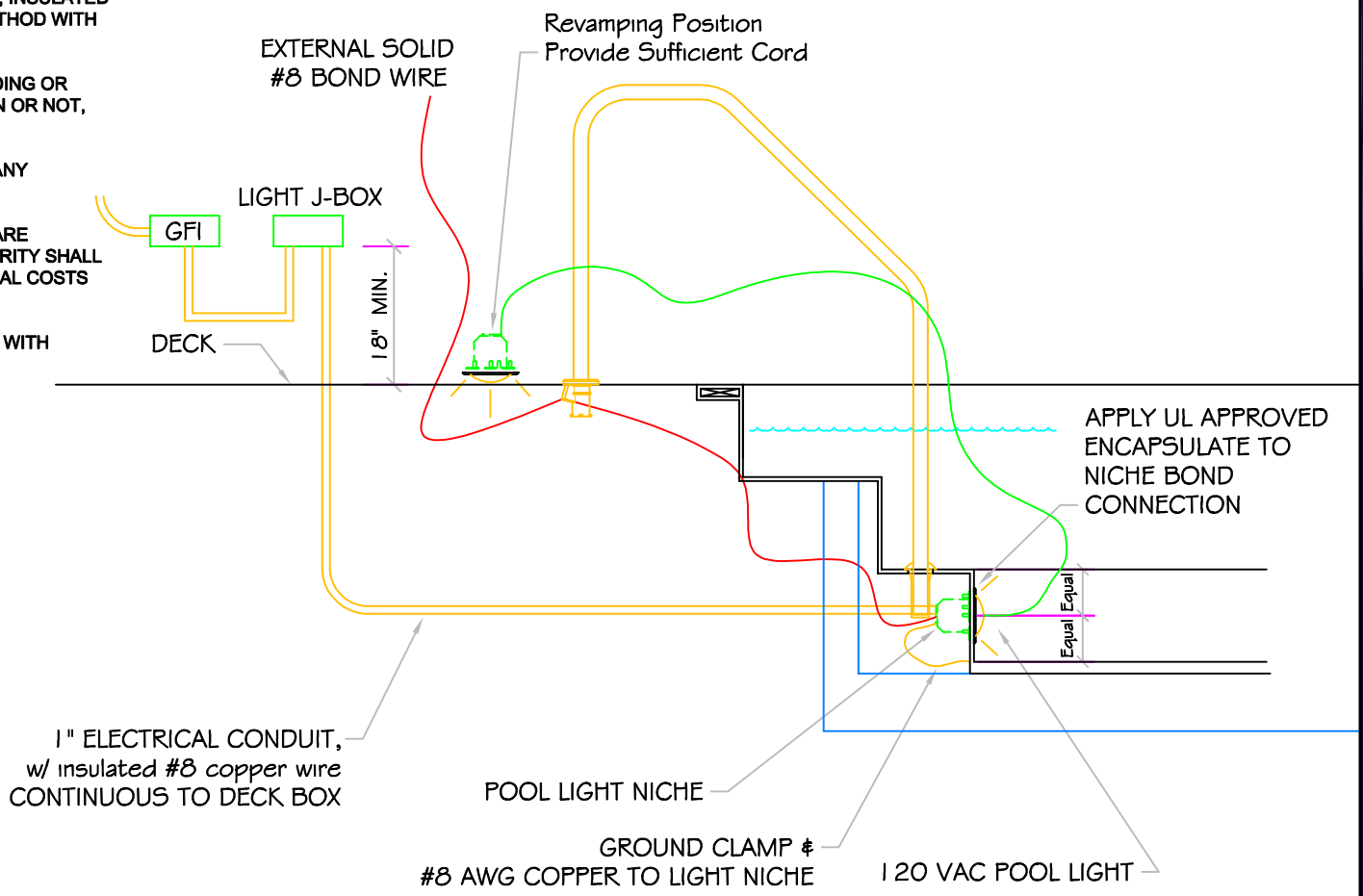
NOTE:

Footing can not surcharge spa.
Slope from bottom of slab to
nearest corner of house footing
must not exceed 1" = 1".

POOL BONDING REQUIREMENTS:

1. THE FOLLOWING PARTS SHALL BE BONDED TOGETHER AND CONNECTED TO THE COMMON BONDING GRID.
 - A. ALL THE METALLIC PARTS OF THE POOL STRUCTURE INCLUDING COPING STONES, DECK, PERMANENT PLAY STRUCTURES, PERMANENT EXERCISE STRUCTURES.
 - B. ALL METAL FITTINGS WITHIN OR ATTACHED TO THE POOL STRUCTURE
 - C. METAL PARTS ASSOCIATED WITH THE POOL WATER CIRCULATING SYSTEM, INCLUDING PUMPS, FILTERS, AND HEATERS.
 - D. METAL PARTS ASSOCIATED WITH POOL COVERS
 - E. METAL SHEATHED CABLES AND RACEWAYS, METAL PIPING AND ALL FIXED METAL PARTS WITHIN 5 FEET HORIZONTALLY OF INSIDE WALLS OF POOL AND WITHIN 12 FEET ABOVE MAXIMUM WATER LEVEL OF POOL.
 - F. METAL PARTS ASSOCIATED WITH OBSERVATION STANDS, TOWERS, PLATFORMS, AND DIVING STRUCTURES.
2. BONDING CONDUCTORS SHALL BE MINIMUM #8 SOLID COPPER, INSULATED E.C. SHALL COORDINATE APPROVED CONNECTOR TYPE AND METHOD WITH LOCAL ELECTRICAL AND/ OR POOL INSPECTOR.
3. SPECIFIC MANUFACTURER'S INSTRUCTIONS REGARDING BONDING OR GROUNDING OF POOL EQUIPMENT, WHETHER INDICATED HEREIN OR NOT, SHALL BE STRICTLY FOLLOWED.
4. THE COMMON BONDING GRID SHALL NOT BE CONNECTED TO ANY ELECTRICAL DISTRIBUTION EQUIPMENT.
5. ANY PARTS IN ADDITION TO THOSE DESCRIBED HEREIN THAT ARE INDICATED BY POOL CONTRACTOR OR LOCAL INSPECTION AUTHORITY SHALL BE BONDED TO THE COMMON BONDING GRID WITH NO ADDITIONAL COSTS INCURRED BY THE OWNER.
6. THE ELECTRICAL CONTRACTOR SHALL COORDINATE BONDING WITH GENERAL CONTRACTOR.

LIGHT DETAIL



ALL DIMENSIONS SUBJECT TO 1/4" TOLERANCES

These drawings, concepts, and details contained herein are the original proprietary designs of NESPA ENTERPRISES, developed over many years of experience in the pool and spa industry and as such are protected by the copyright laws of the United States Government. Reproduction of any of the above without written permission to do so by NESPA ENTERPRISES, is illegal.

NESPA ENTERPRISES INC.
 2800 Richter Ave. Ste. C Oroville, CA 95966
 Office: (530) 534-9910 Fax: (530) 534-9915
 E-Mail: sales@tiledspas.com Web Site: www.tiledspas.com



SIZE A	DWG NAME DETAILS	DWG TYPE Detail
SCALE 1/2" = 1'	DATE 7/24/2008	SHEET PAGE 1 OF 1

NESPA ENTERPRISES, Inc. LIMITED WARRANTY

This LIMITED WARRANTY covering NESPA products is extended to the ORIGINAL PURCHASER-USER BY NESPA ENTERPRISES Inc.(NESPA), 2800 Richter Ave. Unit C California 95966.

NESPA products are thoroughly inspected and tested prior to factory shipment. NESPA warrants to the ORIGINAL PURCHASER-USER that NESPA Spas and Swim Spas will be free of defect in workmanship, accessories and parts, provided said accessories and parts were manufactured by NESPA. NESPA, under this LIMITED WARRANTY, warrants only that its Spas and Swim Spas shall be structurally sound, shall retain their shape, and shall retain water for the warranty period. NESPA warrants the adhesion of tile to fiberglass for a period of three (3) years and structural soundness for ten (10) years. NESPA warrants epoxy grout adhesion for a period of three years. If any such defects appear and are reported within the warranty period, NESPA shall repair or replace such defective parts without charge if an inspection proves the claim.

The provisions of the LIMITED WARRANTY shall not apply to tile cracked, split, chipped or damaged after the product has left the factory, nor damage to tile caused by freezing nor to damage, defect, malfunction or failure to conform with the above warranty provisions where the damage, defect, malfunction or failure to conform was caused during shipment or by distributor or by unreasonable use by ORIGINAL PURCHASER-USER including improper water balance and improper sand pack or support.

This LIMITED WARRANTY shall not apply to any plumbing, equipment, or installation of spas and Swim Spas and shall not apply to any alterations made to or upon NESPA products except alterations made by NESPA employees or NESPA authorized representatives.

This LIMITED WARRANTY is expressly in lieu of all other warranties expressed or implied including the warranties of merchantability and fitness for use and all other obligations or liabilities on NESPA'S part, and NESPA neither assumes nor authorizes any other person to assume for NESPA any other liability in connection with the sale of this NESPA product. This LIMITED WARRANTY shall not apply to this NESPA product or any part thereof which has been subject to accident, negligence, alteration, abuse or misuse. NESPA makes no warranty whatsoever with respect to accessories or parts not manufactured by NESPA.

The term "ORIGINAL PURCHASER-USER" as used in this LIMITED WARRANTY shall be deemed to mean that person for whom the NESPA product is originally installed.

The LIMITED WARRANTY provided herein and the obligations and liabilities of NESPA hereunder are exclusive and are in lieu of, and buyer and original PURCHASE-USER hereby waive all other remedies, warranties, guarantees or liabilities, expressed or implied, arising by law or otherwise (including without limitation and obligations of NESPA with respect to fitness, merchantability, and consequential damages) or whether or not occasioned by NESPA'S negligence.

This LIMITED WARRANTY shall not be extended, altered or varied except by a written instrument signed by NESPA and original PURCHASER-USER.