



NESPA ENTERPRISES INC.

2800 Richter Ave. Suite C
 Oroville, CA 95966
 Office: (530) 534-9910
 Fax: (530) 534-9915
 E-Mail: sales@tiledspas.com
 Web Site: www.tiledspas.com

SWIMSPA

SPA DETAIL

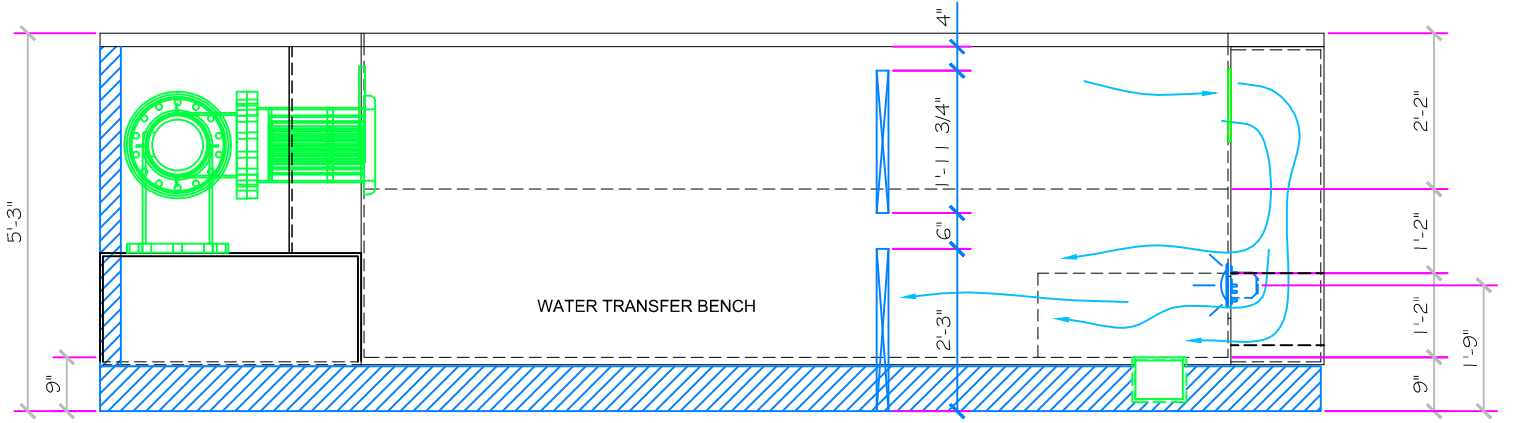
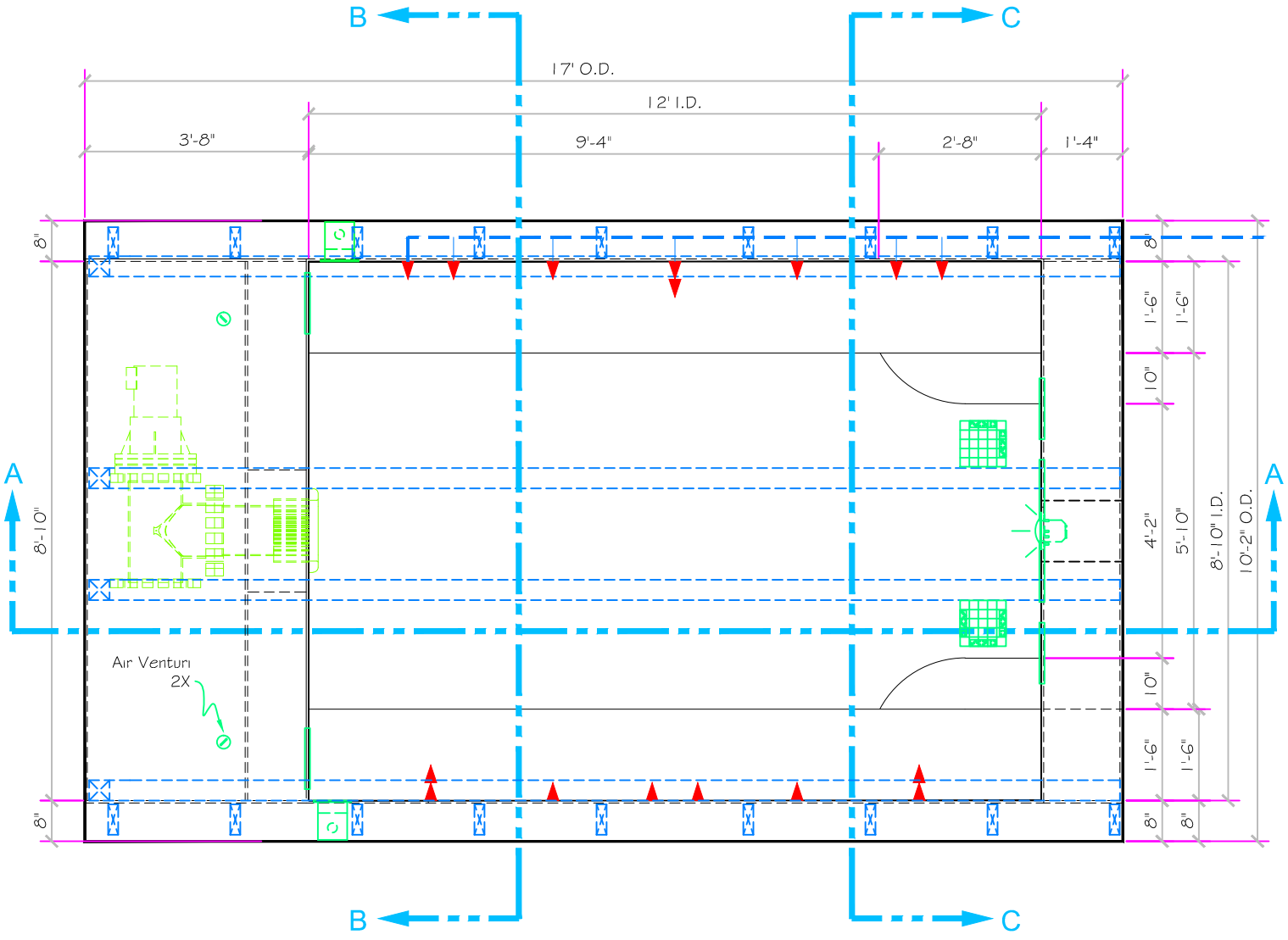
ALL DIMENSIONS SUBJECT TO 1/4" TOLERANCES

SCALE: 3/8" = 1'

DATE: 8/1/2006

JOB: LINDY

DR#: SD



SECTION A

These drawings, concepts, and details contained herein are the original proprietary designs of NESPA ENTERPRISES, developed over many years of experience in the pool and spa industry and as such are protected by the copyright laws of the United States Government. Reproduction of any of the above without written permission to do so by NESPA ENTERPRISES, is illegal.



NESPA ENTERPRISES INC.

2800 Richter Ave. Suite C
Oroville, CA 95966
Office: (530) 534-9910
Fax: (530) 534-9915
E-Mail: sales@tiledspas.com
Web Site: www.tiledspas.com

SWIMSPA SECTIONS

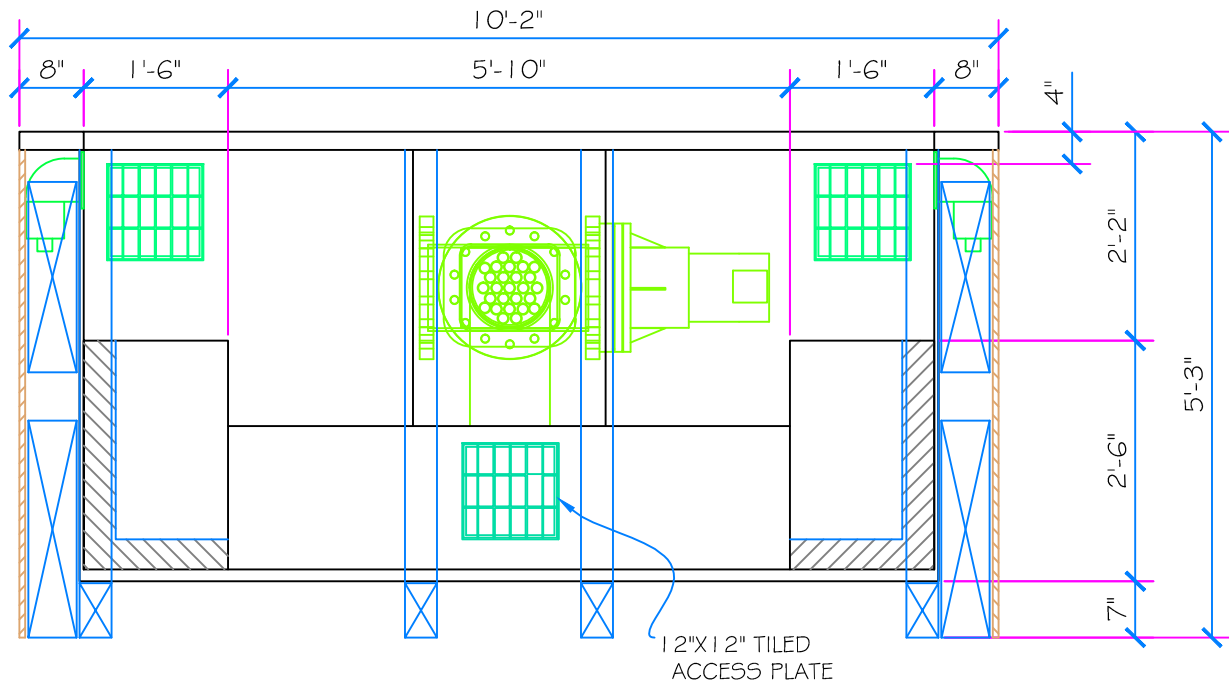
ALL DIMENSIONS SUBJECT TO 1/4" TOLERANCES

SCALE: 1/2" = 1'

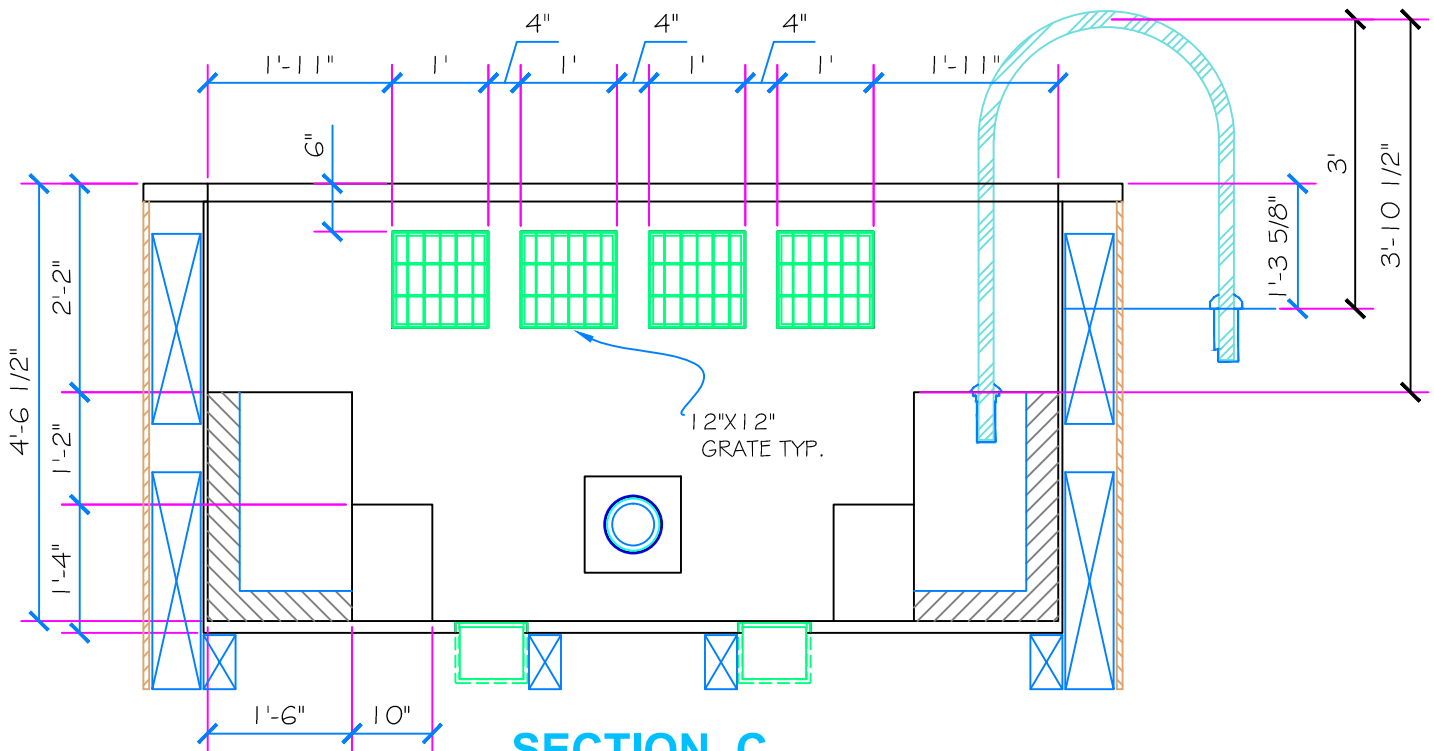
DATE: 8/1/2006

JOB: LINDY

DR#: SECTIONS



SECTION B



SECTION C



NESPA ENTERPRISES INC.

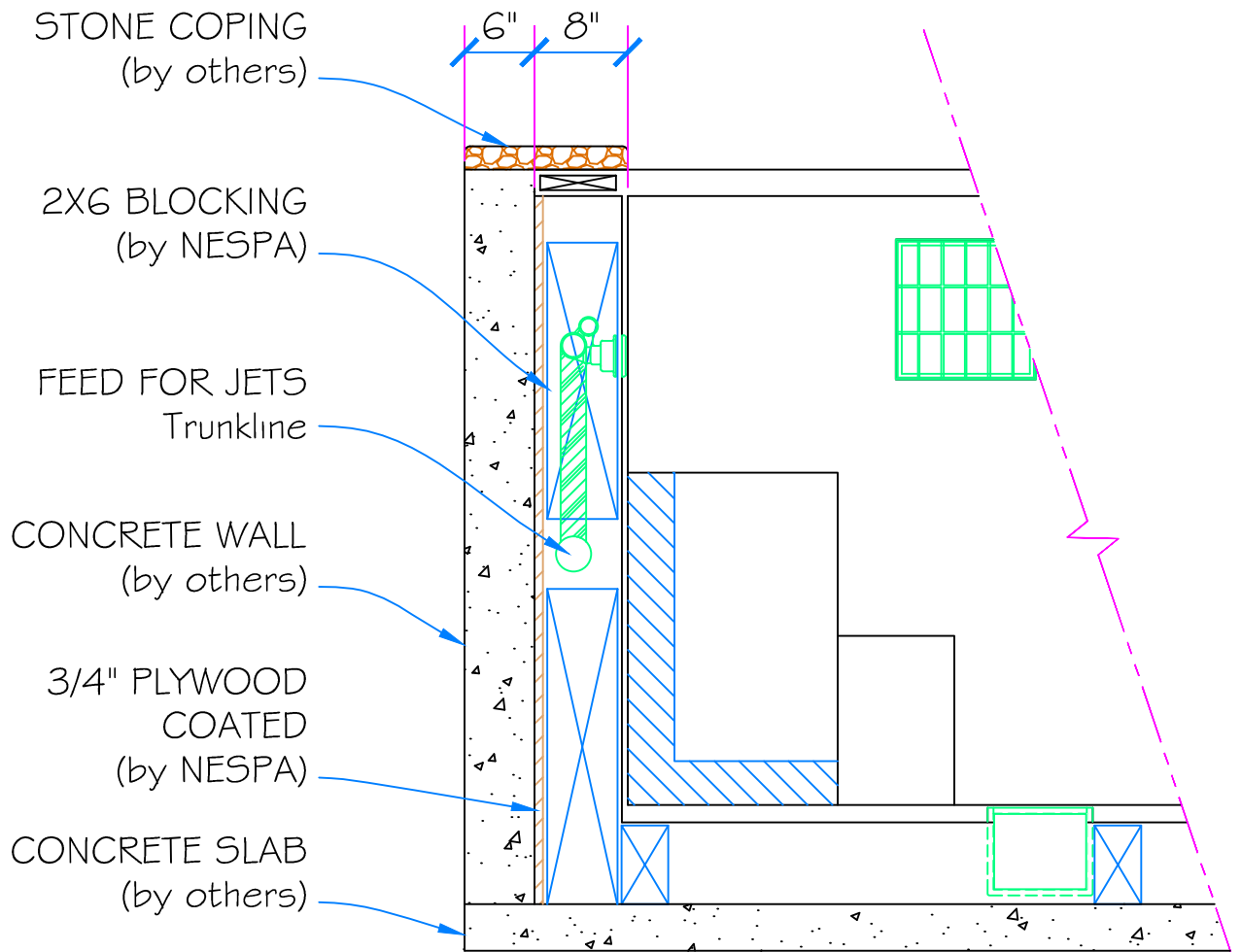
2800 Richter Ave. Suite C
Oroville, CA 95966
Office: (530) 534-9910
Fax: (530) 534-9915
E-Mail: sales@tiledspas.com
Web Site: www.tiledspas.com

SWIMSPA

SECTION DETAILS

SCALE: 3/4" = 1'
DATE: 8/1/2006
JOB: LINDY
DR#: SECTION DETAILS

ALL DIMENSIONS SUBJECT TO 1/4" TOLERANCES



SECTION DETAIL



NESPA ENTERPRISES INC.

2800 Richter Ave. Suite C
Oroville, CA 95966
Office: (530) 534-9910
Fax: (530) 534-9915
E-Mail: sales@tiledspas.com
Web Site: www.tiledspas.com

SWIMSPA EQUIPMENT

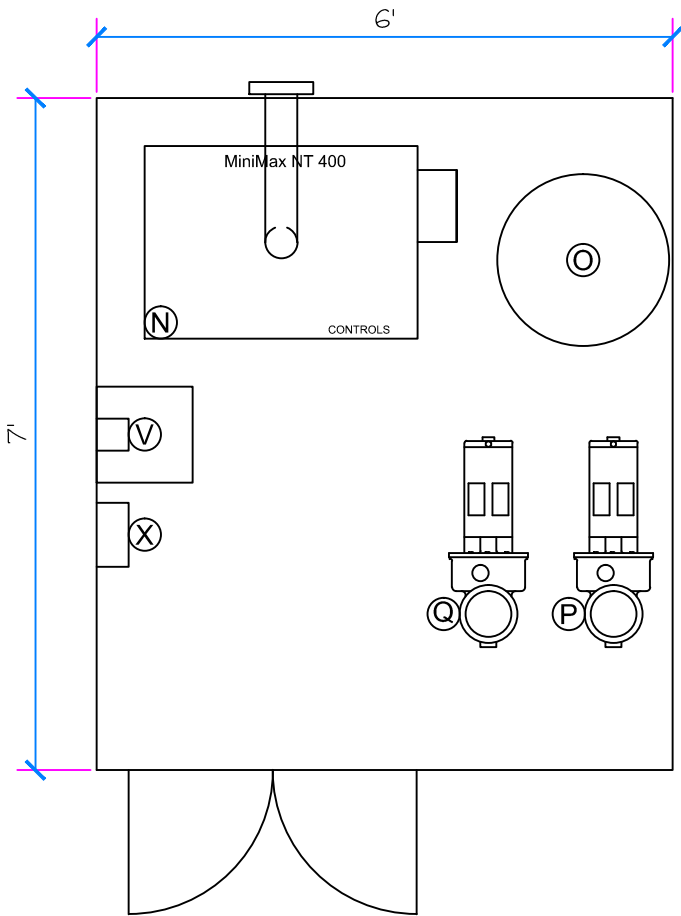
ALL DIMENSIONS SUBJECT TO 1/4" TOLERANCES

SCALE: 1/2" = 1'-0"

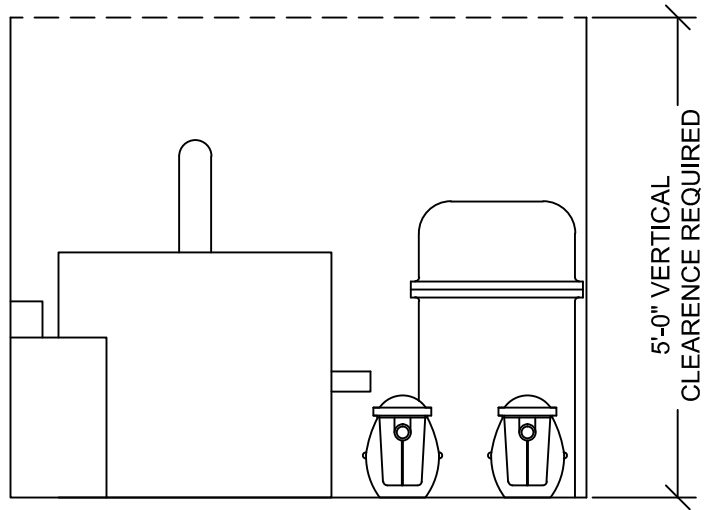
DATE: 4/24/2006

JOB: LINDY

DR#: EQUIP



NOTE:
400 SQ. IN. VENT FOR
COMBUSTABLE AIR
SUPPLY





NESPA ENTERPRISES INC.

2800 Richter Ave. Suite C
 Oroville, CA 95966
 Office: (530) 534-9910
 Fax: (530) 534-9915
 E-Mail: sales@tiledspas.com
 Web Site: www.tiledspas.com

**SWIMSPA
 EQUIPMENT LIST**

ALL DIMENSIONS SUBJECT TO 1/4" TOLERANCES

SCALE: N/A
 DATE: 8/1/2006
 JOB: LINDY
 DR#: EQUIP LIST

ITEM	DESCRIPTION	MANUFACTURER	CATALOG NO.	QTY.
A	LIGHT NICHE (FOR UNDERWATER LIGHT) W/ 1" HUB	PENTAIR/PACFAB	782423	1
B	SPA BRIGHT UNDERWATER LIGHT, 120 VOLT, 100 WATT, 50' CORD, U.L. APPROVED	PENTAIR/PACFAB	78108100	1
C	LIGHT J-BOX	PENTAIR/PAC FAB	78310700	1
D	SURFACE SKIMMER W/ EQUALIZER, NSF APPROVED	HAYWARD	SP-1084 FVE	2
E	4" ANTI VORTEX EQUALIZIER 3.61 SQ.IN. OPEN AREA, COMPLIES W/ ANSI CODE A112.19	HYDROAIR	10-6806	4
F	HYDRO INLETS, 1 1/2" WATER, 1 1/2" AIR	HAYWARD	10-5100	16
G	INLET FITTINGS, 1 1/2", WALL TYPE, W/ EYEBALL	HYDRO AIR	10-3500	2
H	5" HIGH FLOW ANTI VORTEX SUCTIONS 8.39 SQ. IN. OPEN AREA 208 GPM AT 1.5 FT/SEC WATER VELOCITY, COMPLIES W/ ANSI CODE A112.19 UL APPROVED	WATERWAY	640-3850	2
I	HAND RAIL, STAINLESS STEEL, 2' 6" LENGTH, W/ .065TUBING WALL THICKNESS	S.R. SMITH	DMS-102	1
J	WEDGE ANCHORS, BRONZE	S.R. SMITH	EP-100A	2
L	COPING TILE ON TOP HORIZONTAL EDGE OF SPA	DAL	C701	
M	MAIN DRAIN GRATE, 12" X 12" FRAME, 85 SQ. IN. OPEN AREA, 401 GPM @1 1/2 FT/SEC	PAC FAB	54-2020	9
N	RAYPAK NATURAL GAS HEATER 400,000 BTU	RAYPAK	RPK 9219	1
O	CARTRIDGE FILTER 200 SQ. FT. Clean and Clear Series Vertical Clean Clearance =76"	PENTAIR/PAC FAB	CC200	1
P	FILTRATION PUMP AND MOTOR, SELFPRIMING, 113 GPM @ 60 FT. HEAD, 2HP, 230 VOLT, 20 AMP 1 PHASE, 2" DISCHARGE UNIT WITH PUMP STRAINER	PENTAIR	WFE-8	1
Q	TURBULENCE PUMP AND MOTOR, SELFPRIMING, 113 GPM @ 60 FT. HEAD, 2 HP, 230 VOLT, 20 AMP 1 PHASE, 2" DISCHARGE UNIT WITH PUMP STRAINER	PENTAIR	WFE-8	1
R	BALL VALVE, 2" SLIP X SLIP	SPEARS	2612-020	3
S	VACUUM GAGE, 0" TO 30", 2-1/2" DIA.	ASHCROFT	GB20PA02LKVAC	1
T	PRESSURE GAUGE, 0 TO 60 PSI, 2-1/2 DIA.	AHSCROFT	B20PA02RK60	1
U	FLOW METER, 2" 20 TO 125 GPM SCALE	BLUE WHITE	F30200P	1
V	BROMINATOR, AUTOMATIC TYPE, OFF LINE	HAYWARD	CL-220	1
X	CONTROLS SYSTEM, POWER CENTER W/ CIRCUIT BREAKER, DUAL TIME CLOCKS, REMOTE EMERGENCY	COMPOOL	LX802L	1



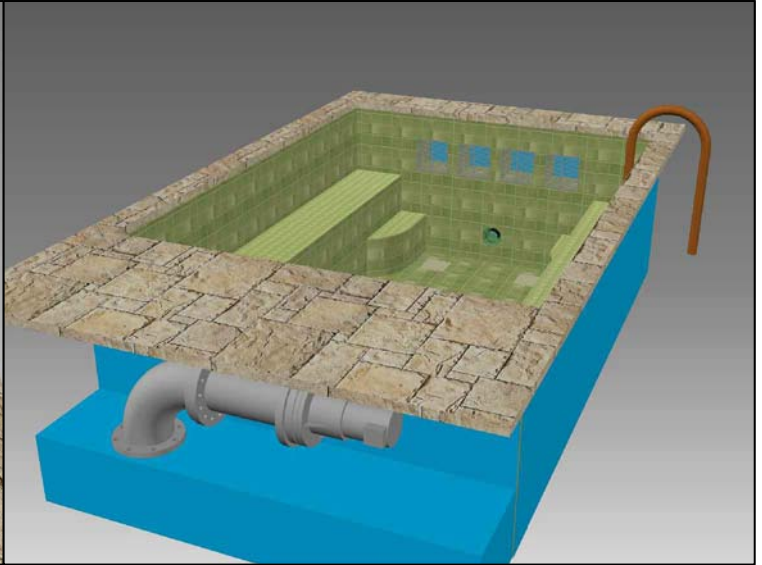
NESPA ENTERPRISES INC.

2800 Richter Ave. Suite C
Oroville, CA 95966
Office: (530) 534-9910
Fax: (530) 534-9915
E-Mail: sales@tiledspas.com
Web Site: www.tiledspas.com

SWIMSPA RENDER DETAIL

ALL DIMENSIONS SUBJECT TO 1/4" TOLERANCES

SCALE:	N/A
DATE:	7/21/2006
JOB:	LINDY
DR#:	RENDER



These drawings, concepts, and details contained herein are the original proprietary designs of NESPA ENTERPRISES, developed over many years of experience in the pool and spa industry and as such are protected by the copyright laws of the United States Government. Reproduction of any of the above without written permission to do so by NESPA ENTERPRISES, is illegal.

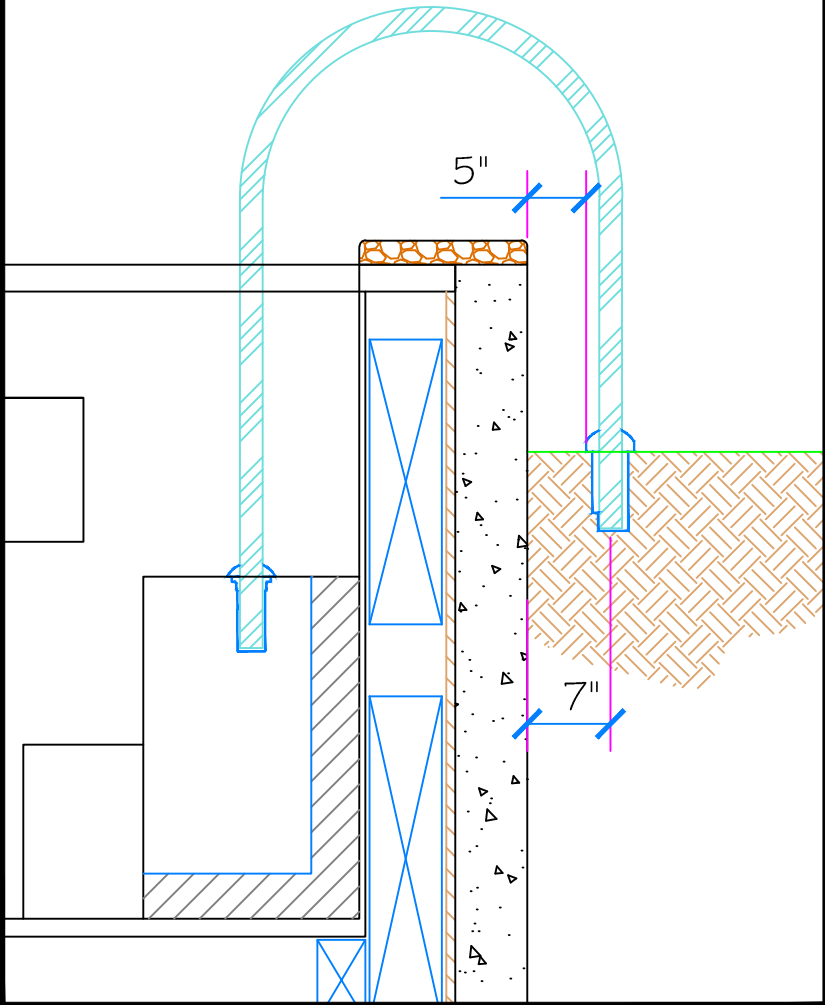
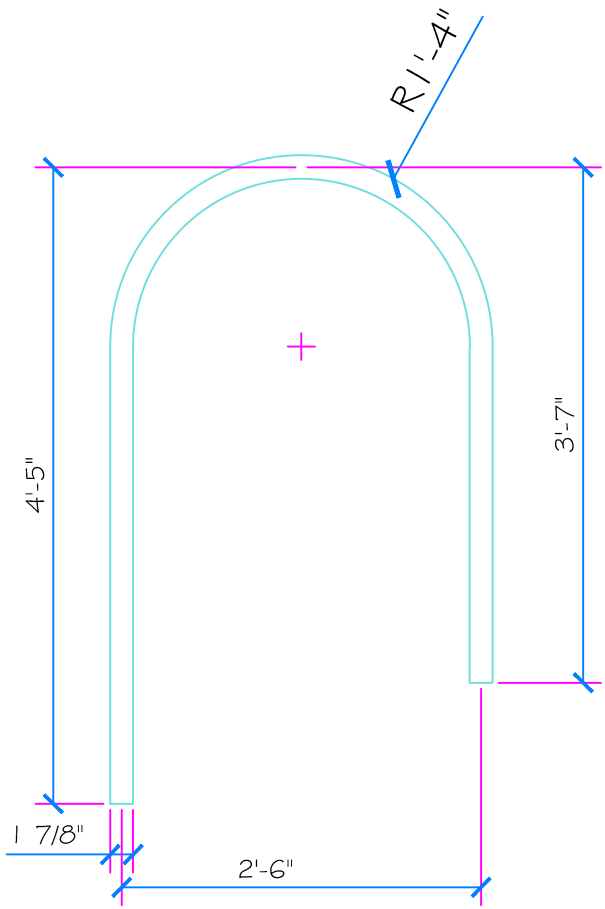


NESPA ENTERPRISES INC.
 2800 Richter Ave. Suite C
 Oroville, CA 95966
 Office: (530) 534-9910
 Fax: (530) 534-9915
 E-Mail: sales@tiledspas.com
 Web Site: www.tiledspas.com

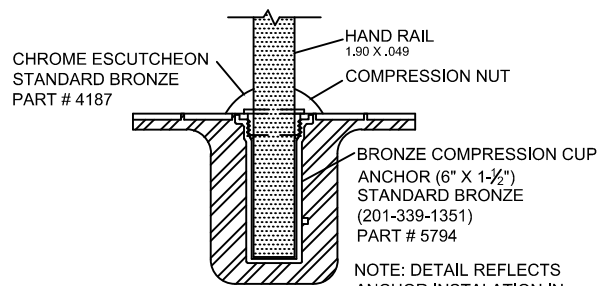
SWIMSPA RENDER DETAIL

ALL DIMENSIONS SUBJECT TO 1/4" TOLERANCES

SCALE: 3/4" = 1'
 DATE: 8/1/2006
 JOB: LINDY
 DR#: HANDRAIL

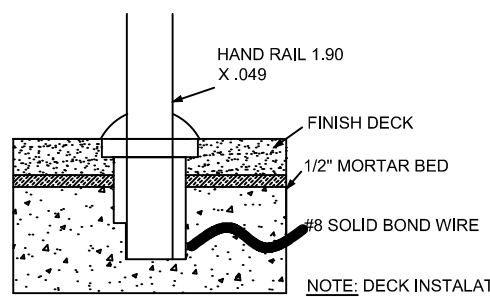


COMPRESSION ANCHOR



NOTE: DETAIL REFLECTS ANCHOR INSTALLATION IN NESPA SHELLS ONLY. DECK INSTALLATION WILL REQUIRE #8 BOND WIRE ATTACHED TO BONDING GRID.

DECK ANCHOR



NOTE: DECK INSTALLATION WILL REQUIRE #8 BOND WIRE ATTACHED TO BONDING GRID.



NESPA ENTERPRISES INC.
2800 Richter Ave. Suite C
Oroville, CA 95966
Office: (530) 534-9910
Fax: (530) 534-9915
E-Mail: sales@tiledspas.com
Web Site: www.tiledspas.com

SWIMSPA HANDRAIL DETAIL

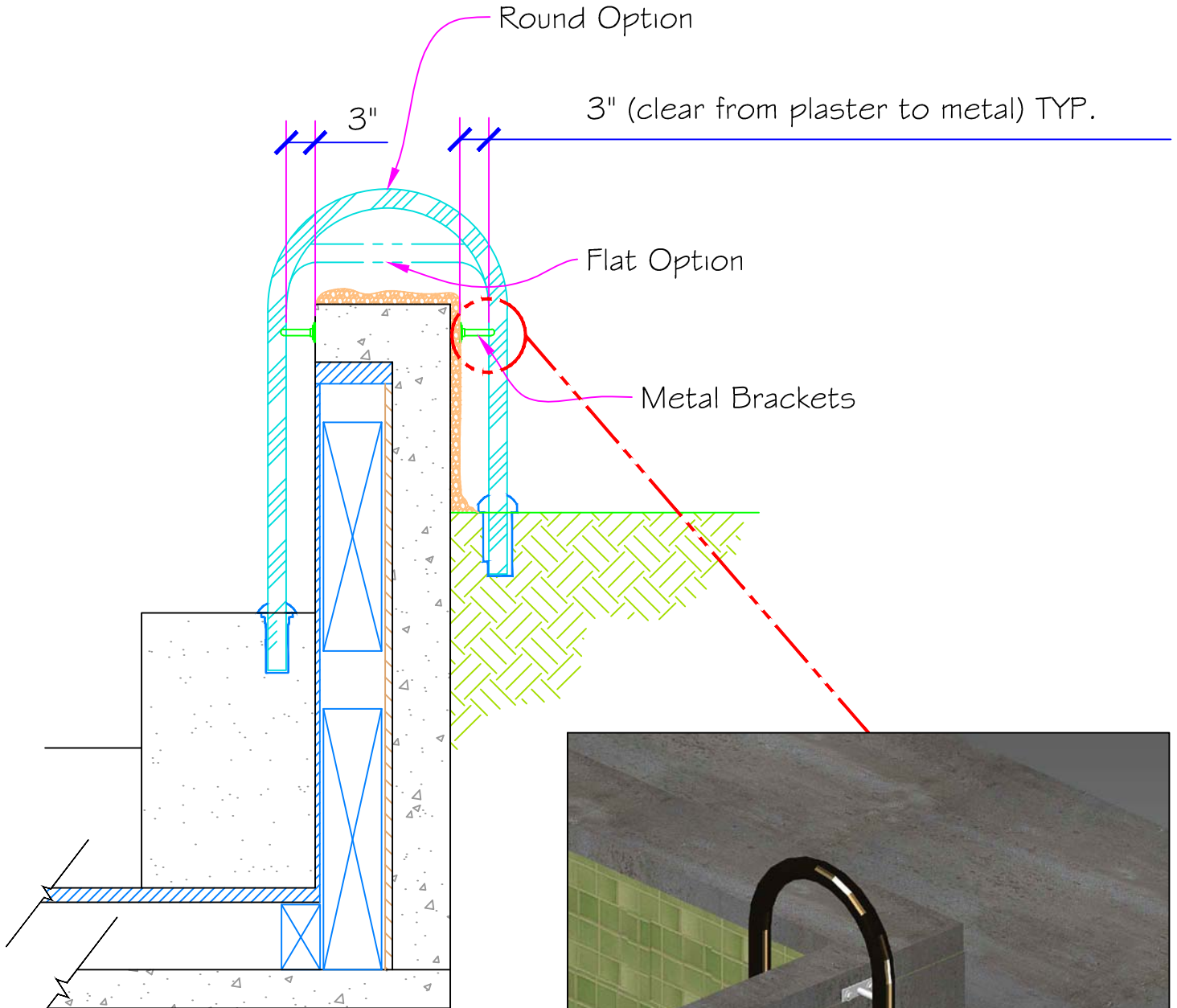
ALL DIMENSIONS SUBJECT TO 1/4" TOLERANCES

SCALE: 3/4" = 1'

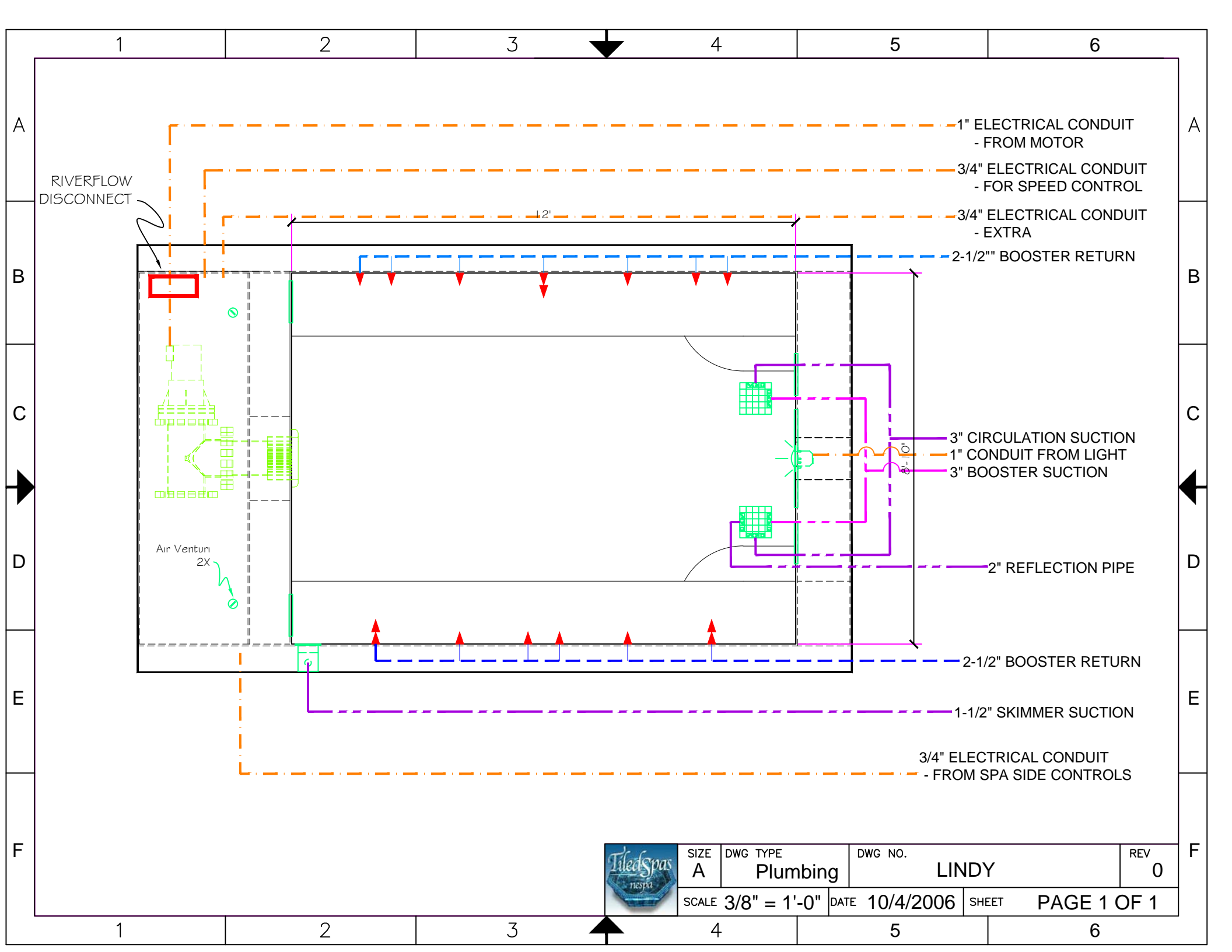
DATE: 8/14/2006

JOB: LINDY

HANDRAIL DETAIL



These drawings, concepts, and details contained herein are the original proprietary designs of NESPA ENTERPRISES, developed over many years of experience in the pool and spa industry and as such are protected by the copyright laws of the United States Government. Reproduction of any of the above without written permission to do so by NESPA ENTERPRISES, is illegal.



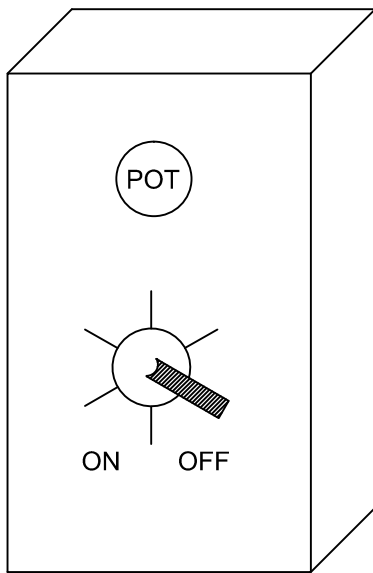
RIVERFLOW DISCONNECT

Air Venturi 2X

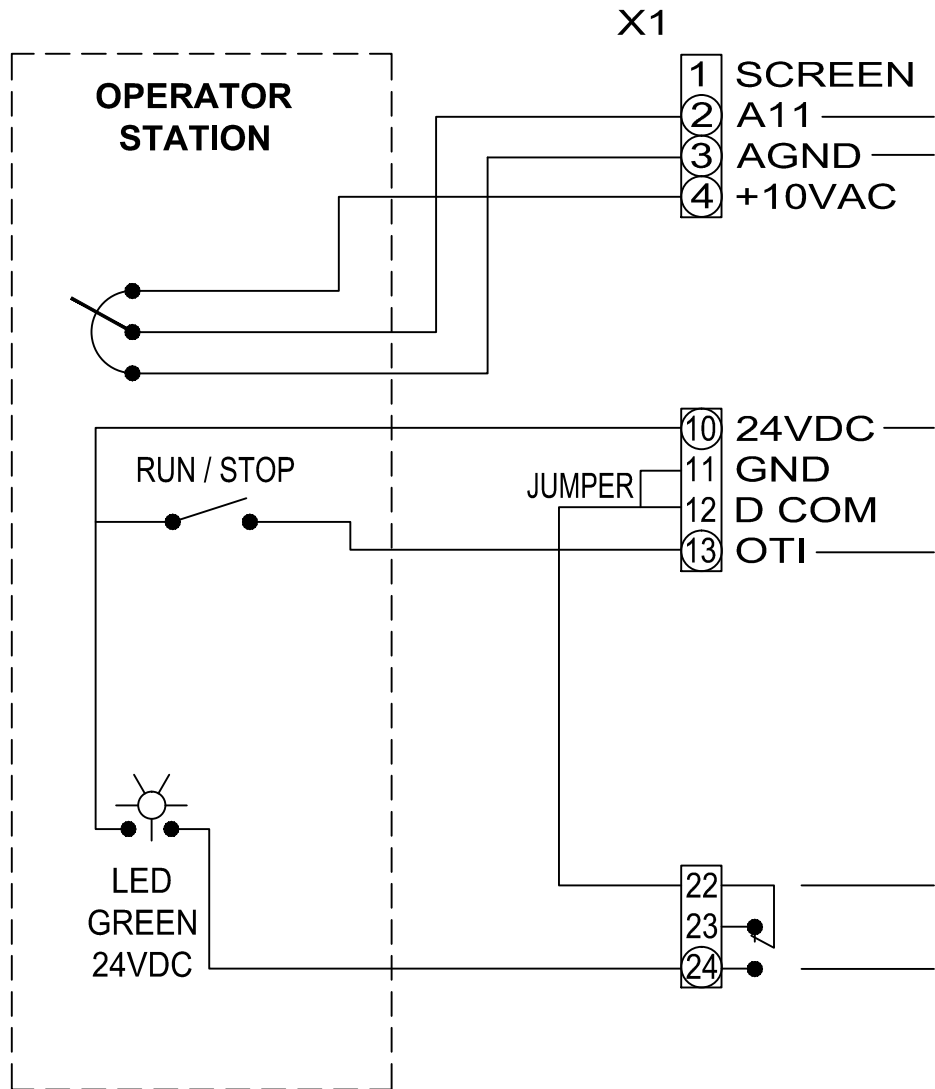
- 1" ELECTRICAL CONDUIT - FROM MOTOR
- 3/4" ELECTRICAL CONDUIT - FOR SPEED CONTROL
- 3/4" ELECTRICAL CONDUIT - EXTRA
- 2-1/2" BOOSTER RETURN
- 3" CIRCULATION SUCTION
- 1" CONDUIT FROM LIGHT
- 3" BOOSTER SUCTION
- 2" REFLECTION PIPE
- 2-1/2" BOOSTER RETURN
- 1-1/2" SKIMMER SUCTION
- 3/4" ELECTRICAL CONDUIT - FROM SPA SIDE CONTROLS



SIZE A	DWG TYPE Plumbing	DWG NO. LINDY	REV 0
SCALE 3/8" = 1'-0"		DATE 10/4/2006	SHEET PAGE 1 OF 1



2 PILOT DEVICE
NON-METALIC
ENCLOSURE



USE 20GA.
7-8 COND.
SHIELD WIRE



NESPA ENTERPRISES INC.

2800 Richter Ave. Suite C
Oroville, CA 95966
Office: (530) 534-9910
Fax: (530) 534-9915
E-Mail: sales@tiledspas.com
Web Site: www.tiledspas.com

SWIMSPA

SPA DETAIL

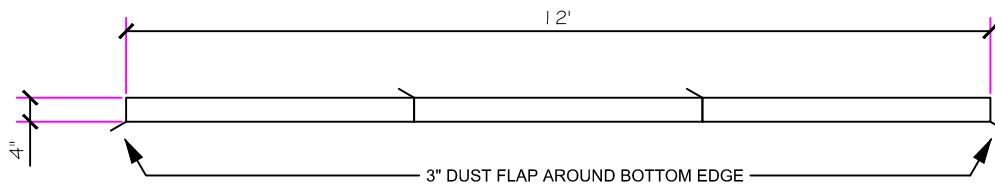
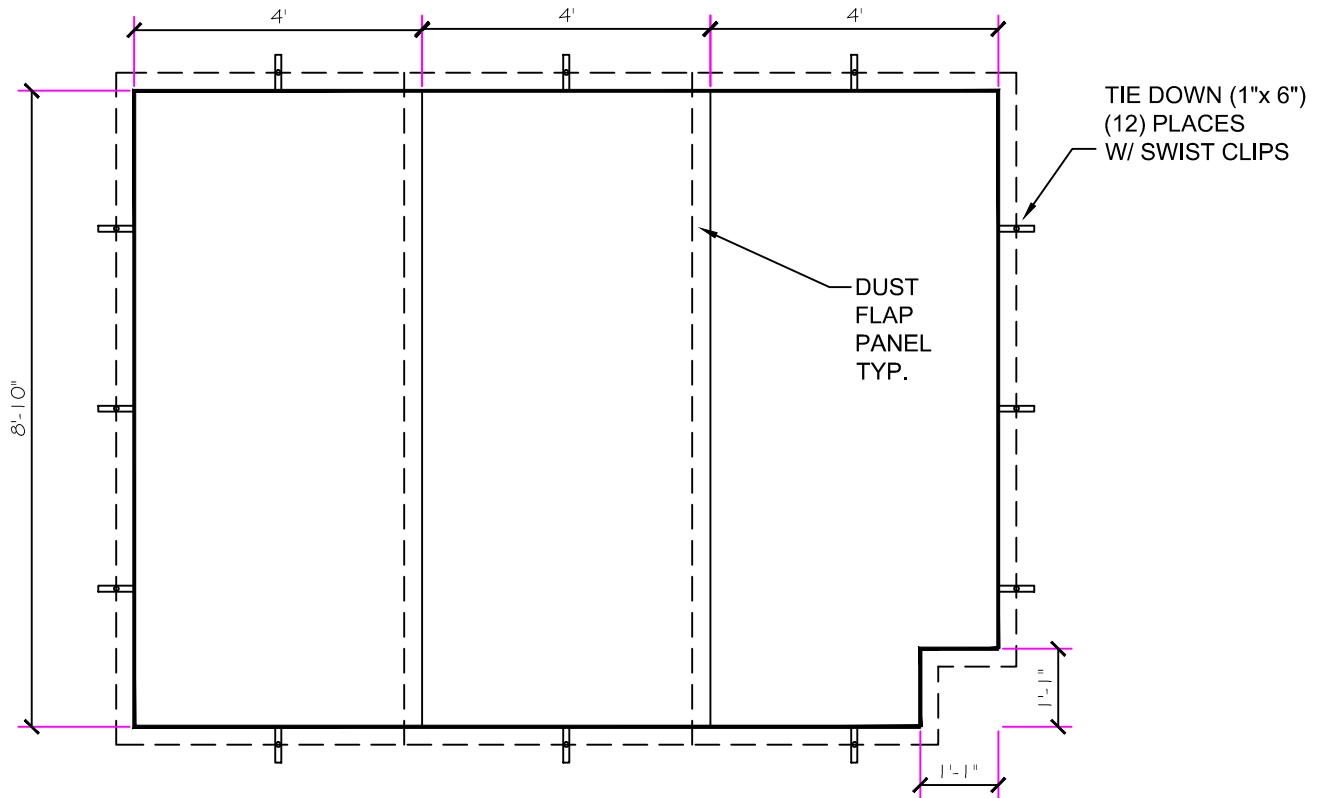
ALL DIMENSIONS SUBJECT TO 1/4" TOLERANCES

SCALE: 3/8" = 1'

DATE: 11/15/2007

JOB: LINDY

DR#: COVER



SPA COVER #303 DARK GREY - 3 PCS.



NESPA ENTERPRISES INC.

2800 Richter Ave. Suite C
Oroville, CA 95966
Office: (530) 534-9910
Fax: (530) 534-9915
E-Mail: sales@tiledspas.com
Web Site: www.tiledspas.com

SWIMSPA

SPA DETAIL

ALL DIMENSIONS SUBJECT TO 1/4" TOLERANCES

SCALE: 6" = 1'

DATE: 10/10/2007

JOB: LINDY

DR#: GRILL

CHAMFER
EDGES TYP.

