



**NESPA**  
TILED SPAS

# **Production Booklet**

**for**

## **DAYBREAK SPA**

2800 Richter Ave. Suite C, Oroville, CA 95965 • **voice:** (530)534-9910  
**fax:** (530)534-9915 • **email:** sales@tiledspas.com • **website:** www.tiledspas.com



## RECOMMENDED MAINTENANCE

### *Please Note:*

These are only recommended guidelines to care for a Nespa all tiled spa. Local codes may require additional procedures, therefore consult with a pool professional that is LA county Health Department certified for more information on local codes and requirements.

### ***SPA SURFACE***

Your spa tile is acid resistant and frost-proof. The Tile does not absorb germs or algae. Tile does not stain and is very easy to clean. Color does not fade or lose its luster. All grouts are epoxy based and are extremely durable. To remove scum line use soft nylon brush and small amounts of biodegradable soaps. Do not use abrasive brushes or chemicals.

### **MAINTENANCE**

#### **A. CHEMICALS:**

- 1) It is important to maintain a chlorine residual of 2 PPM in the spa. That residual can be provided by chlorine or bromine.
- 2) It is recommended to use Bromine or dichlor (granular) forms of chlorine. If bromine Tabs are used we suggest floating or inline dispenser.
- 3) Never use acid to lower Ph in the tile spa.
- 4) Never use trichlor chlorine (1" or 3") tablets in the Nespa spas.
- 5) Never place tablets in skimmer basket.

#### **B. DRAINING THE SPA:**

- 1) It is recommended to drain the spa at least once every 2 months depending on bath load and water clarity.
- 2) The spa should be drained through valve exiting re-circulation pump in the spa equipment room or sump pump.
- 3) Note: Use caution to drain spa in the winter months or rainy season when water table is at its highest. It is possible for the spa to float due to hydraulic pressure from surrounding water table. We advise that you consult with your local spa specialist prior to draining the spa.

#### **C. SPA EQUIPMENT:**

- 1) Clean filter cartridge at least once every month, or when needed; i.e., if water clarity does not improve after several days.
- 2) Keep area free and clear from leaves and debris build-up.
- 3) Keep area free and clear from flooding.

#### **D. SPA LIGHT:**

- 1) Spa light has to be on GFCI circuit. It is controlled at spa side with ON/OFF.

#### **E. TILE SERVICING:**

- 1) Contact manufacture when servicing tile or grout. @ (530) 534-9910

### SPECIFICATIONS

SHELL WEIGHT:	2700 LBS.
WATER WEIGHT:	11986 LBS.
TOTAL SHELL & WATER WEIGHT:	14685.7 LBS.
WATER VOLUME:	192.2 Cu.Ft.
WATER GALLONS:	1438 GAL.
SURFACE AREA:	78.8 SQ. FT.
ICC ES LISTED #:	PMG-1161

NESPA ENTERPRISES, Inc.



ICC ES Listed  
PMG-1161

WATERPROOF SKID SUPPORT STRUCTURE ATTACHED TO SPA AT NESPA FACTORY

\*SKIDS SUPPLIED BY NESPA

#### LIGHT NICHE

LED LV LIGHT, 12 VOLT, U.L. APPROVED

#### MAIN DRAIN



AquaStar 32CDF/LR, 32" Channel Drain, Approved Max Flow Rate: Floor = 316 GPM @ 3.9 fps, Wall = 208 GPM @ 2.8 fps, Complies w/ ANSI / ASME A112.19.8 & NSF / ANSI 16-2011

#### MAIN DRAIN SUMP



Nespa AquaStar Approved Sump IAPMO Approval # SP4900

#### SIDEWALL SUCTION

6" Round Hockey Puck AquaStar 6PH/Axxx Sumpless Suction Outlet Floor 177 GPM Wall 122 GPM Complies w/ ASME A112.19.8 & ANSI / APSP-16 for anti-hair and body entrapment Suction outlets comply with ANSI / APSP-7



#### SKIMMER

FRONT ACCESS SKIMMER, NSF APPROVED

#### JET

HYDRO INLETS 1-1/2" WATER - 1-1/2" AIR HYDROAIR #10-5100 COMPLIES W/ ANSI CODE ASME A112.19.8-07 U.L. APPROVED



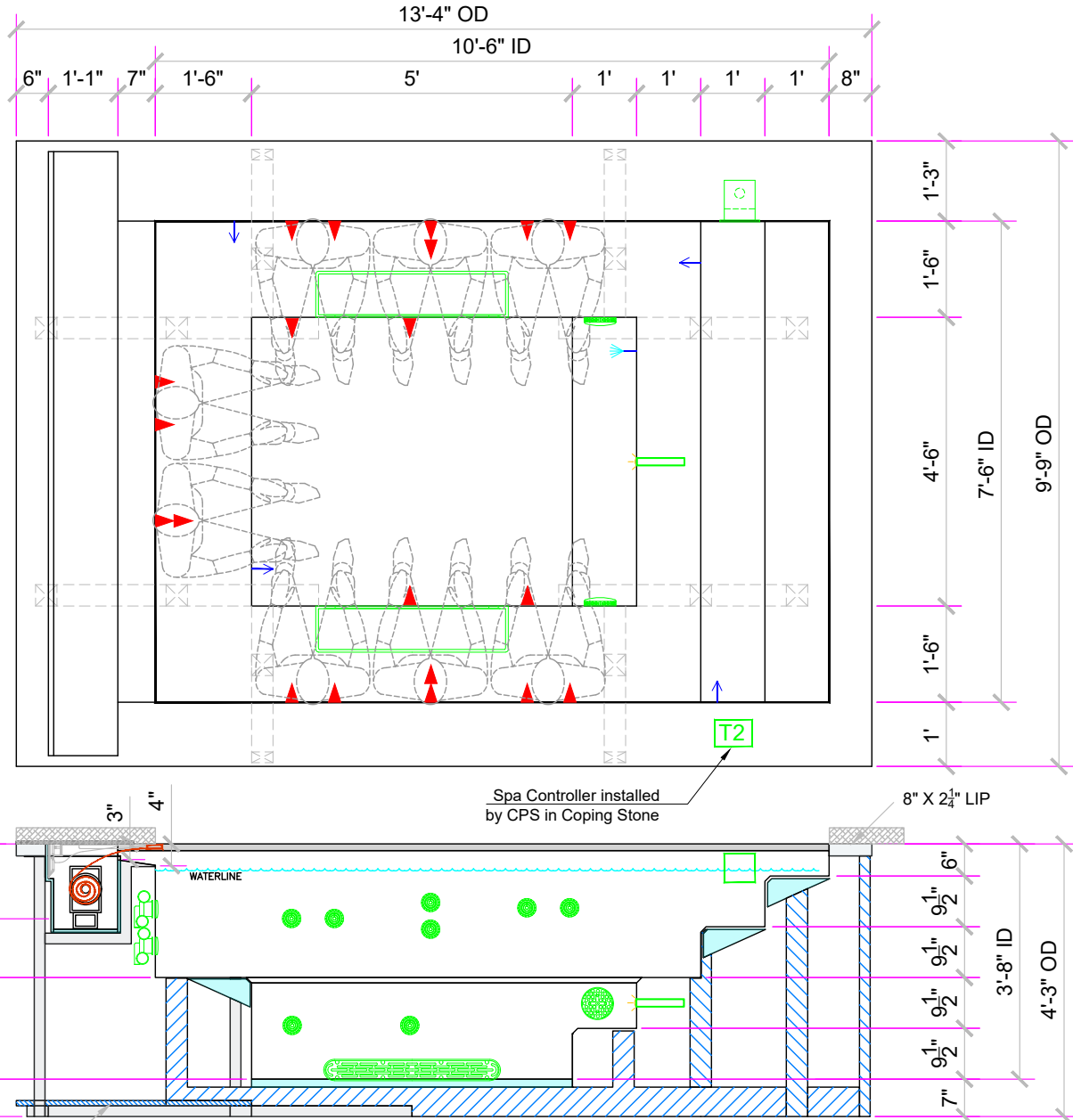
#### RETURN

INLET FITTINGS 1-1/2" WALL TYPE W/ EYEBALL HYDROAIR #10-3500 COMPLIES W/ ANSI CODE ASME A112.19.8-07 U.L. APPROVED



#### FILL

INLET FITTINGS 1-1/2" WALL TYPE W/ EYEBALL HYDROAIR #10-3500 COMPLIES W/ ANSI CODE ASME A112.19.8-07 U.L. APPROVED



SPA Equipment:  
3 pump Balboa System here

Spa Controller installed by CPS in Coping Stone

8" X 2 1/4" LIP

**Progress Print**  
Not for Construction

**NESPA ENTERPRISES INC.**

2800 Richter Ave. Ste. C Oroville, CA 95966  
Office: (530) 534-9910 Fax: (530) 534-9915  
E-Mail: jim@tiledspas.com Web Site: www.tiledspas.com



SIZE A	LAYOUT	PLAN	DWG	880 DAYBREAK	JOB# 59	REV 0
SCALE: 3/8" = 1'			DATE: 3/14/2019	SHEET 1 OF 6		

#1 - FIELD TILE: DalTile - AR07 Feature Beige - 12" X 24"

#2 - WATERLINE (optional): \_\_\_\_\_

#3 - BENCH & STEP EDGES (optional): \_\_\_\_\_

#4 - TILED LIP (optional): \_\_\_\_\_

Date: \_\_\_\_\_

Approval: \_\_\_\_\_

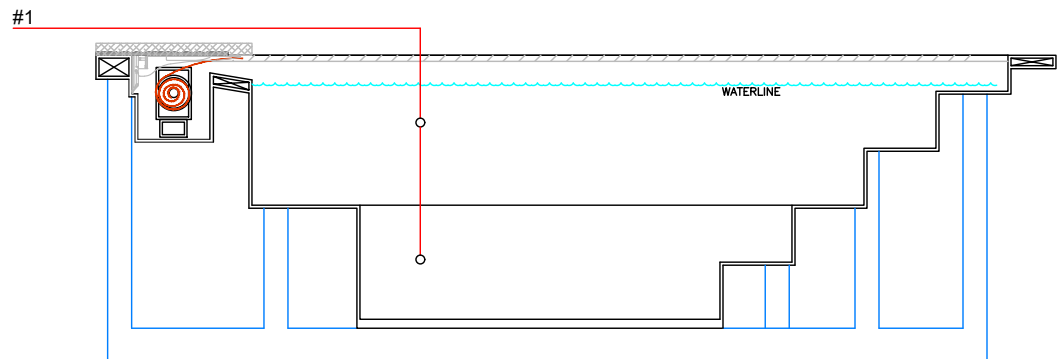
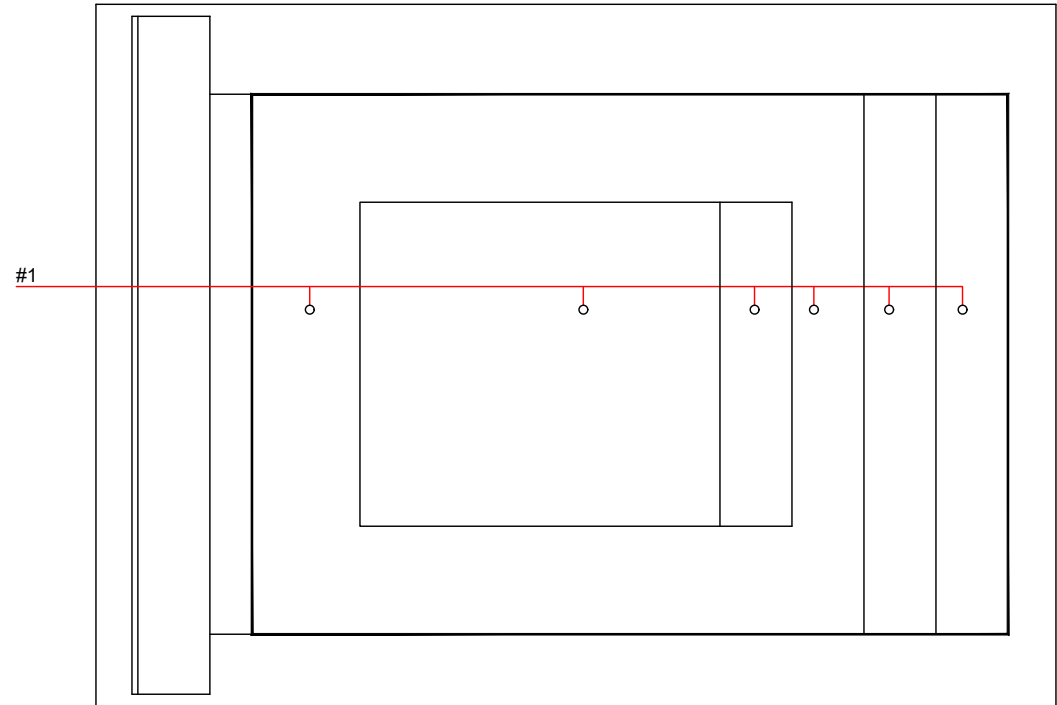
#1 - GROUT: \_\_\_\_\_

#2 - GROUT: \_\_\_\_\_

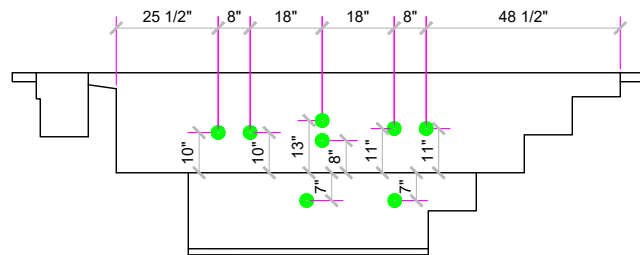
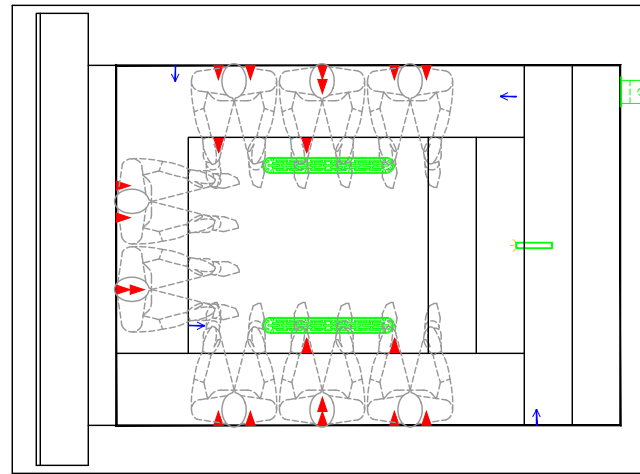
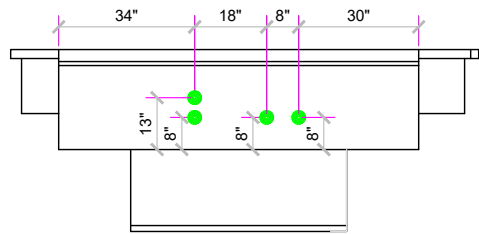
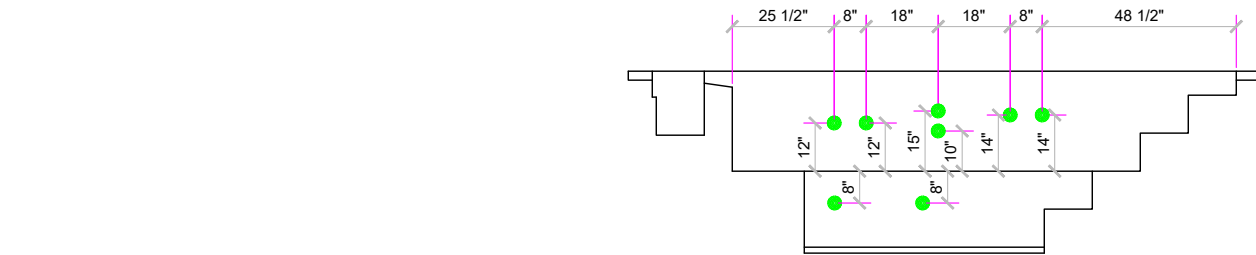
#3 - GROUT: \_\_\_\_\_



DalTile - AR07 Feature Beige - 12" X 24"







**Progress Print**  
Not for Construction

**NESPA ENTERPRISES INC.**  
2800 Richter Ave. Ste. C Oroville, CA 95966  
Office: (530) 534-9910 Fax: (530) 534-9915  
E-Mail: [jim@tiledspas.com](mailto:jim@tiledspas.com) Web Site: [www.tiledspas.com](http://www.tiledspas.com)



SIZE  
A

LAYOUT

JET DETAIL

DWG

880 DAYBREAK

JOB#  
59

REV  
0

SCALE:

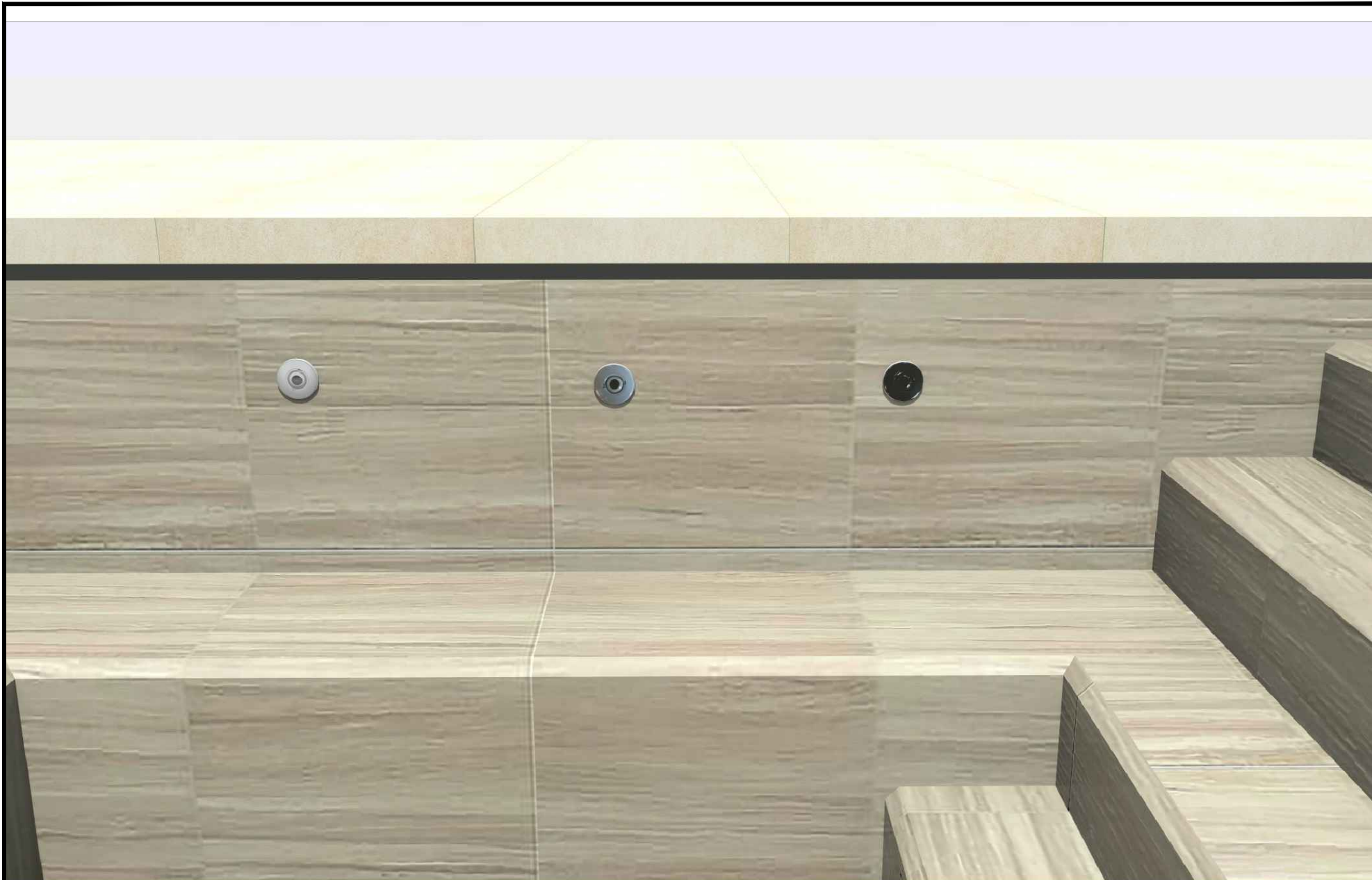
1/4" = 1'

DATE:

3/14/2019

SHEET

4 OF 6



**Progress Print**  
 Not for Construction

**NESPA ENTERPRISES INC.**  
 2800 Richter Ave. Ste. C Oroville, CA 95966  
 Office: (530) 534-9910 Fax: (530) 534-9915  
 E-Mail: [jim@tiledspas.com](mailto:jim@tiledspas.com) Web Site: [www.tiledspas.com](http://www.tiledspas.com)



SIZE A	LAYOUT	JETS	DWG	880 DAYBREAK	JOB# 59	REV 0
			SCALE: N/A	DATE: 3/14/2019	SHEET 5 OF 6	



**Progress Print**  
 Not for Construction

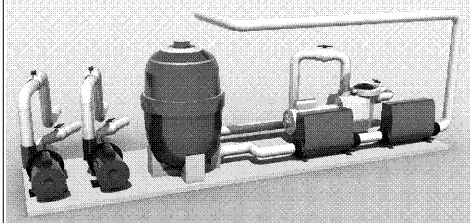
**NESPA ENTERPRISES INC.**  
 2800 Richter Ave. Ste. C Oroville, CA 95966  
 Office: (530) 534-9910 Fax: (530) 534-9915  
 E-Mail: [jim@tiledspas.com](mailto:jim@tiledspas.com) Web Site: [www.tiledspas.com](http://www.tiledspas.com)



SIZE A	LAYOUT Render	DWG 880 DAYBREAK	JOB# 59	REV 0
SCALE: N/A		DATE: 3/14/2019	SHEET 6 OF 6	



**NESPA  
B20311AOP Spa  
Power Pack**



**Description:**

- Nespa B20311AOP Spa Power Pack is a spa support equipment assembly. Composed of circulation pump, cartridge filter, 5.5 KW heater, AUX 5.5KW heater, 2 Booster Jet Pumps, Ozone Sanitizer, LED Multi color light and Touch screen control panel.

**MODEL:** NESPA B20311AOP Spa Power Pack **SERIAL:** NSC-B20311O-2018

**CODE:** **VOLTS:** 240V / 60HZ / 4 Wire **AMPS:** 40A

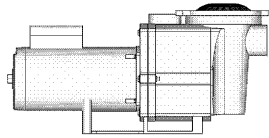
**Power Requirements:**

**240VAC, 60HZ, 40A,**

**Class A GFCI-protected service (Circuit Breaker Rating = 50A max.)**

**4 Wires (Hot-Line 1, Hot-Line 2, Neutral, Ground)**

**FILTER PUMP -**



PENTAIR - INTELLI-FLO i1

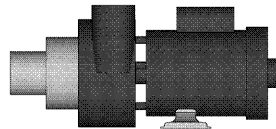
MODEL # - 011059 VFD i1

RATED - 340036 - 1.5 HP

VOLTAGE - 230

Full Load AMPS: 5.4 A

**BOOSTER PUMPS - (2)**



WATERWAY EXECUTIVE - 5HP

MODEL # - 3712021-13

RATED - 5HP

VOLTAGE - 230

Full Load AMPS: 13.0 A

**FILTER**



STA-RITE - System 2 - Modular Media Filters - PLM Series

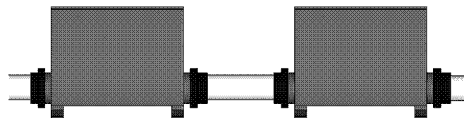
MODEL # - PLM 150

Filter Area - 150 Sq Ft

Flow Rated GPM - 56-150 Sq Ft

Turnover Capacity in 1 HR - 4,000 Gallons

**HEATER**



BALBOA Heater - MODEL # - BP501G1 - PART # - 56487-04 120/240V - 60Hz - 16/48A

BALBOA Heater Slave - MODEL # - RH-Slaves-CA-5.5K

PART # 55986

**OZONE**



DEL AOP 25

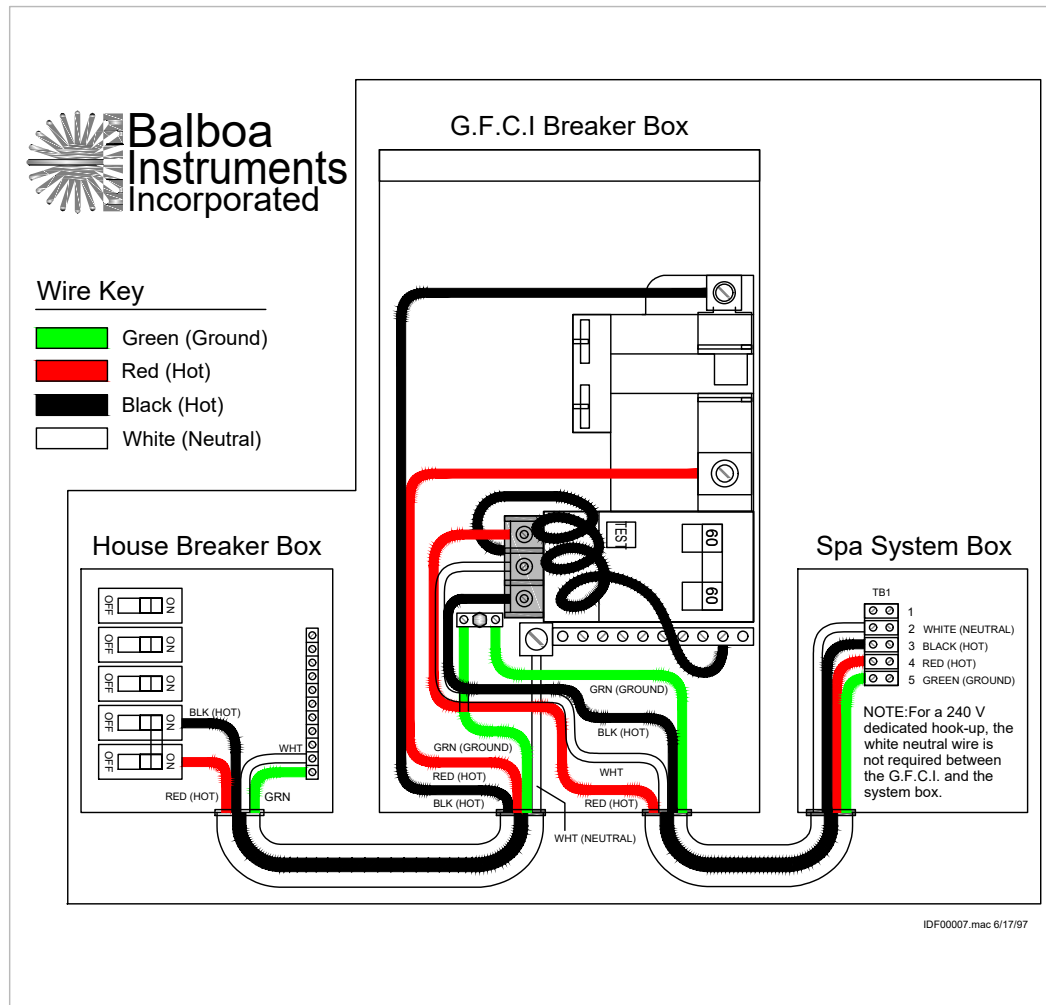
Max Flow Rate = 20GPM

VOLTAGE = 110/240VAC - 50/60 HZ - 0.3 Amps

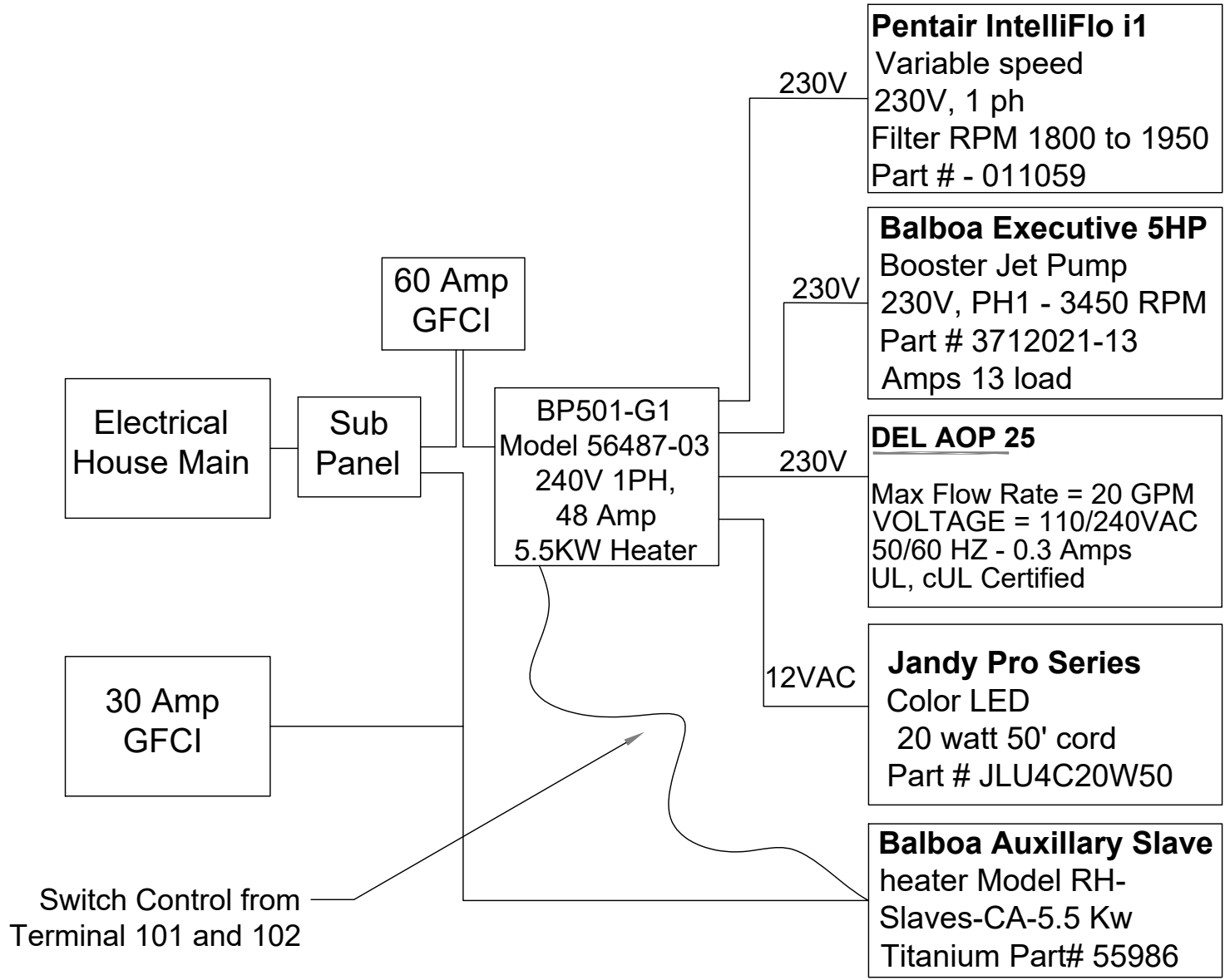
UL, cUL Certified

# WIRING SCHEMATIC - 240 VOLT SPA HOOK-UP

Primary Control Pack- Connect to the Balboa BP501G1 = 5.5KW heater  
 For Auxiliary Heater- Install separate dedicated 30 AMP GFCI

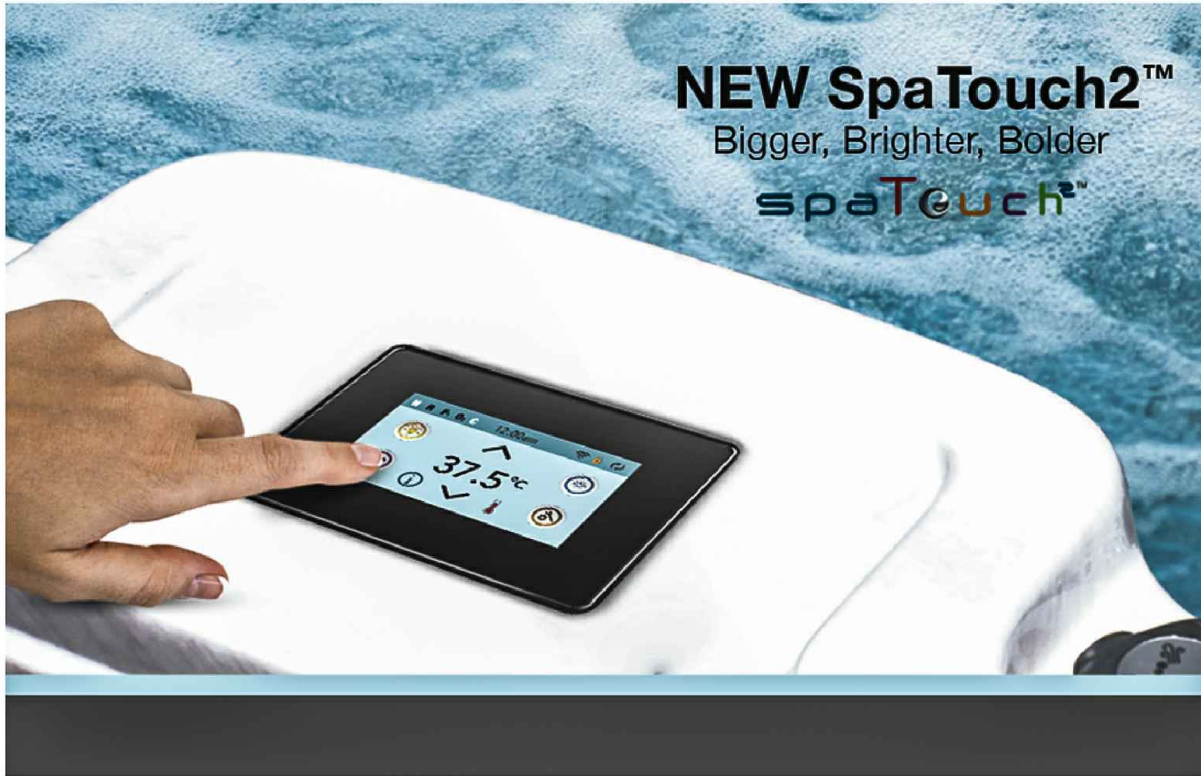


\*Actual wiring of GFCI will vary by manufacturer of GFCI. The GFCI shown is a Square D. Improper wiring of GFCI may result in permanent damage to spa system box. Repair / replacement of spa system box is not covered under warranty when damage results from improper wiring.



Home/Spa Products/SpaTouch2

## spatouch2



### Style that you'll adore



**Fully Functional Design**

Transform your user experience with our resistive touchscreen panel that looks and feels like a glass display



**Award Winning Design**

Our innovative technology can be customized to fit your brand



**Bigger, Brighter, Bolder Menu**

The NEW bigger, brighter and bolder menu



FEATURES

Simple & Powerful

Modern & Minimal

Powerful Integrations





Transform your user experience with our resistive touchscreen panel that looks and feels like a glass display



The minimal design uses modern technology combined with high quality impact-resistant materials



Compatible with all of our BP Control Systems

**Customizable**



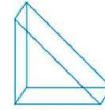
Our innovative technology can be customized to fit your brand

**Impervious to Environmental Conditions**



Such as water splashes or contamination

**Multiple Shapes**



Multiple shapes available

**USER INTERFACE**

**H**  
High temperature range

**R**  
Ready mode

**F<sub>1</sub>**  
Filter cycle 1 running

**O<sub>3</sub>**  
Ozone running

**C**  
Clean-up cycle

Information **i**

Heat



Wi-Fi signal indicator

Lock

Invert screen

Jets

Lights

Music

Settings

**DIFFERENT PANEL SHAPES AVAILABLE**

**NESPA ENTERPRISES INC.**

2800 Richter Ave. Ste. C Oroville, CA 95966

Office: (530) 534-9910

Fax: (530) 534-9915

E-Mail: [jim@tiledspas.com](mailto:jim@tiledspas.com) Web Site: [www.tiledspas.com](http://www.tiledspas.com)



SIZE LAYOUT  
**A Spa Touch (2)**

DWG **880 DAYBREAK**

JOB# **0** REV **0**

SCALE: **N/A**

DATE: **1/25/2019**

SHEET **2 OF 4**



SpaTouch2™ Trapezoid

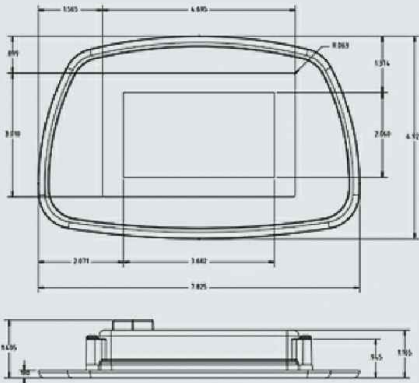


SpaTouch2™

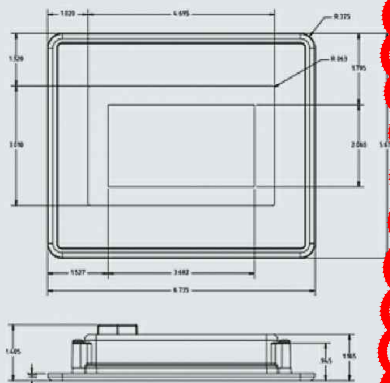


SpaTouch2T™

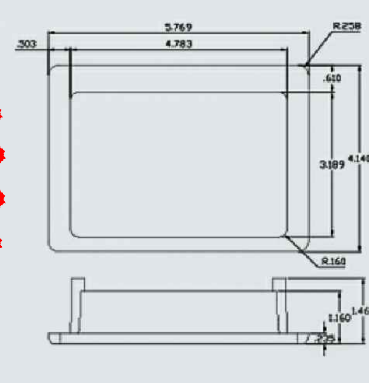
SpaTouch2™ Trapezoid Dimensions



SpaTouch2™ Sq. Dimensions



SpaTouch2T™ Dimensions



DOWNLOADS

[Downloads \(Compatible with the SpaTouch1™ | SpaTouch2™ | SpaTouch2T™\)](#)

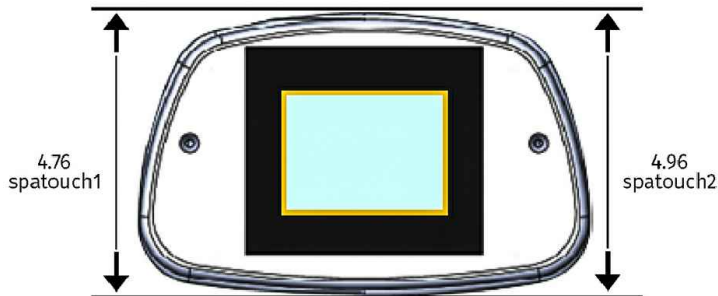
- » [New spaTouch2™ Sell Sheet](#)
- » [SpaTouch2™ User Guide \(42281\\_A\)](#)
- » [SpaTouch2™ User Guide \(42281\\_French\)](#)
- » [SpaTouch2™ User Guide \(42281\\_German\)](#)
- » [SpaTouch2™ User Guide \(42281\\_Spanish\)](#)
- » [SpaTouch2™ User Guide \(42281\\_Italian\)](#)
- » [SpaTouch2™ User Guide \(42281\\_Swedish\)](#)

Will Use:  
SpaTouch 2T

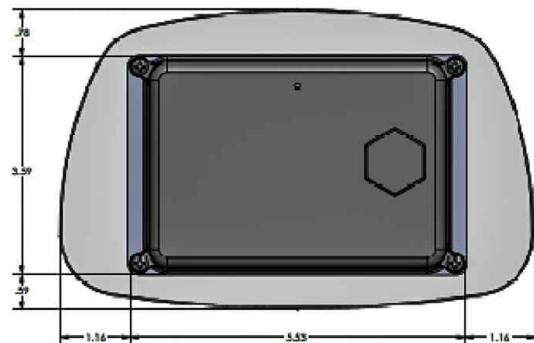
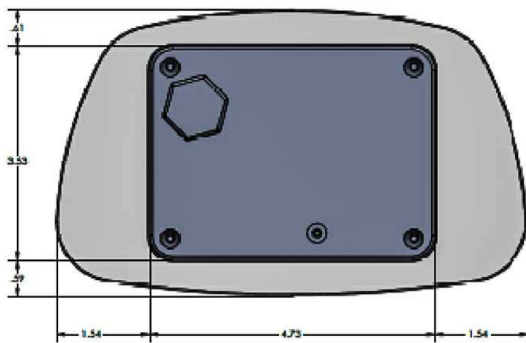


# spaTouch<sup>2</sup>™

NOW AVAILABLE!



The SpaTouch2 is 2" taller than the SpaTouch1  
Same Width - 0.2" taller (.5 cm)



Cutout: .8" wider (2.2 cm) | Same height

DIFFERENT SHAPES AVAILABLE!



SpaTouch2 0217  
©2017 Balboa Water Group. All rights reserved. Your Single Source Solution.  
1382 Bell Avenue | Tustin, CA 92780 | p 714.384.0382 | www.balboawatergroup.com  
We reserve the right to change technical data without further notice.

**BALBOA.**  
water group

# STANDARD NESPA IN-GROUND INSTALLATION *INSTRUCTIONS* **SET-UP AND EXCAVATION**

**Prerequisites:** Before installing your Nespa spa. You may be required to acquire a permit from your local State, County, and City building dept and or Health department. (Commercial jobs need Health Dept. Approval). Your spa installation must comply with the most current codes. (**Uniform Swimming Pool, Spas & Hot Tub Code 2006 (USPC 2006)**).

**Spa drawings:** Request from Nespa a current spa specific construction detail, plan and section, spa plumbing detail.

**Delivery Access:** Clearly determine the method of getting the spa to jobsite and into the hole. This may require the use of a crane, forklift, hoist, backhoe and/or manpower etc.

- 1) The following instructions are general guidelines and may not apply to your specific jobsite conditions. When excavating for your spa remember to provide for plumbing and light connection clearances. In order to determine how to excavate for your spa or swim spa, measure spas outside dimension (O.D.) and add minimum 3" to all sides. This 3" clearance is to accommodate jet and suction plumbing. This 3" clearance can change or be reduced upon request. Note: skimmer location, this area may have to be larger than 3", if commercial 22".
- 2) **Freeze Climates-** If the spa is placed into a vault (typical of freeze climates) a standard 18" or more of clearance minimum from spa perimeter should be provided. This dead air space is for possible future access to spa plumbing in case of a freeze. Area drain is mandatory. **Ask your local installer** for his experienced opinion. Do not hesitate to call us because we want to be sure that your installation progresses as smoothly as possible. If you have questions call us. (888) 479-4677.
- 2) **Hole depth** is determined by spa's outside height dimension. This height may vary depending if spa has skids or no skids. The spa lip may be finished or non-finished. How is the perimeter deck elevation transitioning to the spa? Focus on the finish surrounding deck elevations, thickness of the finish material on spa upper horizontal lip, equal to lip or under the spa lip. This material can be tile, stone, concrete or brick.
- 3) **Preplumb** the spa before it goes into the hole. If there are needs for electrical, bonding or control conduits run them as well before dropping in hole. Connect bond wire to niche would be best.
- 4) **Spa should sit on level 3 ½" thick reinforced concrete pad. Sweep debris off pad prior to dropping in hole.**
- 5) **Install spa** into the hole on top of concrete pad. Use the Eye bolts provided for crane, forklift etc. rigging. Do not hold onto pipes. Use caution with suction and jet plumbing when lowering into hole. **DO NOT STRESS FITTINGS!** Fill Spa with water and check for leaks prior to backfill.



- 6) **Check site reference** points for proper spa positioning (i.e., squaring to house, garage, etc.).
- 7) **Shim to level spa.** Shim with non-compression able material. Re square to house, or ref. point.
- 8) **Dry pack** with cement the gaps that have been created when shimming spa level.
- 9) **Connect pipes to tees** if spa is preplumb. Installers properly support your new plumbing from stressing spas preplumb fittings. After electrical conduit and bond wire is connected to light niche, water test spa before back filling with sand.  
**NOTE: All Nespa products are water tested prior to leaving factory.**

### **ELECTRICAL:**

- 1) All electrical connections to spa or equipment should comply with the most recent national electrical code (NEC), state and local codes.
- 2) Connect electrical conduit to light niche. This work should be done or reviewed by a licensed electrician.
- 3) To install spa light you will need to include inside the PVC conduit to the light niche a solid #8 coated copper wire. (If you are use brass conduit, internal bond wire is not required.) This bond wire should be pulled with the light cord at the same time. This bond wire needs to be attached to the internal bonding lug of the light niche. An approved encapsulate should be applied to bond wire connection in niche.
- 4) An external #8 copper wire shall be connected to the external bonding lug on the rear of the light niche. This copper wire can then be used for additional bonding requirements (i.e., handrails or any other metallic object within 5' of the spa.

### **PLUMBING:**

- 1) **When plumbing a Nespa it is important to properly size the plumbing. We highly recommend that you follow the pump manufacturer's pipe sizing requirements and Uniform Swimming Pool, Spas & Hot Tub Code 2006 ( USPC 2006). This code book is available at [www.IAPMO.org](http://www.IAPMO.org) or (909) 472 4100.**
- 2) The jet air venturi should be a Hartford loop design adjacent to spa shell and air entry point can be located next to spa or remotely at equipment.
- 3) Fill spa with water and test the system for leaks PRIOR to backfilling with sand.

### **SAND BACK FILL:**

- 1) **With water in spa, back-fill around spa perimeter with dry plaster sand and wet wash with hydraulic attachment to hose. Let set for one hour and hydraulic dry again. Be sure water level in spa is at the highest level. Any questions please call us. ( 888) 479-4677.**
- 2) **If spa is free standing on elevated deck or a structure, it is important to fill spa with water and load area prior to installing coping or perimeter decking. If spa is installed in a vault situation a area drain is needed.**

**NESPA ENTERPRISES INC.**

2800 Richter Ave. Suite E

Oroville, CA 95966

Office: (888) 479-4677 Fax: (530) 534-9915

E-Mail: nespa@pacbell.net www.tiledspas.com

**IN-GROUND**

**INSTALLATION**

\*ALL DIMENSIONS SUBJECT TO 1/4" TOLERANCES\*

SCALE: 1/2" = 1'-0"

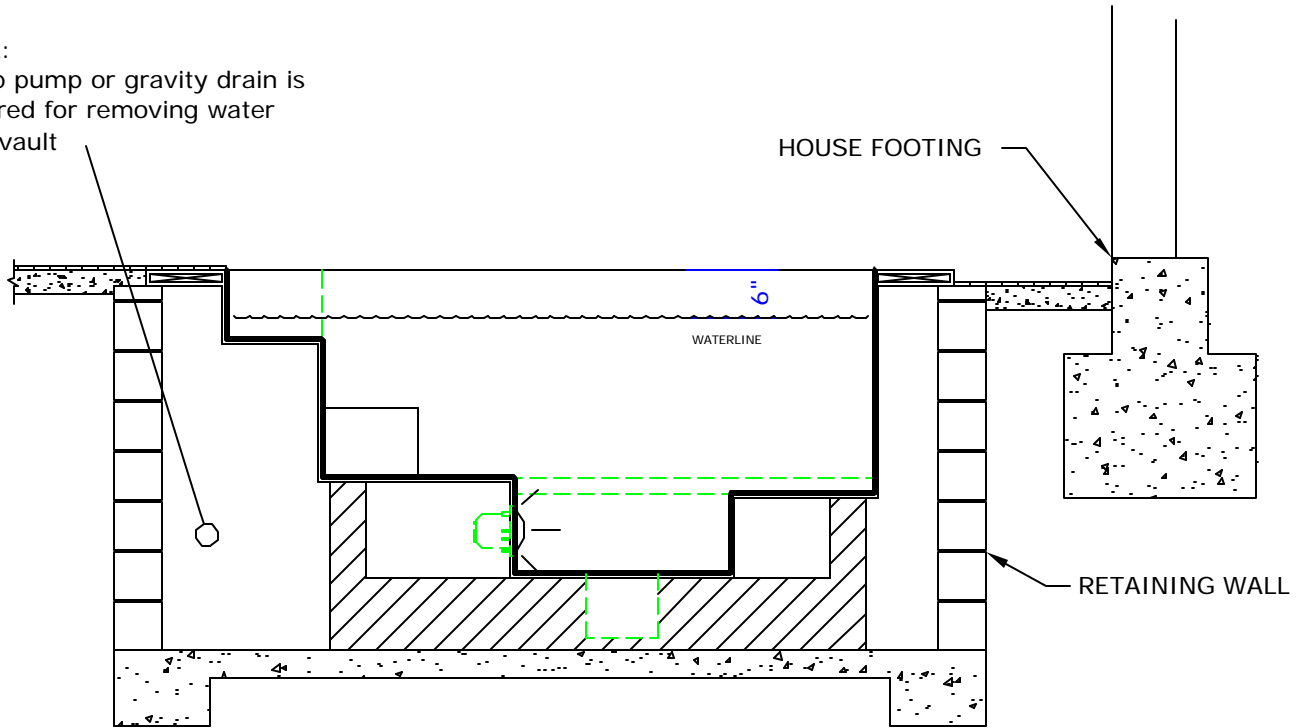
DATE: 3/27/02

JOB : STANDARD INSTALL

DW #: SI-1, SI-2

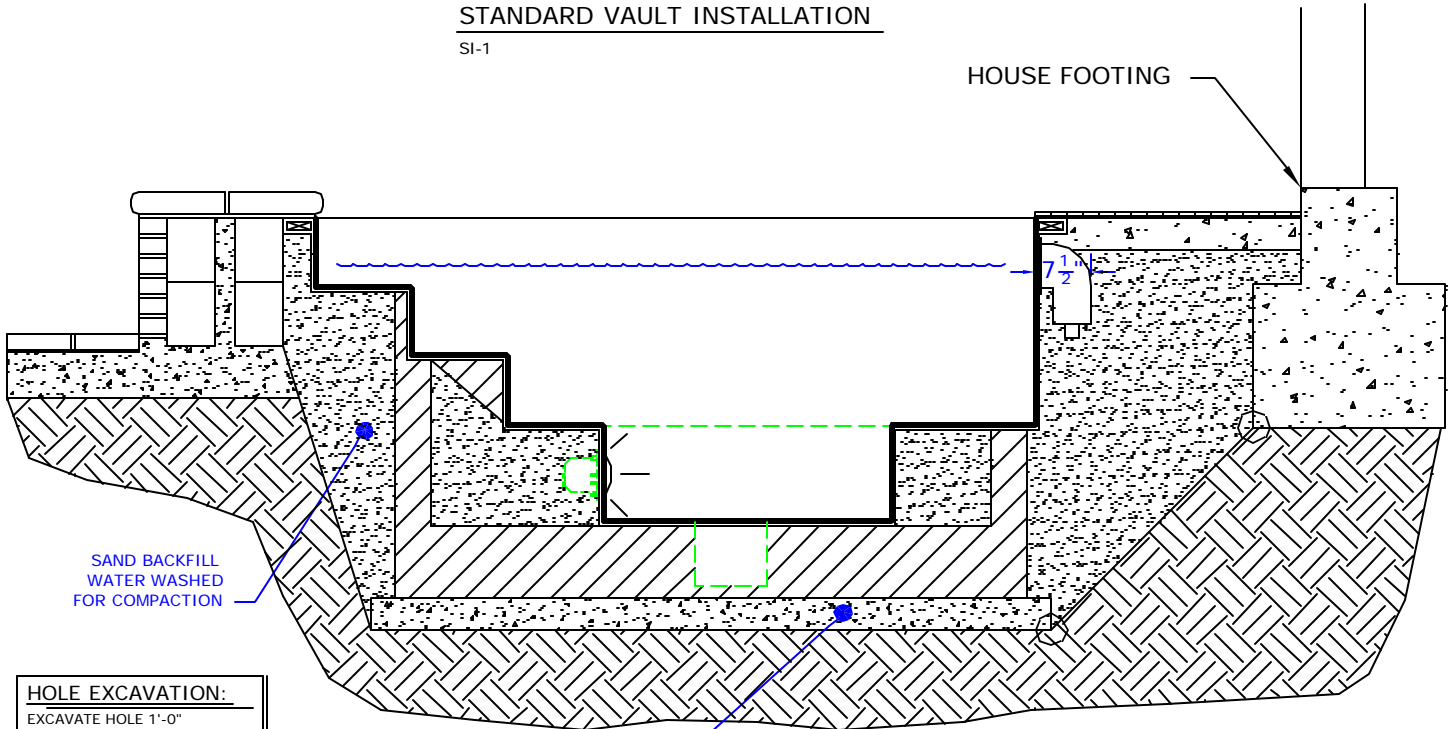
**NOTE:**

Sump pump or gravity drain is required for removing water from vault



**STANDARD VAULT INSTALLATION**

SI-1



**HOLE EXCAVATION:**  
EXCAVATE HOLE 1'-0"  
LARGER THAN THE OUTSIDE  
DIAMETER (OD) OF SPA

4" CONCRETE SLAB  
REINFORCED WITH  
#10 MESH

**STANDARD INGROUND INSTALLATION**

SI-2

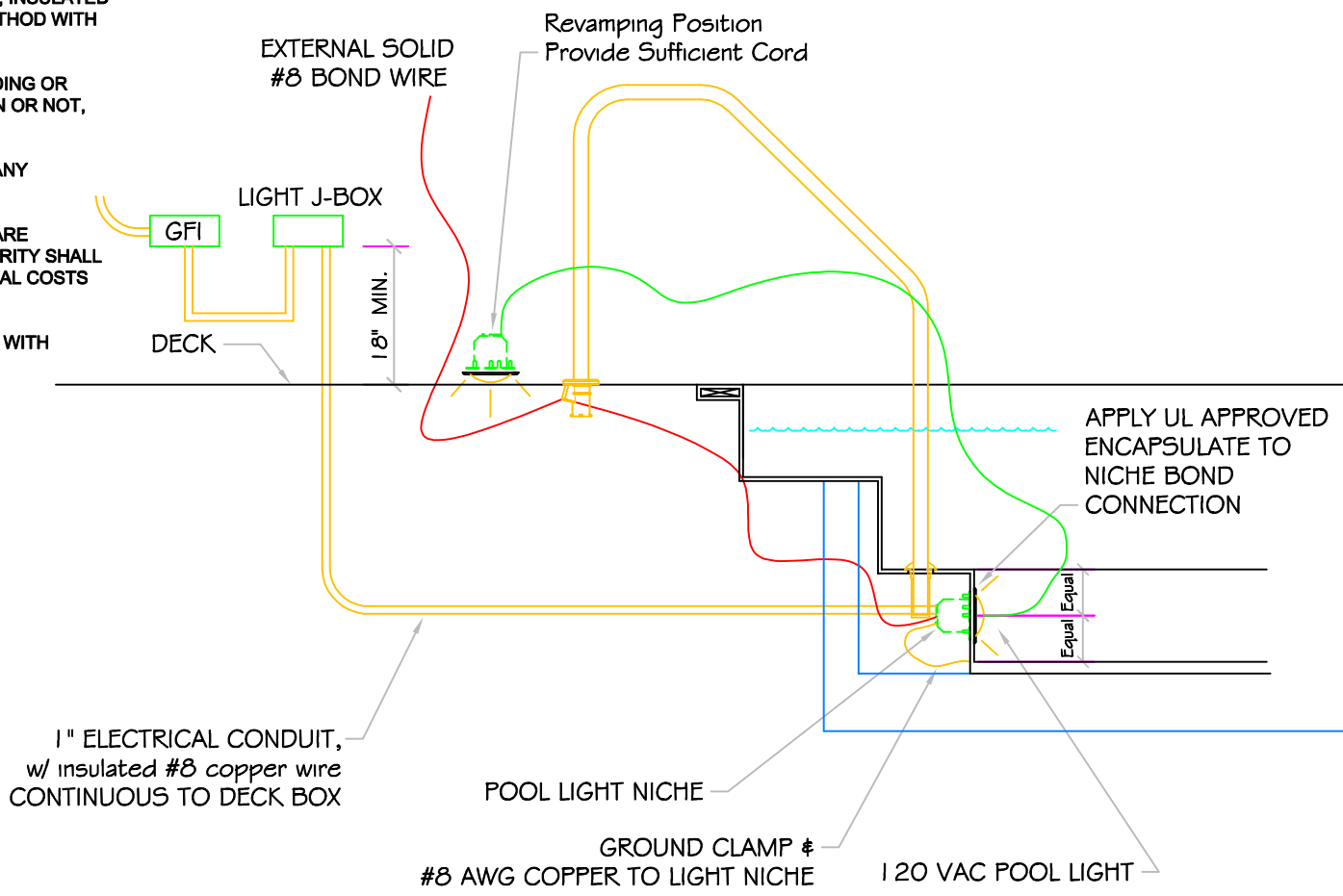
**NOTE:**

Footing can not surcharge spa.  
Slope from bottom of slab to  
nearest corner of house footing  
must not exceed 1" = 1".

# POOL BONDING REQUIREMENTS:

1. THE FOLLOWING PARTS SHALL BE BONDED TOGETHER AND CONNECTED TO THE COMMON BONDING GRID.
  - A. ALL THE METALLIC PARTS OF THE POOL STRUCTURE INCLUDING COPING STONES, DECK, PERMANENT PLAY STRUCTURES, PERMANENT EXERCISE STRUCTURES.
  - B. ALL METAL FITTINGS WITHIN OR ATTACHED TO THE POOL STRUCTURE
  - C. METAL PARTS ASSOCIATED WITH THE POOL WATER CIRCULATING SYSTEM, INCLUDING PUMPS, FILTERS, AND HEATERS.
  - D. METAL PARTS ASSOCIATED WITH POOL COVERS
  - E. METAL SHEATHED CABLES AND RACEWAYS, METAL PIPING AND ALL FIXED METAL PARTS WITHIN 5 FEET HORIZONTALLY OF INSIDE WALLS OF POOL AND WITHIN 12 FEET ABOVE MAXIMUM WATER LEVEL OF POOL.
  - F. METAL PARTS ASSOCIATED WITH OBSERVATION STANDS, TOWERS, PLATFORMS, AND DIVING STRUCTURES.
2. BONDING CONDUCTORS SHALL BE MINIMUM #8 SOLID COPPER, INSULATED E.C. SHALL COORDINATE APPROVED CONNECTOR TYPE AND METHOD WITH LOCAL ELECTRICAL AND/ OR POOL INSPECTOR.
3. SPECIFIC MANUFACTURER'S INSTRUCTIONS REGARDING BONDING OR GROUNDING OF POOL EQUIPMENT, WHETHER INDICATED HEREIN OR NOT, SHALL BE STRICTLY FOLLOWED.
4. THE COMMON BONDING GRID SHALL NOT BE CONNECTED TO ANY ELECTRICAL DISTRIBUTION EQUIPMENT.
5. ANY PARTS IN ADDITION TO THOSE DESCRIBED HEREIN THAT ARE INDICATED BY POOL CONTRACTOR OR LOCAL INSPECTION AUTHORITY SHALL BE BONDED TO THE COMMON BONDING GRID WITH NO ADDITIONAL COSTS INCURRED BY THE OWNER.
6. THE ELECTRICAL CONTRACTOR SHALL COORDINATE BONDING WITH GENERAL CONTRACTOR.

# LIGHT DETAIL



\*ALL DIMENSIONS SUBJECT TO 1/4" TOLERANCES\*

These drawings, concepts, and details contained herein are the original proprietary designs of NESPA ENTERPRISES, developed over many years of experience in the pool and spa industry and as such are protected by the copyright laws of the United States Government. Reproduction of any of the above without written permission to do so by NESPA ENTERPRISES, is illegal.

**NESPA ENTERPRISES INC.**  
 2800 Richter Ave. Ste. C Oroville, CA 95966  
 Office: (530) 534-9910 Fax: (530) 534-9915  
 E-Mail: [sales@tiledspas.com](mailto:sales@tiledspas.com) Web Site: [www.tiledspas.com](http://www.tiledspas.com)



SIZE A	DWG NAME DETAILS	DWG TYPE Detail
SCALE 1/2" = 1'	DATE 7/24/2008	SHEET PAGE 1 OF 1

## **NESPA ENTERPRISES, Inc. LIMITED WARRANTY**

**This LIMITED WARRANTY covering NESPA products is extended to the ORIGINAL PURCHASER-USER BY NESPA ENTERPRISES Inc.(NESPA), 2800 Richter Ave. Unit C California 95966.**

**NESPA products are thoroughly inspected and tested prior to factory shipment. NESPA warrants to the ORIGINAL PURCHASER-USER that NESPA Spas and Swim Spas will be free of defect in workmanship, accessories and parts, provided said accessories and parts were manufactured by NESPA. NESPA, under this LIMITED WARRANTY, warrants only that its Spas and Swim Spas shall be structurally sound, shall retain their shape, and shall retain water for the warranty period. NESPA warrants the adhesion of tile to fiberglass for a period of three (3) years and structural soundness for ten (10) years. NESPA warrants epoxy grout adhesion for a period of three years. If any such defects appear and are reported within the warranty period, NESPA shall repair or replace such defective parts without charge if an inspection proves the claim.**

**The provisions of the LIMITED WARRANTY shall not apply to tile cracked, split, chipped or damaged after the product has left the factory, nor damage to tile caused by freezing nor to damage, defect, malfunction or failure to conform with the above warranty provisions where the damage, defect, malfunction or failure to conform was caused during shipment or by distributor or by unreasonable use by ORIGINAL PURCHASER-USER including improper water balance and improper sand pack or support.**

**This LIMITED WARRANTY shall not apply to any plumbing, equipment, or installation of spas and Swim Spas and shall not apply to any alterations made to or upon NESPA products except alterations made by NESPA employees or NESPA authorized representatives.**

**This LIMITED WARRANTY is expressly in lieu of all other warranties expressed or implied including the warranties of merchantability and fitness for use and all other obligations or liabilities on NESPA'S part, and NESPA neither assumes nor authorizes any other person to assume for NESPA any other liability in connection with the sale of this NESPA product. This LIMITED WARRANTY shall not apply to this NESPA product or any part thereof which has been subject to accident, negligence, alteration, abuse or misuse. NESPA makes no warranty whatsoever with respect to accessories or parts not manufactured by NESPA.**

**The term "ORIGINAL PURCHASER-USER" as used in this LIMITED WARRANTY shall be deemed to mean that person for whom the NESPA product is originally installed.**

**The LIMITED WARRANTY provided herein and the obligations and liabilities of NESPA hereunder are exclusive and are in lieu of, and buyer and original PURCHASE-USER hereby waive all other remedies, warranties, guarantees or liabilities, expressed or implied, arising by law or otherwise (including without limitation and obligations of NESPA with respect to fitness, merchantability, and consequential damages) or whether or not occasioned by NESPA'S negligence.**

**This LIMITED WARRANTY shall not be extended, altered or varied except by a written instrument signed by NESPA and original PURCHASER-USER.**